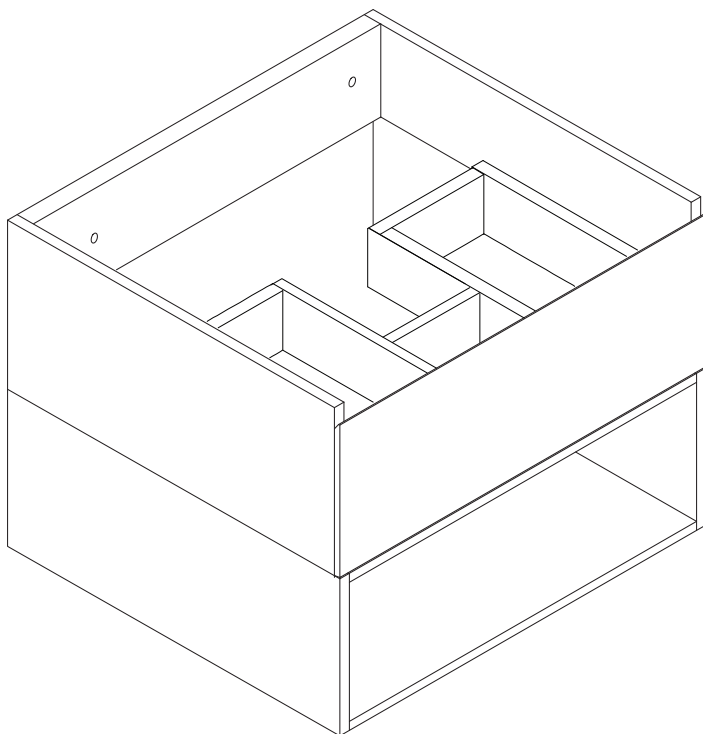


CHATSWORTH

Wall Hung Vanity Unit



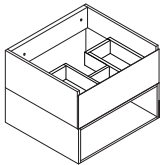
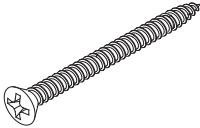

Fitting Instructions

Please follow them carefully and
leave this manual with end user

Before you begin:

1. **We recommend that this product is installed by a qualified tradesperson**, Victorian Plumbing Ltd. accept no liability for products incorrectly installed or any damage to the floor, walls, plumbing, vanity cabinet, sink, counter top, or personal injury during installation.
2. **Check the chosen wall space for any pipes/cables prior to drilling**
3. **We recommend that Wall Mounted Vanity Units must be fastened to a load bearing wall. Check the type of wall you are fixing into and use suitable fixings.**
4. Observe all local plumbing and building codes & regulations.
5. Ensure the incoming mains water supply is switched off prior to commencing the installation.
6. For the following instructions, it is assumed that the in-wall/floor plumbing has already been prepared.
7. Unpack the product then read these instructions before proceeding. Inspect the product for damage. If any damage is found, contact our Customer Relations team.

Items Included:

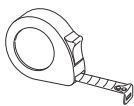
No.	Description	Picture	Qty
A	Cabinet		1
B	Screw		2
C	Rawl Plug		2

Tools Required (Not Included):

Ensure the appropriate PPE is used during installation



Pencil



Tape Measure



Drill



Screw Driver



Spirit Level



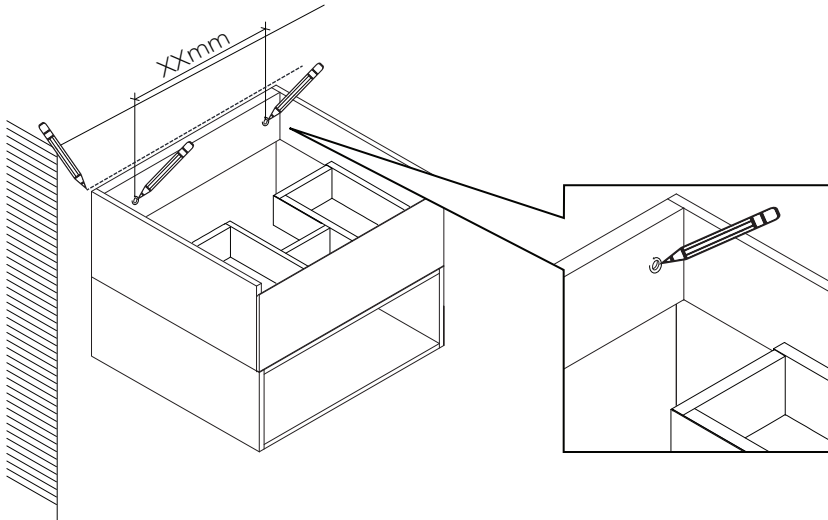
Silicone

Installation

Diagrams are for illustration purposes only. Your Vanity Unit may superficially differ from these drawings however the installation guide steps still apply.

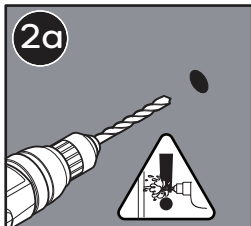
Step 1:

- Set the 'Cabinet' (A) at the desired height, then make a mark across the top of the cabinet to the wall (allowing enough space for the thickness of the sink/worktop).
- While holding the 'Cabinet' mark the pre-drilled holes at the back of the plinth to the wall. Ensure the markings are correctly spaced apart.



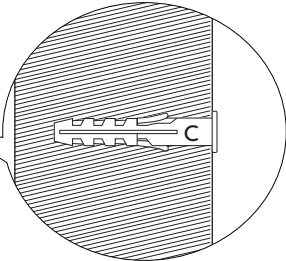
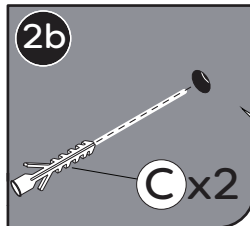
Step 2:

- Place the 'Cabinet' to one side. Using an appropriate sized drill bit, carefully drill the marked positions in the wall then insert the 'Rawl Plugs' (C).



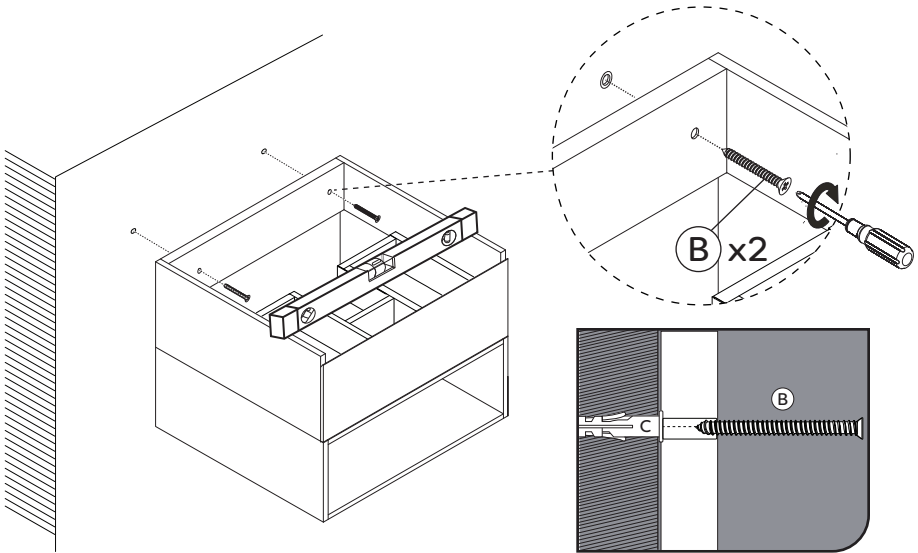
Warning:

Check the chosen wall space for any pipes/cables prior to drilling!



Step 3:

- Place the 'Cabinet' back onto the wall, ensuring the cabinet is stable. Using the 'Screws' (B) provided, secure the unit to the wall by screwing into the 'Rawl Plugs'. Ensure the 'Cabinet' is level using a spirit level.

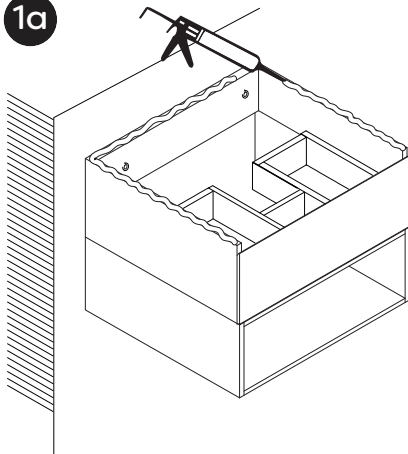


Basin Installation (Not Included)

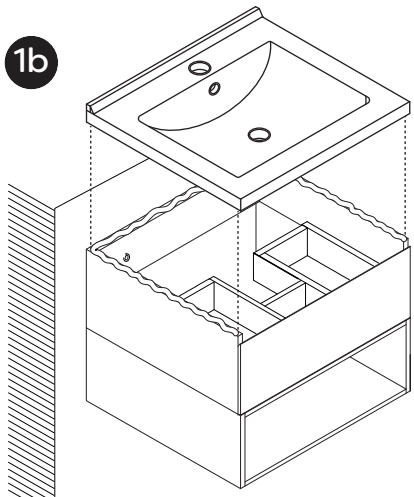
Step 1:

- For convenience, install the waste and tap (Not Included) onto the sink before moving on.
- Pipe a fine bead of good quality silicone sealant around the top edge of the 'Cabinet' and place the 'Basin' over the 'Cabinet'.

1a

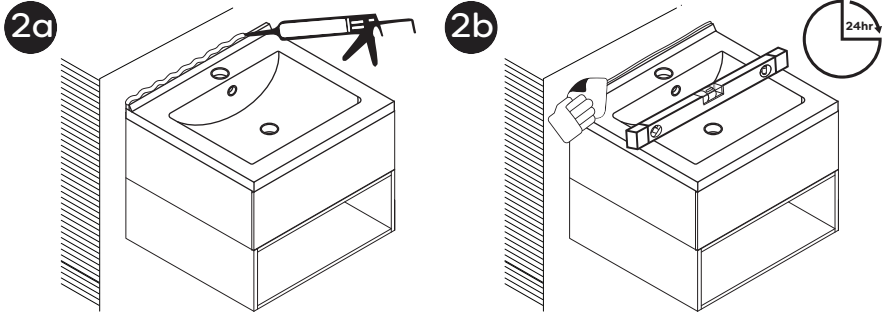


1b



Step 2:

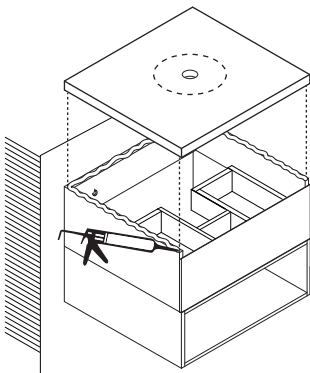
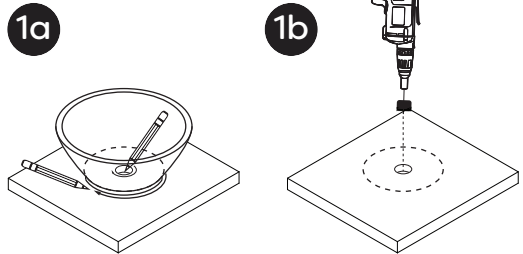
- Pipe a fine bead of good quality silicone sealant at the back to the 'Basin' to prevent water ingress. Wipe away any excess silicone with a damp cloth and allow 24 hours for the sealant to fully dry. Ensure all parts are level using a spirit level.



Basin & Worktop Installation (Not Included)

Step 1:

- Place your chosen 'Basin' over the 'Worktop' surface and mark the waste hole for the basin (and tap holes if applicable).
- Using an appropriately sized hole saw, carefully cut out the holes in the 'Worktop'.

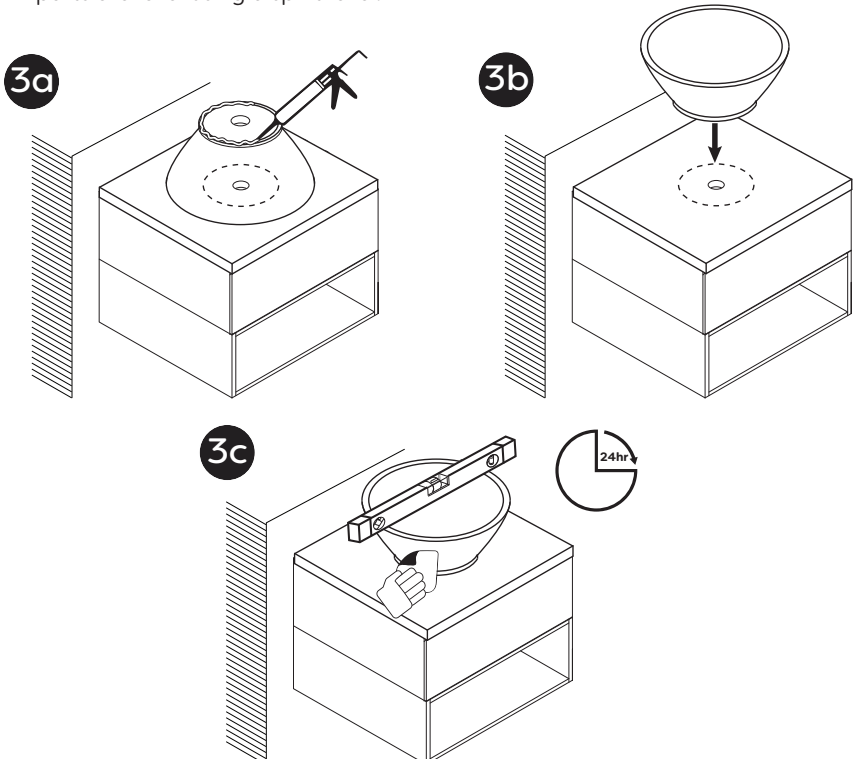


Step 2:

- Pipe a fine bead of good quality silicone sealant around the top edge of the unit.
- Place the 'Worktop' over the 'Cabinet' and slot it into place, ensuring the 'Worktop' is firmly into position when slotted. Wipe away the excess silicone with a damp cloth.

Step 3:

- Pipe a fine bead of good quality silicone sealant along the base of the 'Basin'. Place the 'Basin' onto the 'Worktop' and wipe away the excess silicone with a damp cloth and allow 24 hours for the sealant to fully dry. Ensure that all the parts are level using a spirit level.



Cleaning and Maintenance:

Drawers, and Runners:

These should be wiped out with a damp soapy cloth and wiped dry with a soft cloth as necessary. The roller runners and hinges are lubricated and should not be cleaned with a degreasing agent as this will affect the action of the moving parts. Never lean on partially or fully opened drawers in order to gain access to the units. The hinges are specified to adequately support the weight of the drawer, plus small additional weights such as wire accessories. It is advised that once the vanity unit has been installed you should check every six months that all screws on the hinges are tight.

Please Note: Unit is water resistant, but not waterproof. All spillages and splashes should be wiped dry, failure to do so may shorten the life expectancy of the product and invalidate any guarantees.

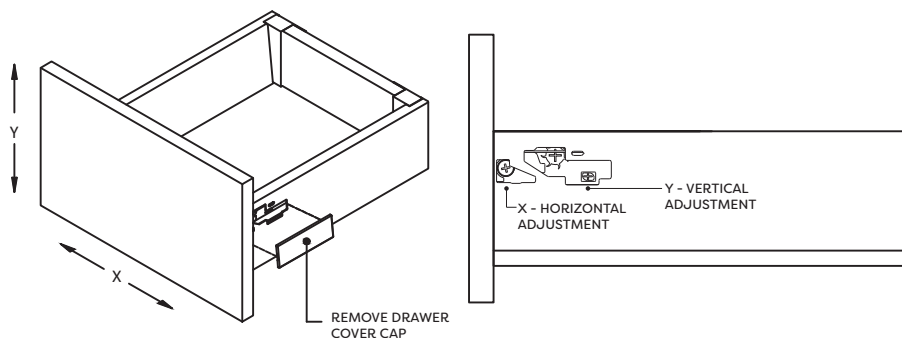
Recycling and Disposal:

Please recycle the packaging in accordance with your local government regulations on waste handling and follow the same advice at the end of the products life.

Furniture Installation

This Instruction covers a variety of topics to help with your installation. Drawer Box Adjustment and Wall Hanging. Diagrams are for illustration purposes only. Your Vanity Unit may superficially differ from these drawings however the installation guide steps still apply.

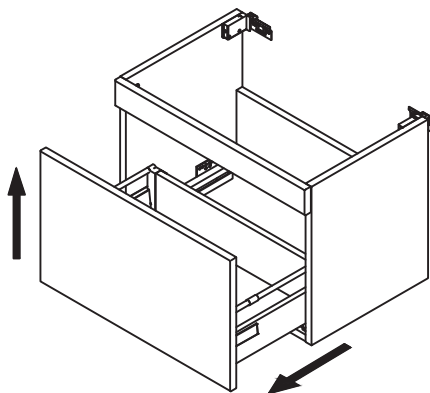
Drawer Box Adjustment:



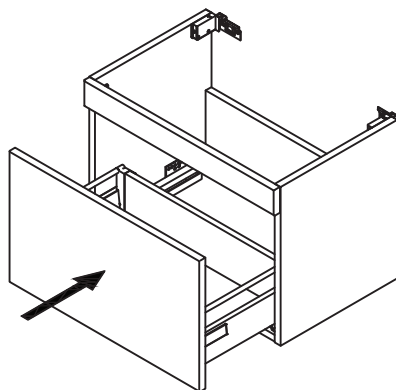
Remove and Re-fit Drawer

- Remove the drawer from the cabinet prior to fitting the unit to the wall. Pull out the drawer to its full extension and gently lift the drawer box upwards until it disengages from the runner.
- To re-fit the drawer, fully extend the drawer runners and locate drawer box onto runners. Push the drawer box fully in until you hear a 'click'. The drawer should now be correctly located onto the runners.

Remove Drawer



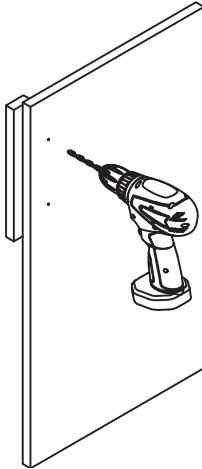
Re-Fit Drawer



Door Drilling & Hinge Adjustment

- Some doors are supplied non-drilled for the handles/knobs so that the end user can create the exact look that they want to achieve. Select your desired handle position. Always measure twice before drilling to make sure that the handles will be in the correct position. Check that the hinges and internal components are not in the way of where the handles will be drilled.
- Using an appropriately sized drill bit, drill through the back of the door into a scrap piece of wood to help prevent splitting.

NOTE: DRILLED DOORS CANNOT BE RETURNED.



HINGE ADJUSTMENT

(Adjustment applies when door is mounted)

