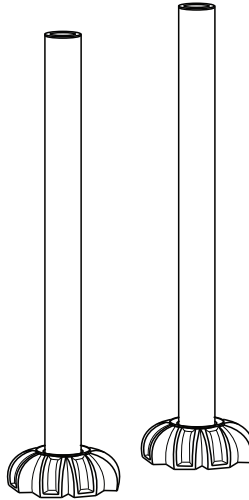


CHATSWORTH

Pipe Kit for Radiator Valves



Fitting Instructions

Please follow them carefully and
leave this manual with end user

Items Included:

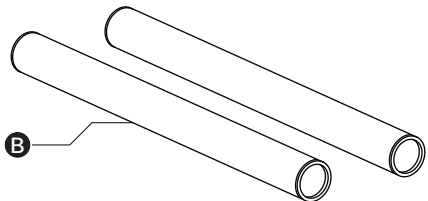
- A. Cover Plates (x2)
- B. Brass Pipes (x2)



Part Recommended (Not Included):



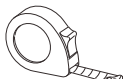
Compression Coupling



Tools Required (Not Included):



Adjustable Wrench



Tape Measure



Pipe Cutter

Diagrams are for illustration purposes only. Your Pipe Kit may superficially differ from this drawing however the installation guide steps still apply.

Recycling and Disposal:

Please recycle the packaging in accordance with your local government regulations on waste handling and follow the same advice at the end of the products life.

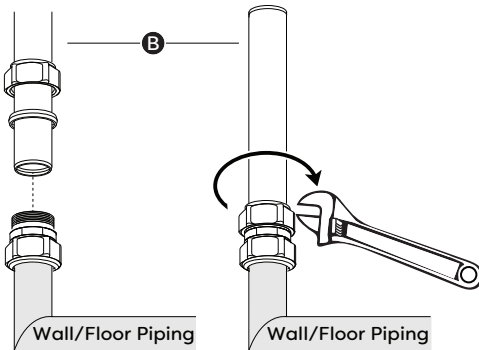
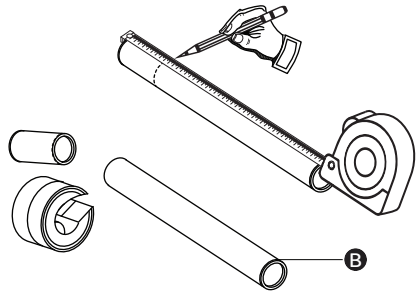
Before you begin:

1. **We recommend that this product is installed by a qualified tradesperson**, Victorian Plumbing Ltd. accept no liability for products incorrectly installed or any damage to the floor, walls, plumbing, pipe kit or personal injury during installation.
2. The tubes are water carrying and designed to be connected to the copper pipe below the floor. Only use compression fittings when connecting to these pipe kits. Not suitable for solder fittings or push-fit fittings.
3. Observe all local plumbing and building codes & regulations.
4. Ensure the incoming mains water supply is switched off prior to commencing the installation.
5. For the following instructions, it is assumed that the in-wall/floor plumbing has already been prepared.
6. Unpack the product then read these instructions before proceeding. Inspect the product for damage. If any damage is found, contact our Customer Relations team.

Installation:

Step 1:

Measure and establish the required length of the pipe needed then make a mark. Using a 15mm Pipe slice, cut the excess length ensuring a clean cut.



Step 2:

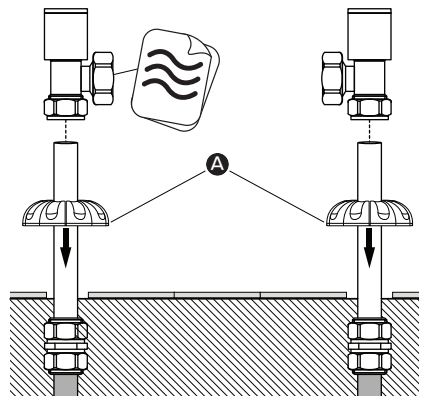
Remove the nut and olive from the compression coupling in the wall/floor (flow & return system), then feed the pipe into the compression coupling.

Secure the pipe to the wall/floor piping by screwing the compression nut, tighten with a adjustable wrench.

Step 3:

Slide the cover plates over the pipes then proceed to fit the radiator valves and radiator to the pipe kit, refer to their respective instructions for guidance if needed.

Turn on the central heating, open the radiator valves, bleed the radiator and bring to full heat. Once the radiator has reached maximum temperature wait another 5 minutes, check all joints and connections for any leaks



Diagrams are for illustration purposes only. Your pipe kit may superficially differ from this drawing however the installation guide steps still apply.