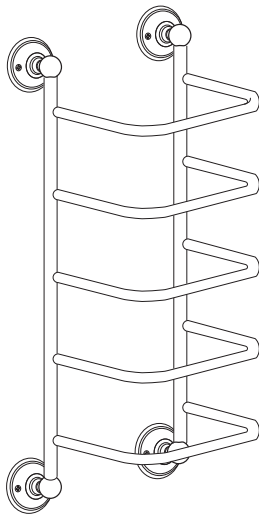


# CHATSWORTH

## Traditional Towel Stacker



### Fitting Instructions

Please follow them carefully and  
leave this manual with end user

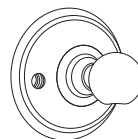
#### Items Included:



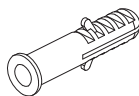
Vertical Rail  
(x2)



Horizontal  
Rail (x5)



Wall Bracket  
(X4)



Rawl plugs  
(x8)



Fixing screws  
(x10)



Wall screws  
(x8)

#### Tools Required (Not Included):

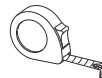
\*Ensure the appropriate PPE is used during installation\*



Screw  
driver



Drill



Tape  
Measure



Spirit Level

#### Recycling and Disposal:

Please recycle the packaging in accordance with your local government regulations on waste handling and follow the same advice at the end of the products life.

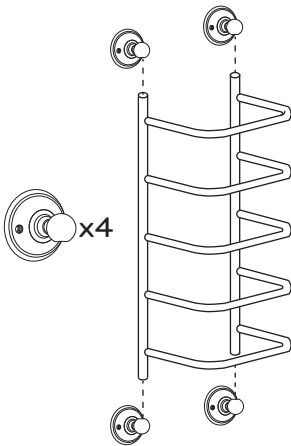
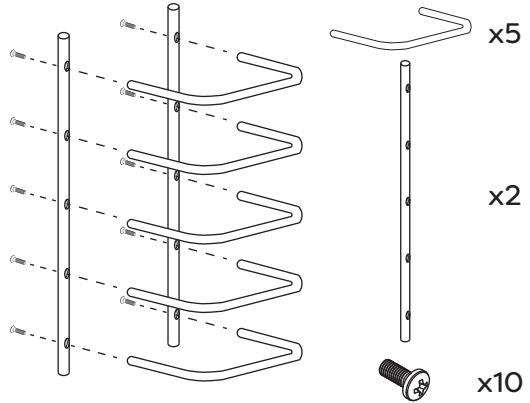
## Before you begin:

1. **Check the chosen wall space for any pipes/cables prior to drilling**
2. Unpack the product then read these instructions before proceeding. Inspect the product for damage. If any damage is found, contact our Customer Relations team.
3. Make sure that all components are present prior to installation.

## Installation:

### Step 1:

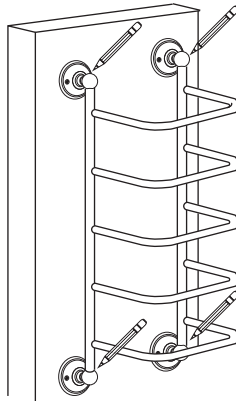
Using screw driver, attach the horizontal rails to the vertical rails using the fixing screws provided.



### Step 2:

Place the wall brackets over the top and bottom of the vertical rails.

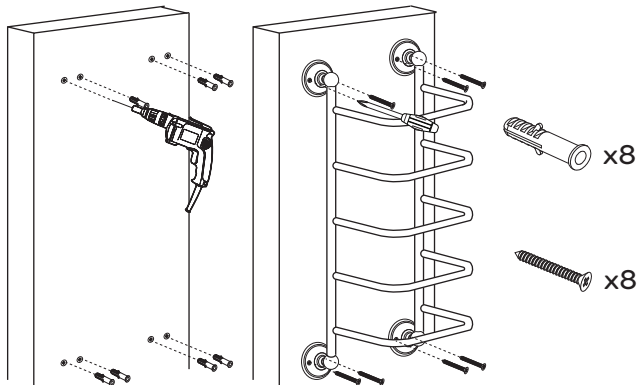
Hold the towel stacker up against your chosen wall, then mark the positions ready for drilling.



### Step 3:

Carefully drill the holes in the wall using the appropriate sized drill bit, then insert the rawl plugs into the holes.

Secure the towel stacker to the wall using the wall screws provided.



Diagrams are for illustration purposes only. Your towel stacker may superficially differ from this drawing however the installation guide steps still apply.