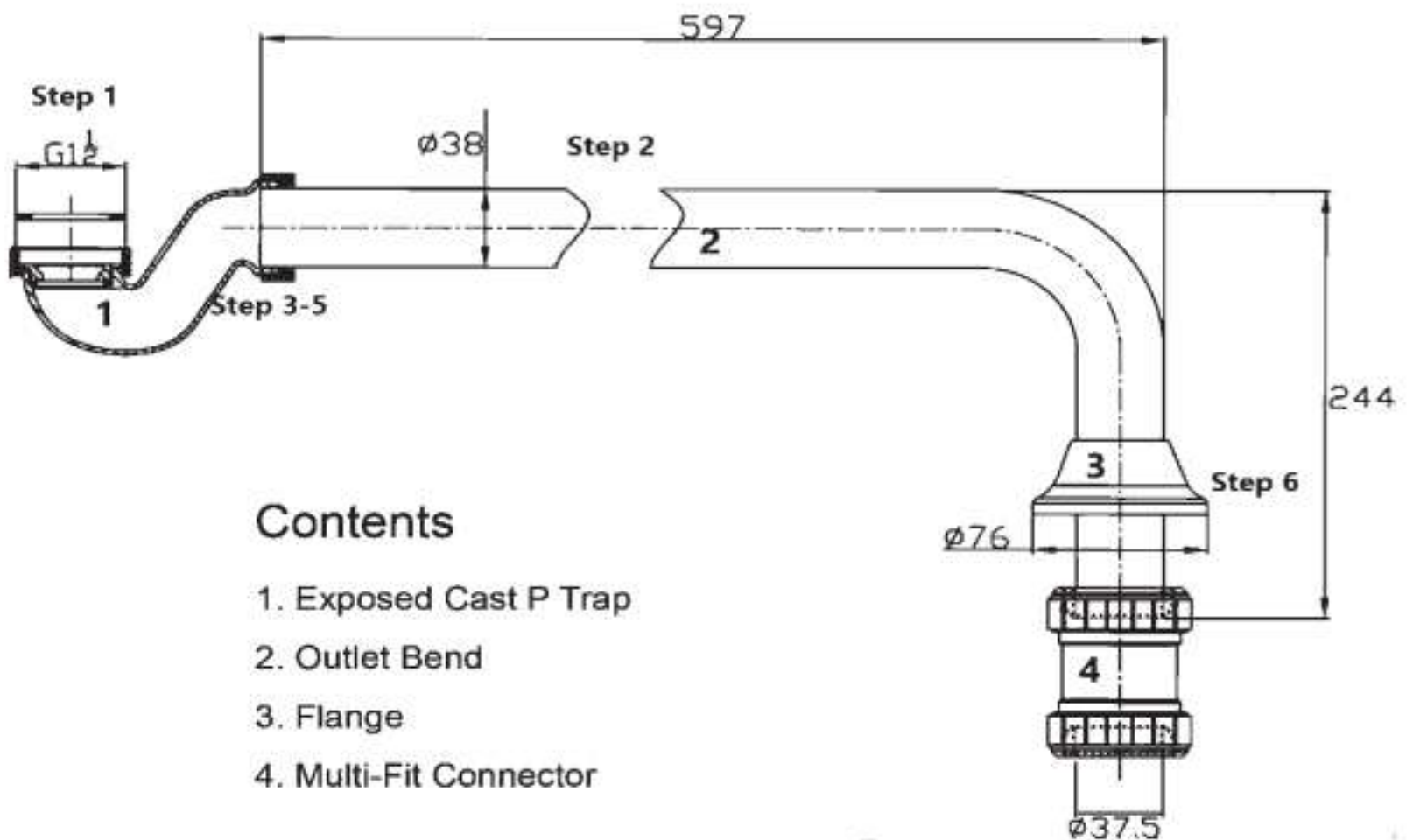


# Assembly instructions

## Installation.

1. Connect trap to the bath waste, ensuring the washer is in place.
2. Cut the outlet bend to the required length (for wall or floor outlet).
3. Slide the free nut onto the outlet bend, flanged side first.
4. Place the washer & rubber seal onto the outlet pipe.
5. Tighten the free nut onto the trap.
6. Fit the flange over the short end of the outlet bend.
7. Check for leaks.
8. Push the flange against floor or wall.



## Contents

1. Exposed Cast P Trap
2. Outlet Bend
3. Flange
4. Multi-Fit Connector



Thank you for purchasing this product. Please follow these care instructions to ensure your product retains its high quality finish

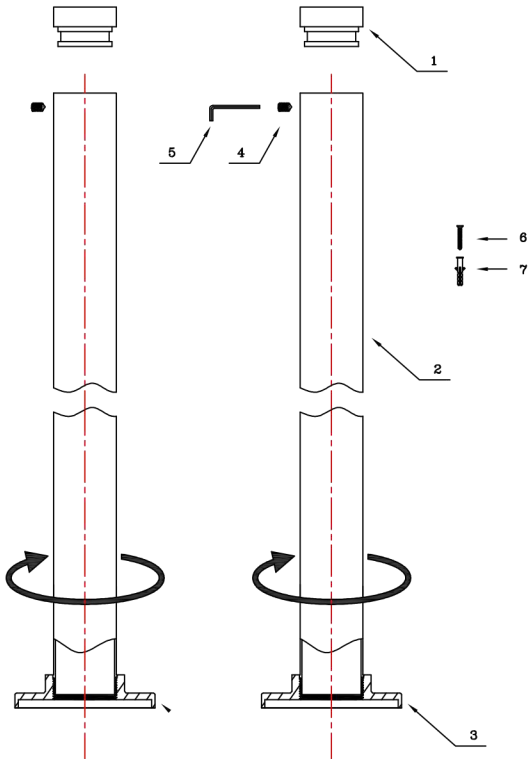
**- and retain this leaflet for future reference.**

1. Identify all components are present prior to installation
2. Place the flange (3) in the predetermined position and mark the position of the screw hole and check whether there is a wire or water pipe in it.

Note that the center distance between the two flange (3) should be the same length as the two intake pipe centers of the faucet.

3. Drilling holes with electric drilling machine put plastics pipe (7) into holes
4. Place the flange (3) in the punched hole and install the screw (6) then locked
5. Install the straight pipe (2) into flange (3) and tighten them
6. Rotate the grub screw (4) with the hexagonal wrench (5) and remove the G3/4 connector(1)
7. Install the G3/4 connector (1) on the inlet pipe thread of the faucet
8. Connect the inlet pipe, place the G3/4 connector (1) on the straight pipe (2) together with the faucet, and then lock the screw (4)
9. Please check all components whether there is leakage.

1. G3/4 connector x 2pcs
2. Straight pipe x 2pcs
3. Flange x 2pcs
4. Grub screw x 2pcs
5. Hexagon wrench x 1pcs
6. Screw x 6pcs
7. Plastic pipe x 6pcs



# Installation Instructions

## Installation.

1. Identify all components are present prior to installation.
2. Remove screw (2) form flange (3), then remove the flange from the waste body (6).
3. Secure the waste body (6) against the underneath of the bath with the sealing washer (5) in position. Use the flange (3) with the rubber washer (4) between the flange & the bath, securing the assembly with screw (2).
4. It is recommended that a silicon sealant be applied to all sealing faces of the washer (4).
5. Replace screw (2). Do Not over tighten.
6. Use the conical washer (7) & nut (8), in the order shown, to hold the tube (9) into the waste body (6).
7. Use the same process to assemble the overflow elbow (10) to the tube (9).
8. Secure the overflow elbow (10) to the bath using the sealing washer (11) & the overflow washer (12), positioned either side of the bath surface. Then place the overflow (13) o top of the overflow washer (12) & secure the assembly using screw (14).
9. It is recommended that a silicon sealant be applied to both sealing faces of washer (12).
10. Tighten screw (14). (DO NOT OVER TIGHTEN).
11. Check all joints & connections for leaks.
12. Please be advised that no abrasive agents or materials or harsh chemicals can be used for cleaning this product, otherwise warranty will be void. Please clean with warm soapy water, use soft cloth only.
13. The overflow pipe can be cut to size if need.

### Components

1. Plug
2. Screw
3. Flange
4. Rubber washer
5. Sealing washer
6. Waste body
7. Conical washer
8. Nut
9. Chrome tube (over sizes)
10. Overflow elbow
11. Overflow seal washer
12. Washer
13. Overflow
14. Fixing screw

