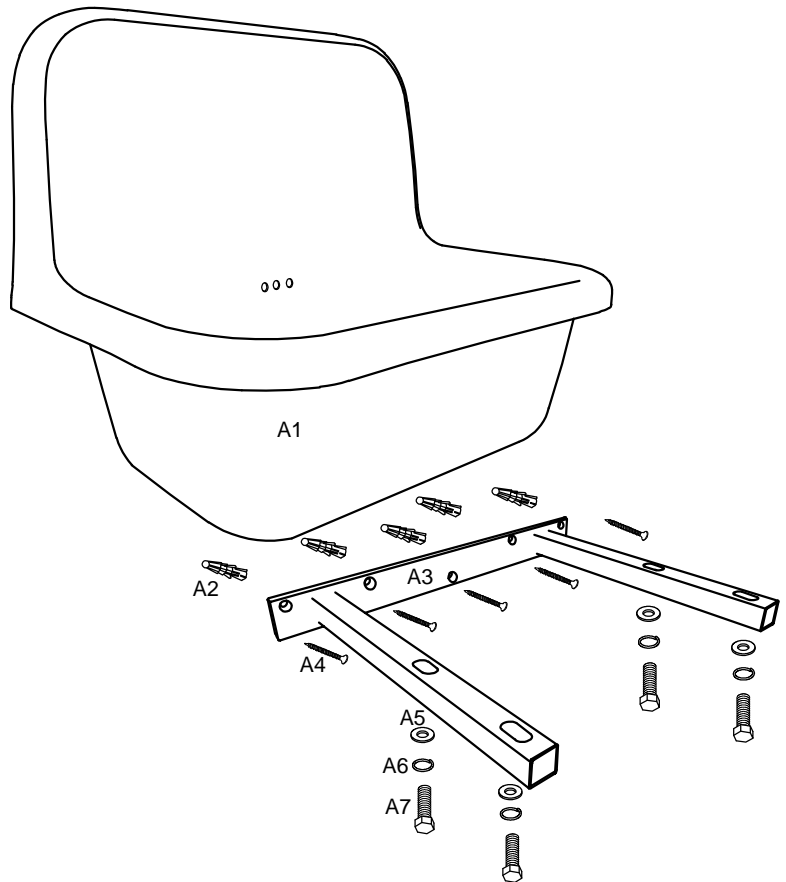


Parts List

No.	Parts Name	QTY
A1	Wash Basin	1
A2	Plastic Wall Plug	5
A3	Wall Bracket	1
A4	Tapping Screws	5
A5	Washer	4
A6	Spring Washer	4
A7	Nut	4



Installation Guides

Wall Hung Option:

1. Check parts are not missing
2. Position the bracket on the wall, measure and mark the holes on the wall
3. Use proper drill bit to drill holes, then insert the wall plugs(A2)
4. Place the wall bracket(A3) on the wall, fix the tapping screws(A4)
5. Put the basin on the wall bracket, align the holes underneath the basin and the holes on the bracket.
6. Insert the nut(A7) with spring washer(A6) and washer(A5) to the hole. Use a spanner to tighten the nuts.
7. Apply silicone around the basin against the wall, do not use within 24 hours after silicone is done.

Countertop Option:

1. Measure and drill a waste hole on the countertop
2. Put the basin on the countertop
3. Apply silicone around the basin against wall and countertop, do not use within 24 hours.