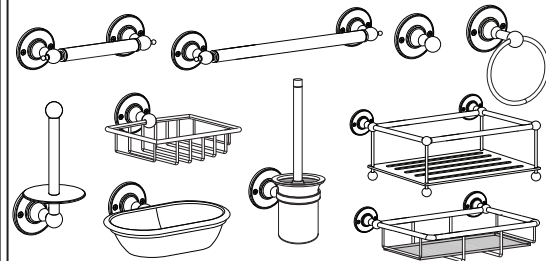


CHATSWORTH

Wall Mounted Universal Accessories



Before you Begin:

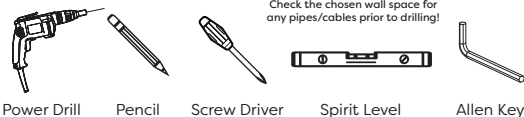
- Unpack the product then read these instructions before proceeding. Inspect the product for damage. If any damage is found, contact our Customer Relations team.
- Diagrams are for illustration purposes only, your accessories may differ from these drawings however the illustration steps still apply.

Tools Required:

Ensure the appropriate PPE is used during installation



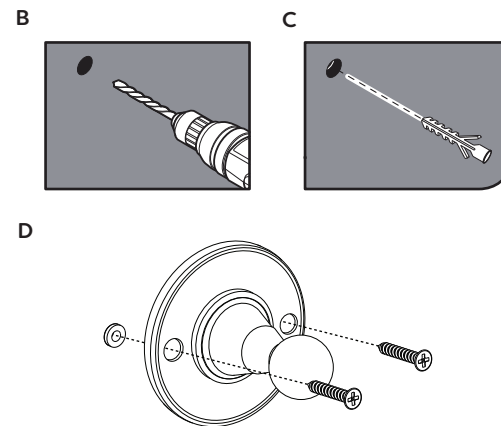
Warning:
Check the chosen wall space for any pipes/cables prior to drilling!



V1.10.24

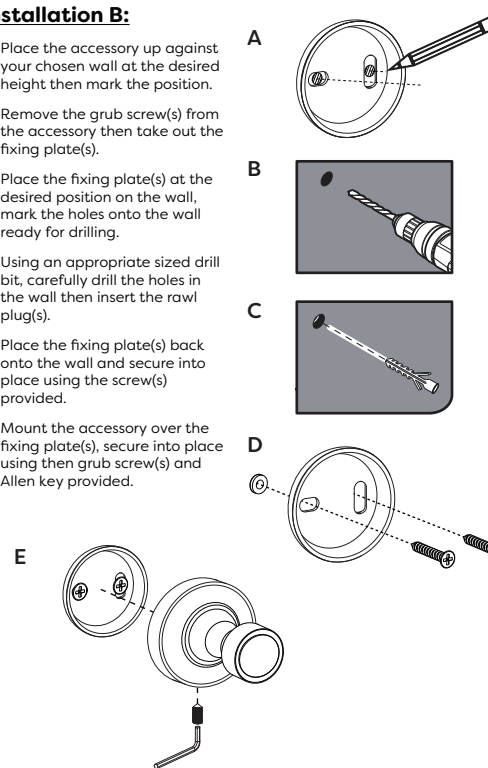
Installation A:

- Place the accessory up against your chosen wall at the desired height, mark the holes onto the wall ready for drilling.
- Using an appropriate sized drill bit, carefully drill the holes in the wall then insert the rawl plug(s).
- Place the accessory back onto the wall and secure into place using the screw(s) provided.

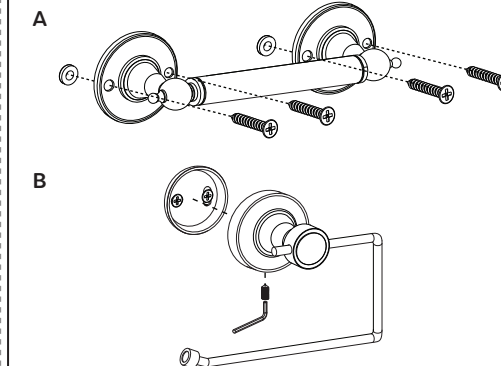


Installation B:

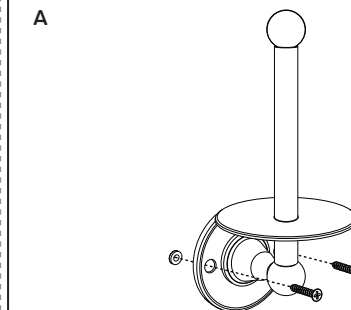
- Place the accessory up against your chosen wall at the desired height then mark the position.
- Remove the grub screw(s) from the accessory then take out the fixing plate(s).
- Place the fixing plate(s) at the desired position on the wall, mark the holes onto the wall ready for drilling.
- Using an appropriate sized drill bit, carefully drill the holes in the wall then insert the rawl plug(s).
- Place the fixing plate(s) back onto the wall and secure into place using the screw(s) provided.
- Mount the accessory over the fixing plate(s), secure into place using then grub screw(s) and Allen key provided.



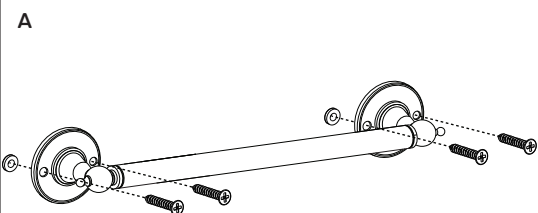
Toilet Roll Holder:



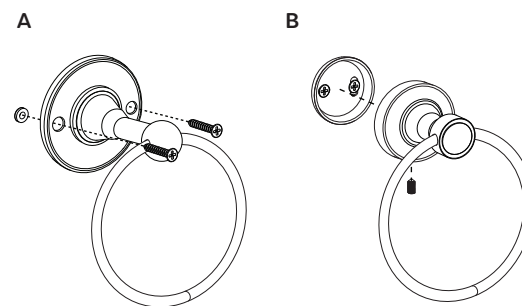
Spare Toilet Roll Holder:



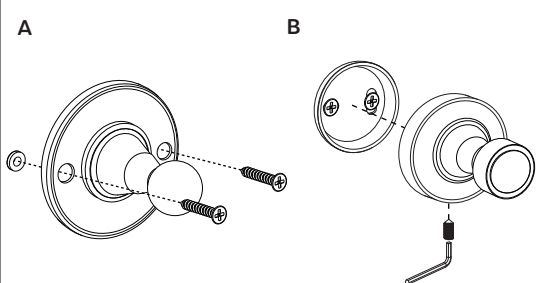
Towel Rail:



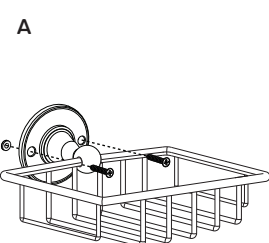
Towel Ring:



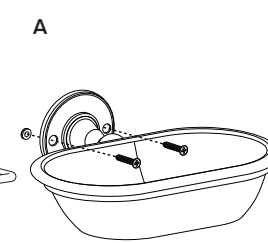
Robe Hook:



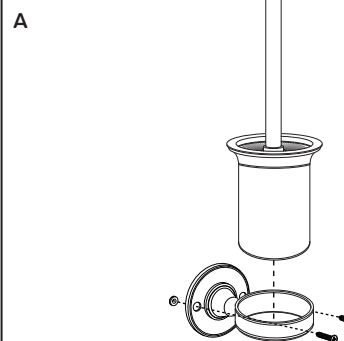
Soap Basket:



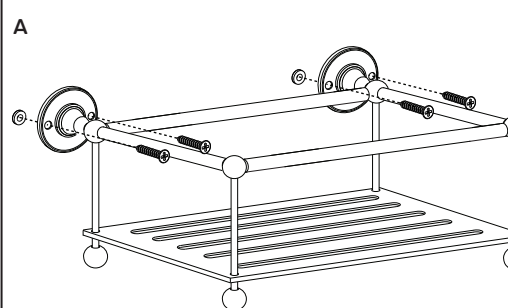
Soap Dish:



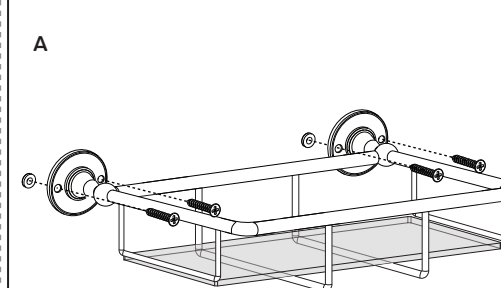
Toilet Brush:



Bottle Rack:



Glass Shelf



Cleaning and Aftercare:

- Warning:** Do not use abrasives, scourers, bleach or any type of chemical cleaning solution when cleaning the accessory. It is recommended to use warm soapy water and a clean damp cloth.

Recycling and Disposal:

- Please recycle the packaging in accordance with your local government regulations on waste handling and follow the same advice at the end of the products life.

For more information visit:

www.victorianplumbing.co.uk