

Bottom Fixing Toilet Seat Installation Instructions

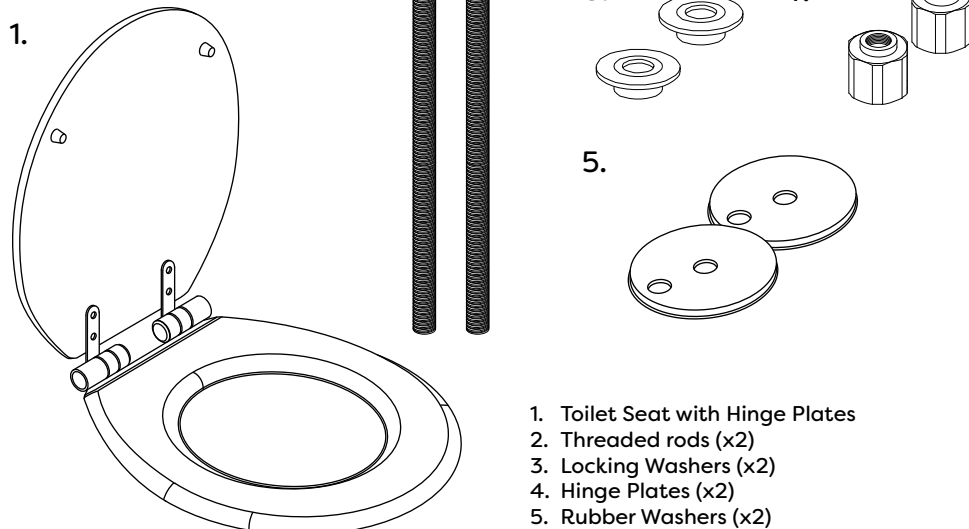
Before you Begin:

- This instruction shows how to fit the toilet seat. Ensure the toilet seat is the correct size in conjunction with your toilet pan.
- Unpack the product then read these instructions before proceeding. Inspect the product for damage. If any damage is found, contact our Customer Relations team.

①

Make sure that all components are present prior to installation.

Fitting List:



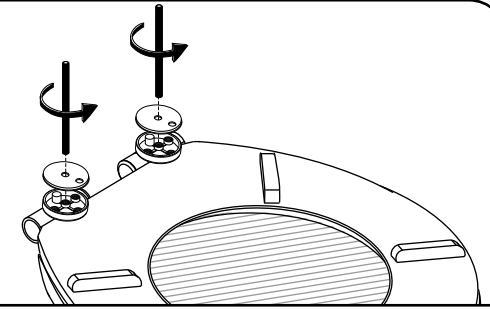
Note: Diagrams are for illustration purposes only. Your toilet seat may superficially differ from this drawing however the installation guide steps still apply.

Cleaning and Aftercare:

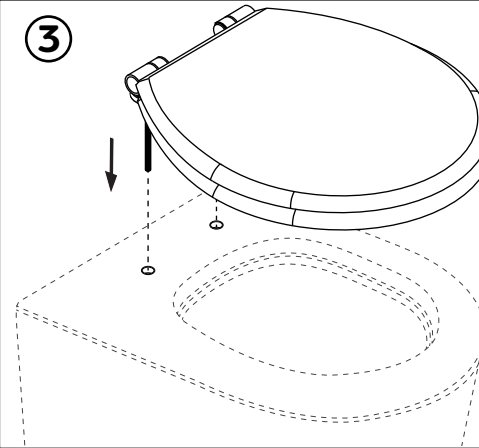
- **Warning:** Do not use abrasives, scourers, bleach or any type of chemical cleaning solution containing bleach when cleaning the toilet seat. It is recommended to use warm soapy water and a clean damp cloth.
- If you use bleaches and strong cleaning solution in the pan. **DO NOT** leave the seat closed as the fumes from the bleachers and cleaners may damage the finish on the seat.
- **Tighten the nuts regularly:** Check the nuts that connect the seat to the toilet bowl every few months and tighten them if necessary.
- **Avoid Standing on the lid or toilet seat :** Standing on the seat can put unnecessary stress on the bolts and hinges and may damage the seat.

②

Place the rubber washers over the hinge plates, then screw the threaded rods into the hinge plate holes on the toilet seat.



③

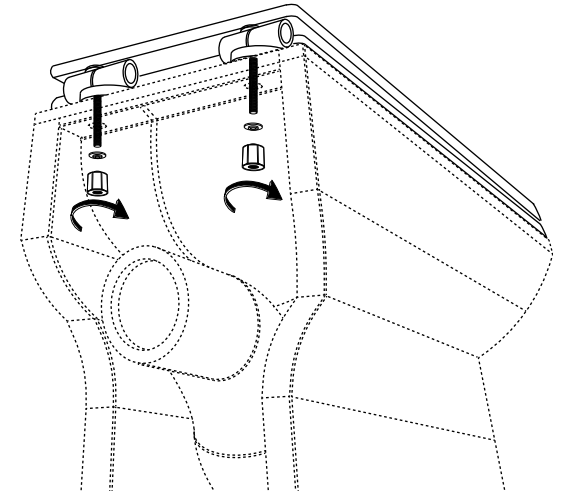


Place the toilet seat over the pan with the threaded rods fed through the fixing holes in the pan.

④

On the underside of the Pan, place the locking washer and locking nut over the threaded rods and tighten to secure into place.

Note: Before fully tightening the locking nut; adjust the toilet seat to fit the pan, then tighten the nuts.



Recycling and Disposal:

- Please recycle the packaging in accordance with your local government regulations on waste handling and follow the same advice at the end of the products life.

For more information visit: www.victorianplumbing.co.uk