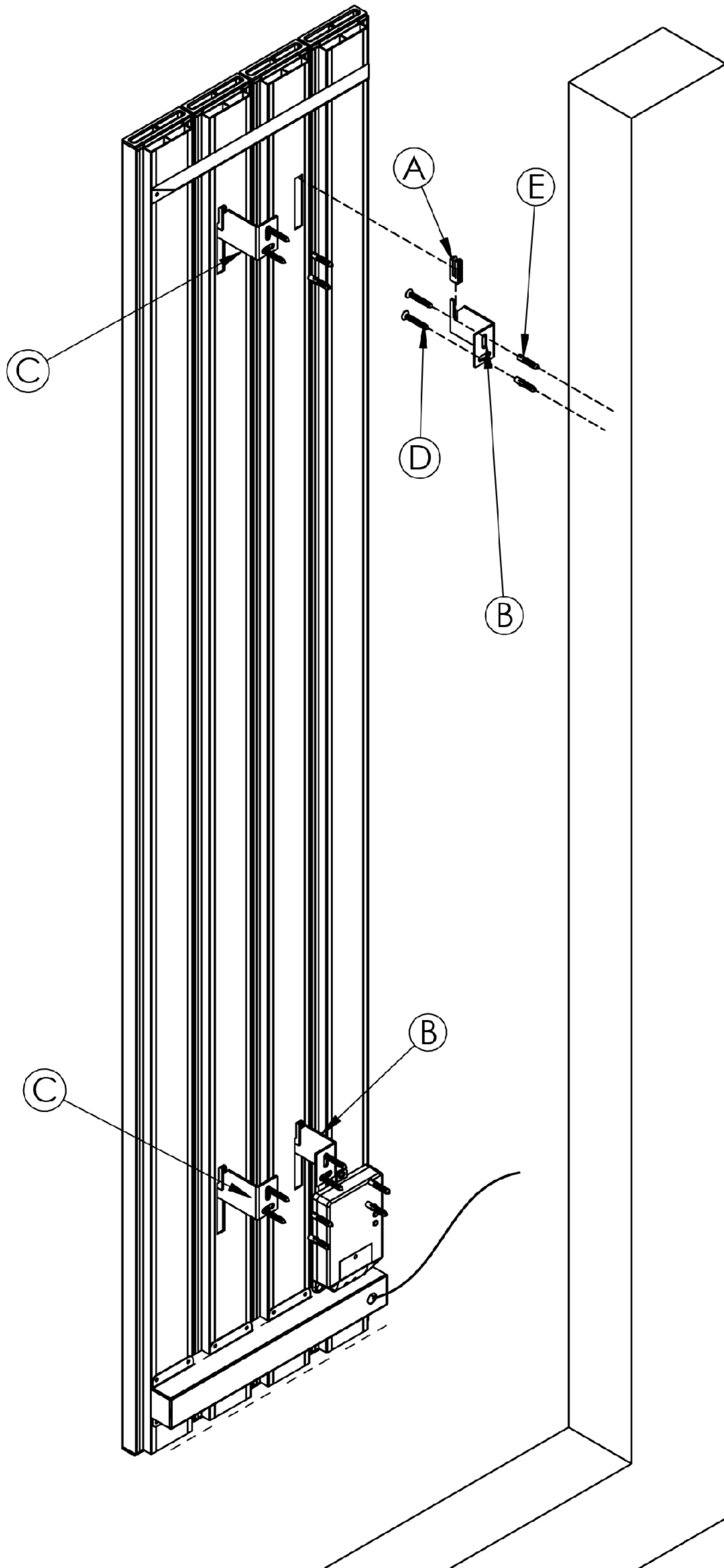






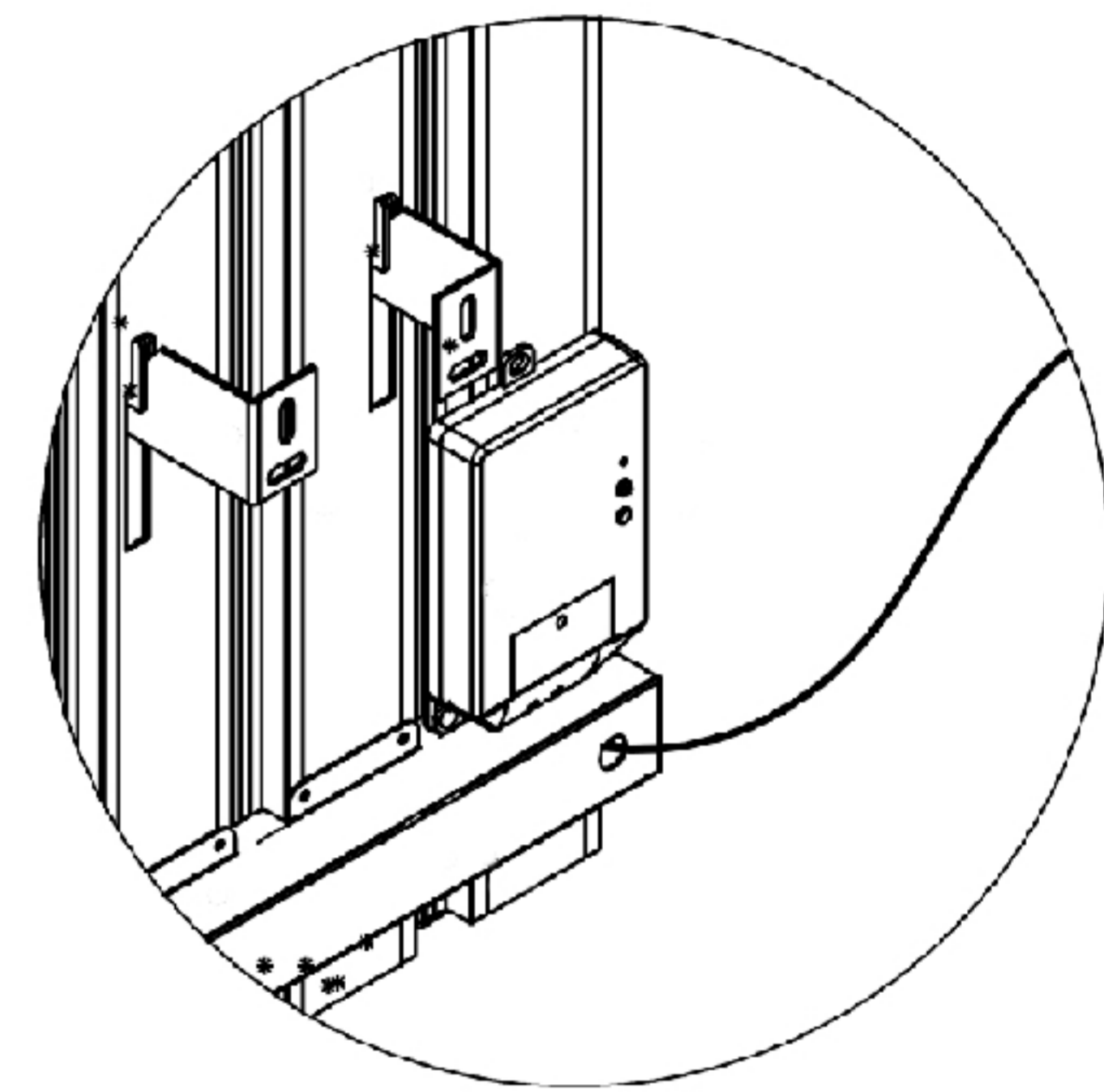


INSTALLATION MANUAL

DESIGNER RADIATOR BOREAS N



Key	Component	Qty
	A Friction Cups/Cushions	4
	B Left Bracket	2
	C Right Bracket	2
	D Screw-22x45mm	8
	E Wall Plug	8
	F Thermostat	1



Assembly Instructions

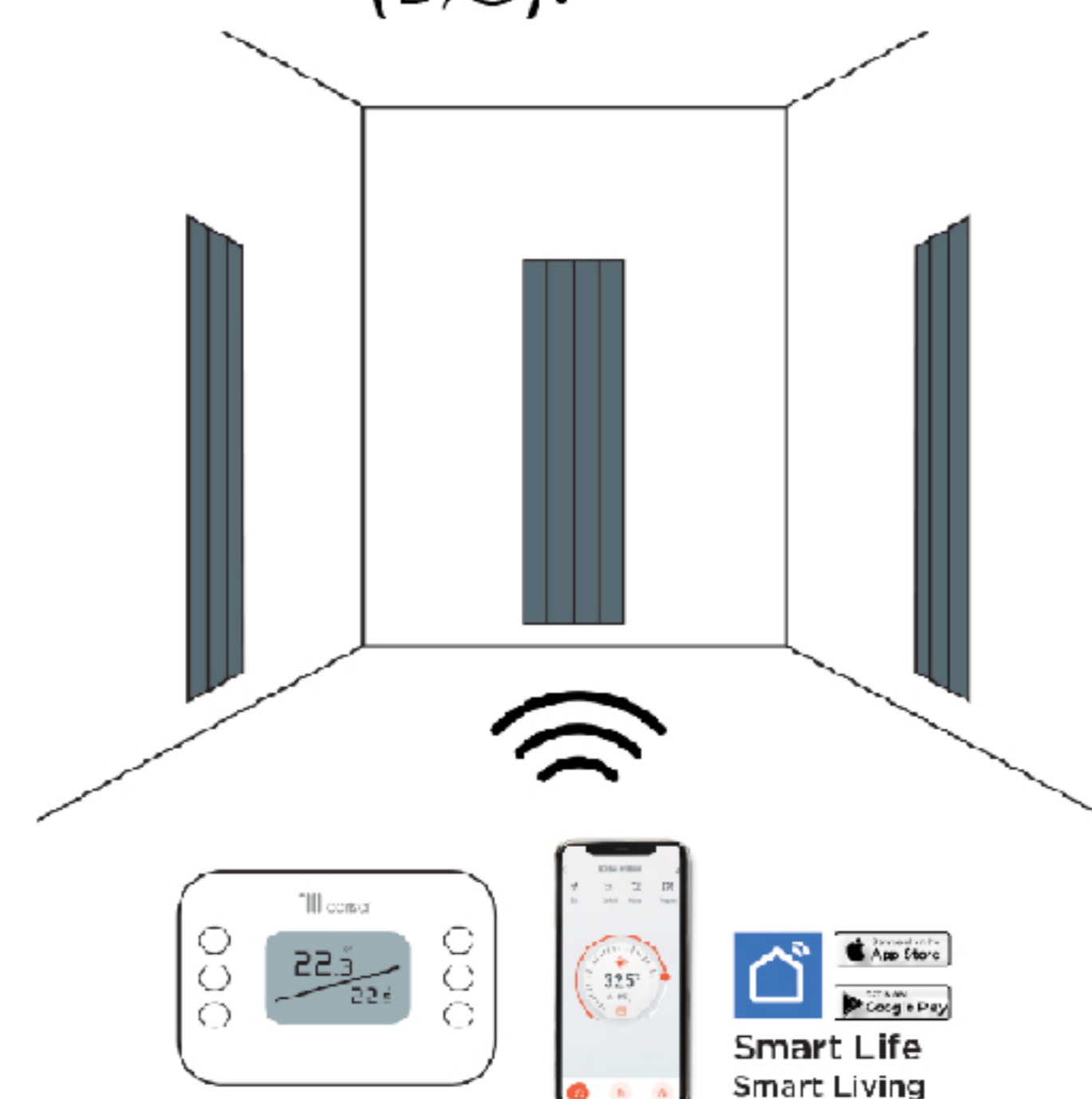
Accurately mark out bracket holes on wall using spirit level.

Drill four 8mm diameter holes for left brackets (B) and four 8mm diameter holes for right brackets(C).

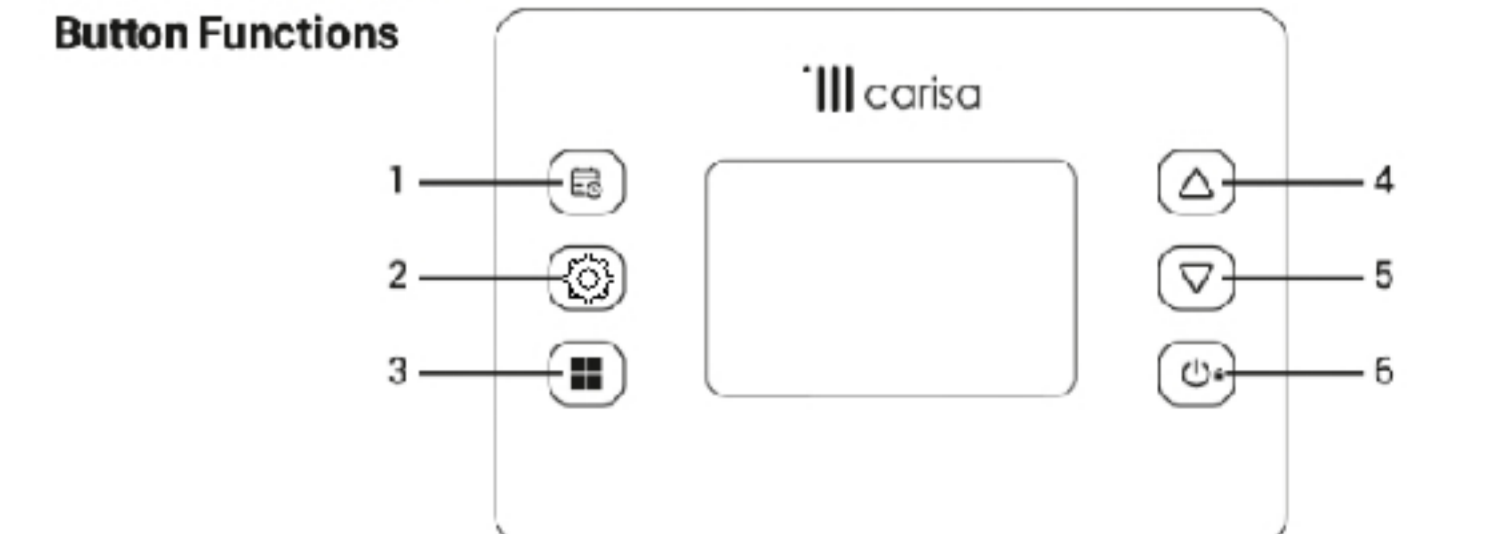
Friction cups (A) **MUST** be fitted to each mounting brackets (B,C) to suppress potential noise.

Screw brackets (B,C) into wall plugs (E) with 22mm x 45mm screws (D).

Hang radiator by sliding the bosses on the back of the radiator into brackets (B,C).



ROOM THERMOSTAT Button Functions



1	Weekly Program Button
2	Settings
3	Mode Button
4	Temperature Adjustment Button (To Increase)
5	Temperature Adjustment Button (To Decrease)
6	On/Off Button – Unlock Button