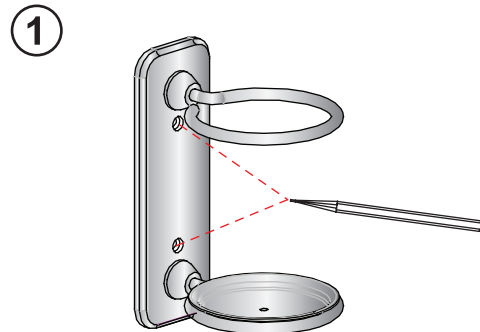
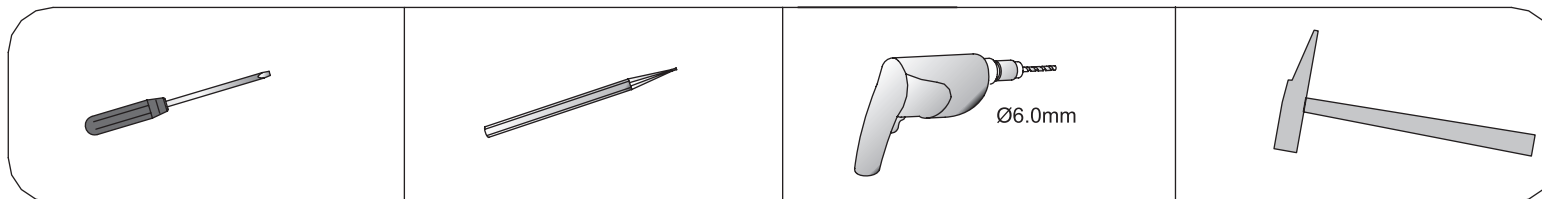
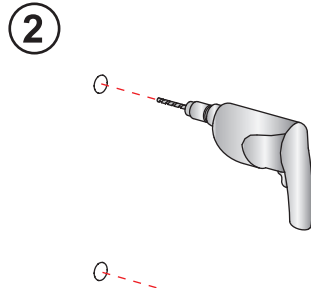


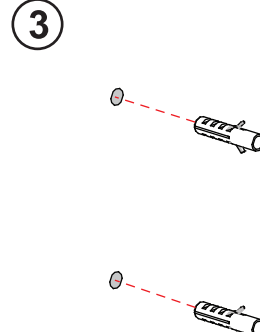
Tools required:



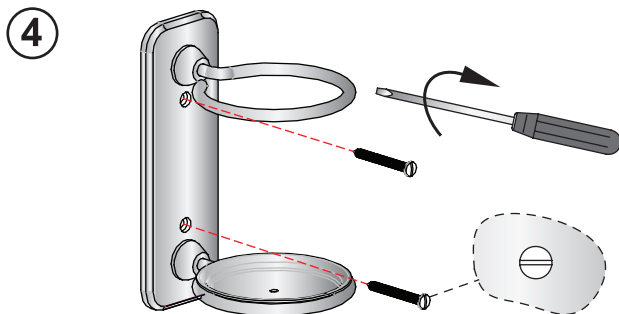
1 Determine the final installation position, mark the fixing hole positions in pencil.



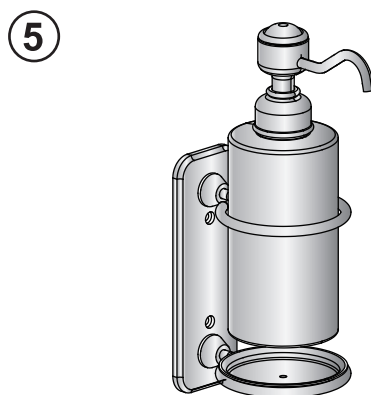
2 Using a 6mm drill bit, drill holes on the marked positions.



3 Insert the rawl plugs into the drilled holes.



4 Screw in the stainless steel screws to secure the base to the wall. Please ensure that the screw heads are parallel to the floor.



5 Insert the soap dispenser into the base.

The product is 100% brass chrome plated with polished Stainless Steel Screws.

Suggest cleaning the product surface with cleanwater or soft detergent, and then dry with soft towel.

Please do not use any detergent containing hydrochloric acid or caustic chemicals.

Avoid scratching the surface with hard objects, and do not use a coarse cloth to wipe.

The product should be installed by a professional, following the recommended installation instructions.

If soap dispenser is blocked due to dried soap we recommend to remove plastic pipe, rinse under warm water and soak handle for a few hours underneath warm water. Re-install and prime using soap.