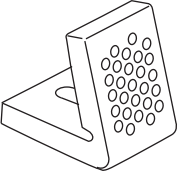
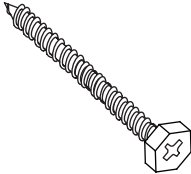
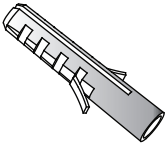
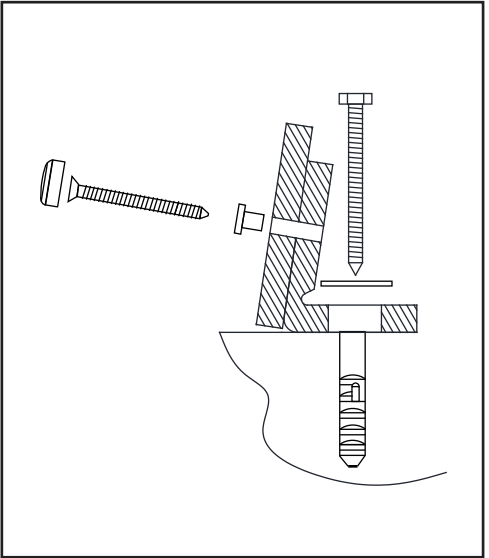

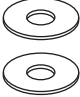


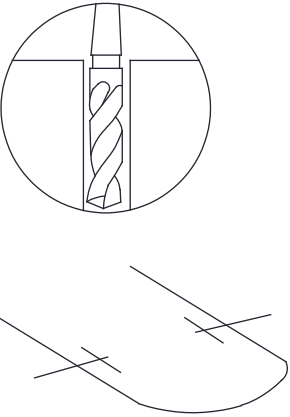


PARTS SUPPLIED:

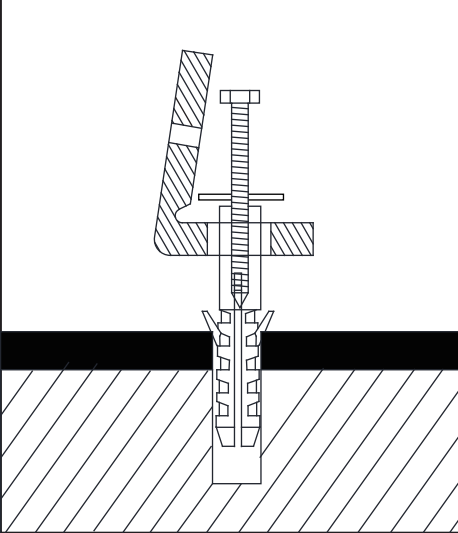
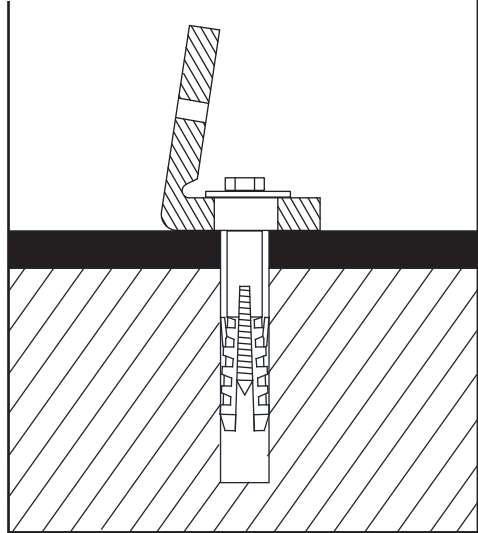
Check to make sure that all these parts are included in the package:

			
L bracket 2x	Hex head screw 2x	Wall plug 2x	
			
Screw 2x	Washer 2x	Chrome cap 2x	Plastic insert 2x

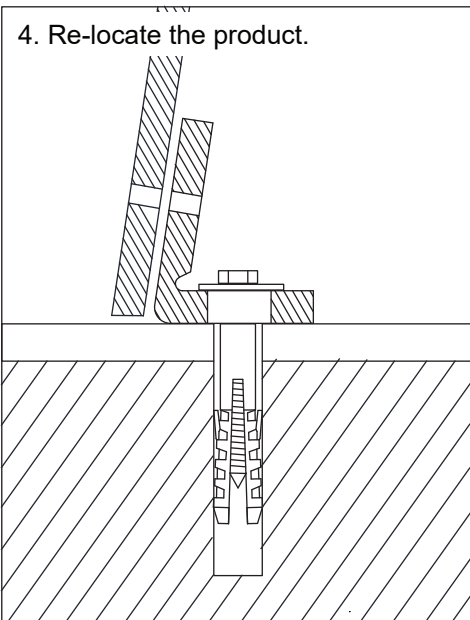


1. Place the product into position and mark the location of the fixing holes required.
 2. Remove the product and drill 10mm holes using a suitable drill bit.

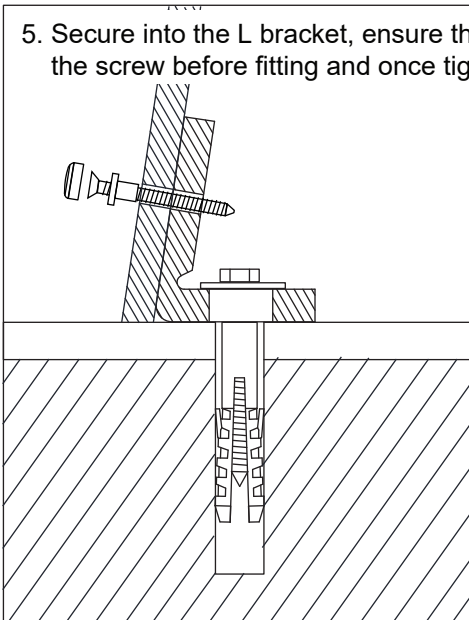
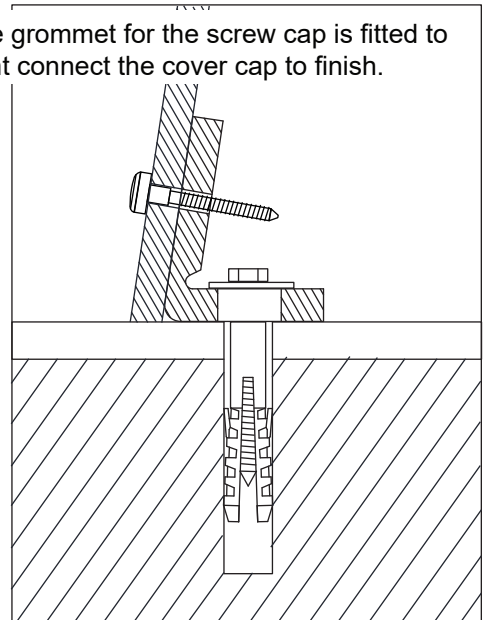
3. Secure the L bracket using the side with the single hole and tighten to the wall/floor.

4. Re-locate the product.



5. Secure into the L bracket, ensure the grommet for the screw cap is fitted to the screw before fitting and once tight connect the cover cap to finish.

FITTING INSTRUCTIONS

Please read instruction carefully before fitting the seat, and refer to care instructions for maintenance.

Place the metal plates, washers, nut retainers and fixing nuts onto the fixing bolts. Flip the nut retainer into a vertical position and insert through the pan fixing holes as shown in the right diagram.

When inserted, gently shake the pan fixing bolts so that the nut retainer turns to a horizontal position.

Lift and hold the fixing plate, and tighten the fixing bolts by hand. Slightly adjust the fixing bolts to line up with the holes in the hinges, then tighten the fixing bolts by the spanner provided, and lock the hinges by fully tightening the grub screws in the hinges.

CARE INSTRUCTIONS

The toilet seat has been coated with a durable lacquer, but still needs to be treated with care.

- Surfaces should be cleaned regularly with a soft damp cloth and mild soap.
- Do not scrub or use abrasive cleaning materials.
- Do not use bleach or cleaners containing bleach.
- Polishing of the seat surfaces should not be needed, but a wax free polish is advised as this does not smear.
- As with all toilets seats: If you use bleaches and strong cleaners in the pan, do not leave the seat closed whilst the cleaner acts on the pan– the fumes from bleaches & cleaners may destroy and/or discolour the finish on the seat.
- **IMPORTANT!** Do not stand on the lid or toilet seat; this may cause damage to it.

INSTALLATION METHOD

