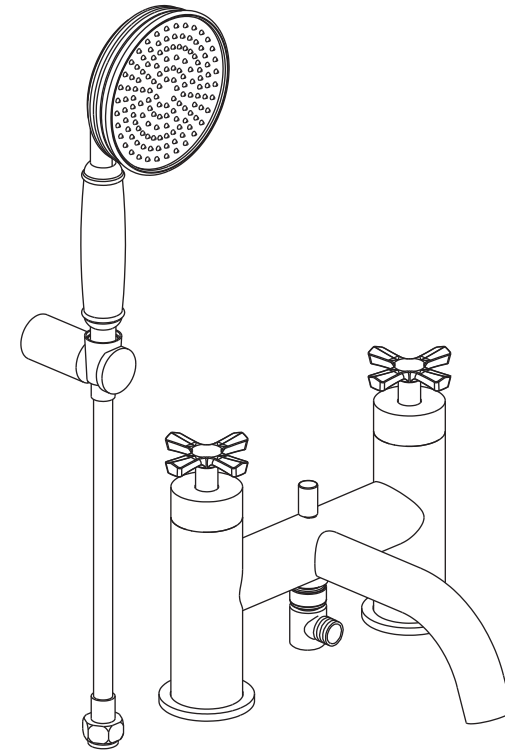


TECHNICAL DETAILS

For full technical details on all our products,
please visit our website www.burlingtonbathrooms.com

Riviera bath/shower mixer Chrome
Riviera bath/shower mixer Gold

RIV4 CHR
RIV4 GOLD



INSTALLATION INSTRUCTIONS

INSTALLATION INSTRUCTIONS

Please read these instructions carefully and keep in a safe place for further reference.

General Installation Requirement

The installation must comply with regulations of the Local Water Authority as contained in their bylaws. It will be necessary to fit non-return valves on both the hot and cold feeds. It is very important that all pipework is flushed thoroughly after installation to avoid impurities damaging the ceramic discs.

Minimum/Maximum working pressure

These taps are suitable for high and low pressure installations. They are fitted with quarter turn ceramic disc headwork which provides a smooth movement. The minimum work pressure is 0.2 bar. The maximum work pressure is 5 bar. **RECOMMENDED PRESSURE 1 BAR MINIMUM.** If the mains pressure is over 5 bar, a pressure reducing valve should be fitted.

Approvals

All taps are manufactured using materials tested and approved under the Water Bylaws Scheme and comply with requirements of European standard EN200 where applicable.

Preparations and bylaw requirements

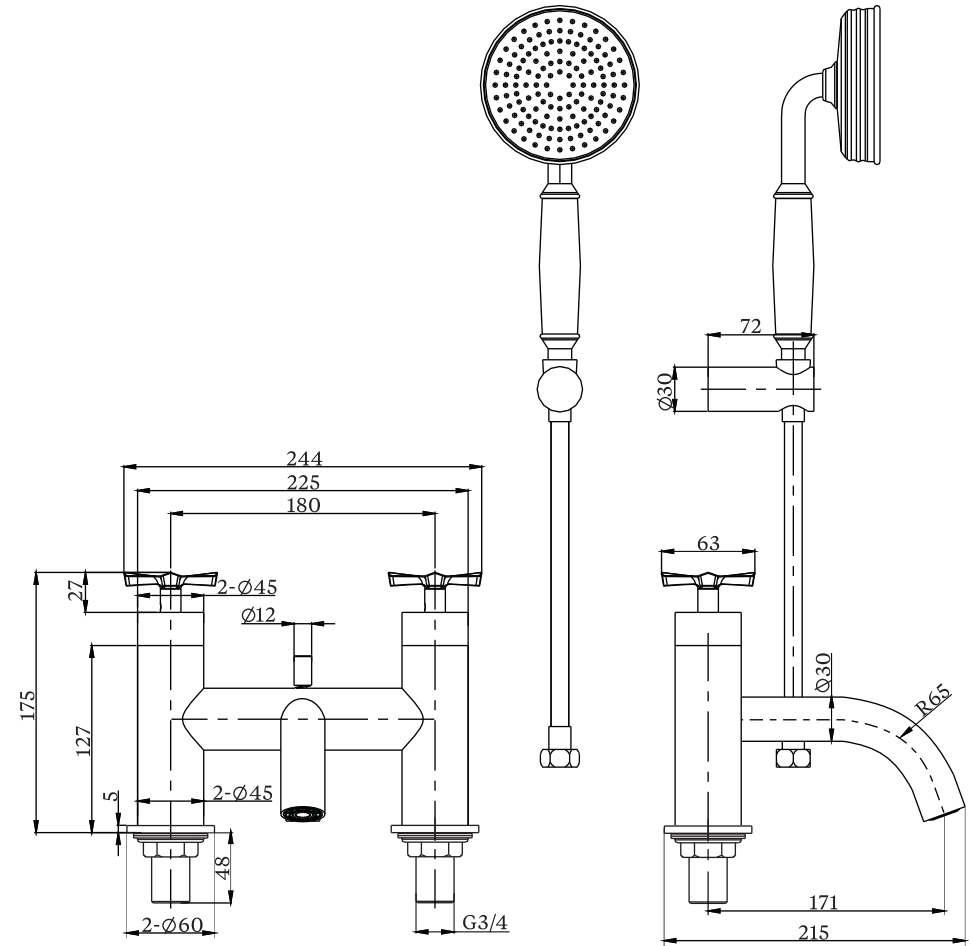
Water Bylaws require that where hot water is supplied from tank and cold from mains, non return valves are fitted on both hot and cold pipes as close as possible to the tap. These are not supplied. Where combination boilers are fitted, it is only necessary to shut off the incoming mains and turn the boiler off. Non return valves are not required.

Warning

Before installing the new taps, it is essential that you thoroughly flush through the supply pipes in order to remove any remaining swarf, solder or other impurities. Failure to carry out this simple procedure could cause problems or damage to the working of the taps.

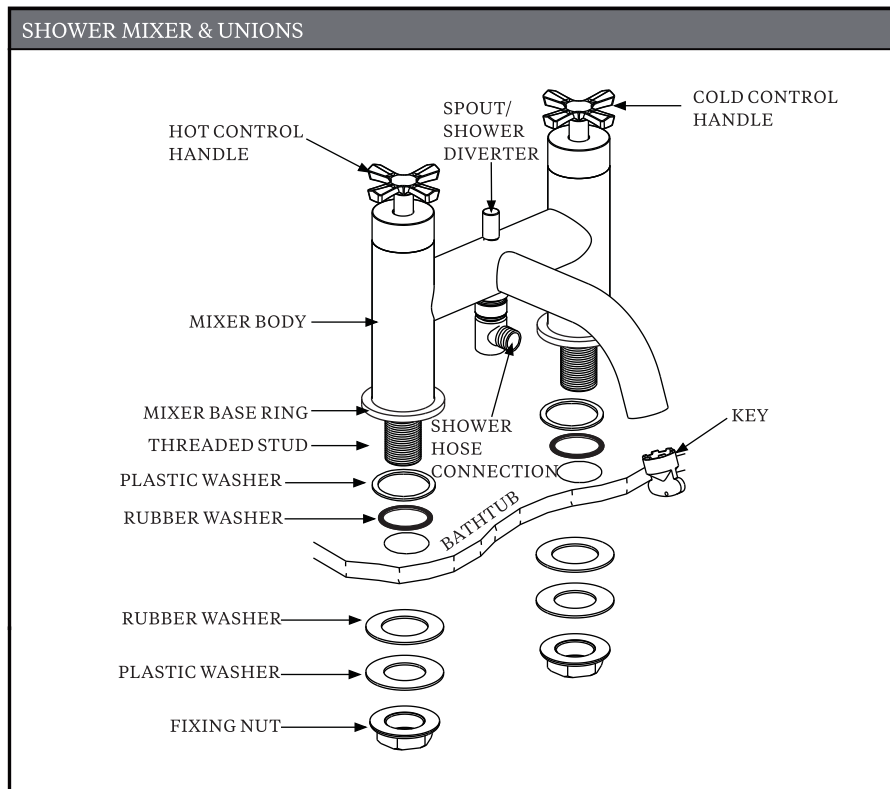
These hints are prepared for your guidance; you must exercise due care at all times. We do not accept responsibility for any problems that may occur through incorrect installation.

DIMENSIONS



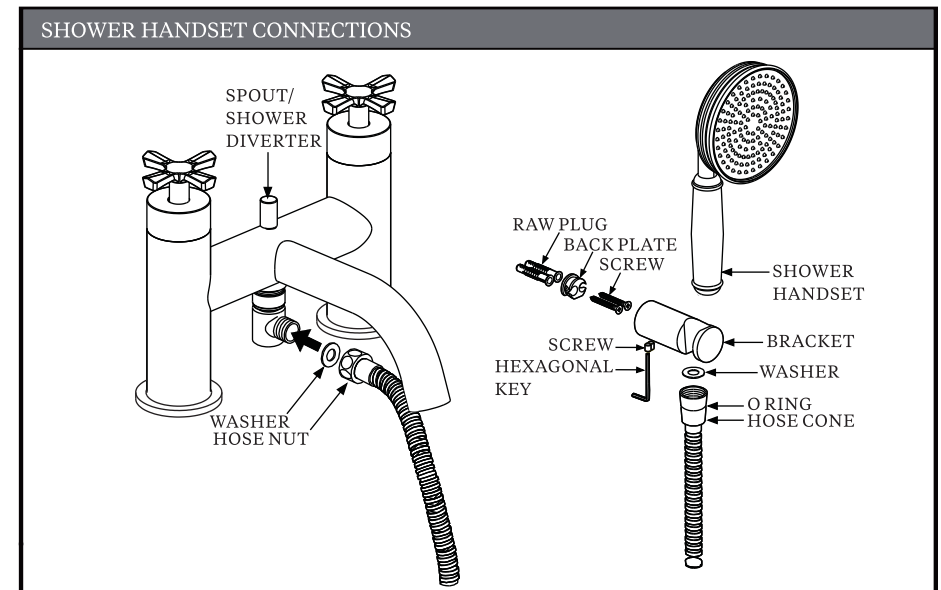
NOTE: ALL DIMENSIONS IN MILLIMETRES

INSTALLATION INSTRUCTIONS



- 1: Remove the washers and fixing nuts from the tails of Deck mounting unions.
- 2: Insert the thread stud into the holes on the bath top making sure that the plastic washer, rubber washer and mixer base ring are correctly positioned.
- 3: Tighten the rubber washer, plastic washers and fixing nuts from the underside of the bath.

INSTALLATION INSTRUCTIONS



1. Install the handset and hose :
 - a) Insert the washer into the cone-shaped end of the hose, and then connect it with handset.
 - b) Insert the second washer into the nut end of the hose and attach it to the mixer outlet.
2. Install the handset bracket :
 - a) Secure back plate in situation by screwing the fixing base through the central hole.
 - b) Finally push the holder over the fixing base and secure by tightening the grub screw on the underside.

Operation

Pull the diverter up to operate the shower, it can be locked in position by turning 90°

MAINTENANCE

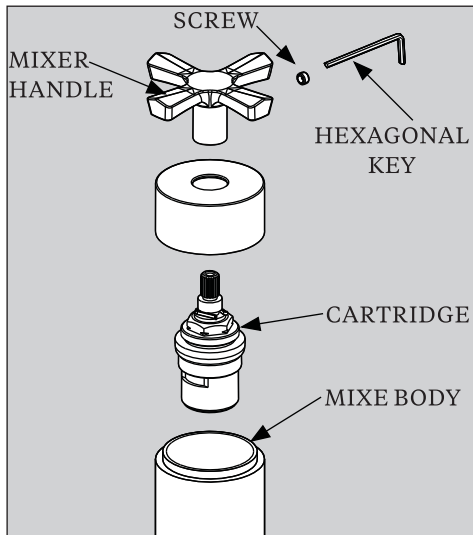
Note : Remember to turn off the water supply before commencing any maintenance.

Cleaning the cartridge

The concealed cartridge should give trouble free service, but in the event of any problem, service is straight forward.

To remove the cartridge

Follow the diagram to remove the cartridge. Wash the cartridge with clean running water and make sure that any trapped debris has been removed. Dry and lightly grease the seal (only use silicone grease) and replace the cartridge followed by the handle body.



CLEANING

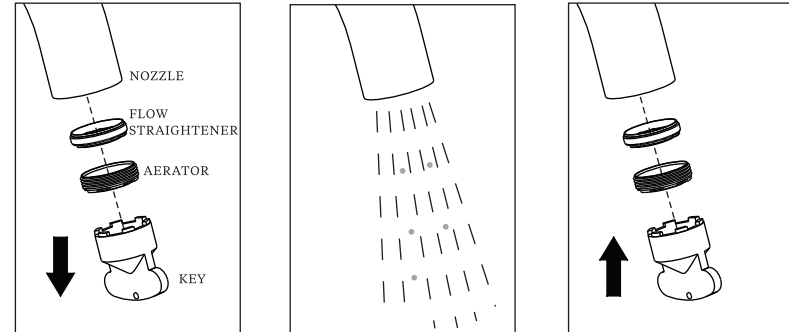
The product should be cleaned only with warm soapy water followed by rinsing with clean water and drying with a soft cloth. All finishes are vulnerable to acid attack and some strong substances such as household cleaners, disinfectants, denture cleaners, hair dyes, wine making and photographic chemicals can cause the surface to go black or peel.

FILTER CLEANING

Taps are supplied with two different filters : low pressure Flow Straighteners (factory fitted) and high pressure Neoperl Aerators (in the box). These fit into the front of the tap nozzle.

Before use : unscrew the filter and allow the water to run freely for 5 minutes. Screw the filter back into the nozzle once all impurities have been flushed from the water supply.

Periodically : Using the key provided in the box unscrew the filter from the nozzle and rinse with clean running water. Once all loose debris and dirt has been cleared replace the filter into the nozzle and tighten with the key provided.

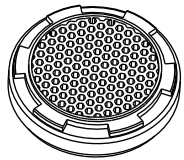


FILTER NOZZLES

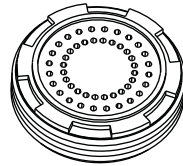
Flow Straightener Filter and Neoperl Aerator Filter

The taps are supplied with factory fitted Flow Straightener filters for low pressure water systems. If the water pressure is high (above 1 bar), replace the flow straightener filter with the high pressure Neoperl aerator filter.

Use the Neoperl key supplied in the box to unscrew the Flow Straightener from the nozzle. Replace with the Aerator filter. If you misplace the supplied Neoperl key, use the top of the spare filter to unscrew the filter from the nozzle.



FLOW STRAIGHTENER



AERATOR

THE QUALIFICATIONS

This product should only be fitted by a qualified plumber to the equivalent of UK NVQ (National Vocational Qualification) or SNVQ (Scottish National Vocational Qualification) Level 3. Should the installation be completed by a non-qualified person then the guarantee may be considered invalid.

This product should only be fitted by a qualified plumber to NVQ (National Vocational Qualification) or SNVQ (Scottish National Vocational Qualification) Level 3. Should the installation be completed by a non-qualified person then the guarantee may be considered invalid.

For a claim made under our warranty written certification of your installers credentials can be required. For further information or to find a qualified installer in your area please visit the Institute of Plumbers website - www.iphe.org.uk

THE QUALIFICATIONS

At present, to be a plumber you need to follow the National Vocational Qualification (NVQ) route (Scottish National Vocational Qualification - SNVQ - in Scotland). These qualifications are made up of theory and practical work in the classroom/purpose built training facility and work based experience with a working plumber. Colleges should help students find a work placement, although many students organise it themselves.

The S/NVQ qualification works in levels. All recently qualified plumbers should hold S/NVQ Level 2 as basic with Level 3 as the preferred level. Level 2 will give you the foundation you need for a career in plumbing and teach you domestic plumbing to a satisfactory level. Level 3 is more comprehensive and deals with domestic, commercial and industrial plumbing along with aspects such as gas - if you want to one day set up your own business, this is the level to reach. The Institute of Plumbing and Heating Engineering, and the industry as a whole recommends that all plumbers reach a minimum of Level 3.

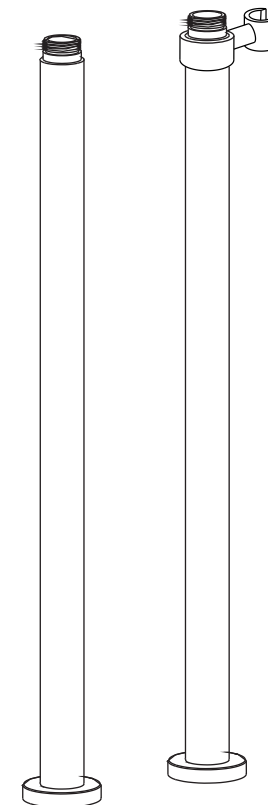
Reaching Level 3 has other advantages. The Institute runs a Master Plumber Certificate, which only those attaining Level 3 or equivalent can reach as long as they have the relevant experience as well. Those with S/NVQ Level 3 can (once in membership with the Institute for five years as a Member MIPHE) gain Engineering Technician EngTech status with the Engineering Council (UK).

www.burlingtonbathrooms.com

For any further information please contact Crosswater on: **0845 873 8840**

Or visit our web-site at www.crosswater.co.uk

The manufacturer reserves the right to make technical modifications without prior notice.



INSTALLATION INSTRUCTIONS

INTRODUCTION

Please read these instructions carefully and keep in a safe place for future reference.

General Installation Requirements.

The installation must comply with regulations of the Local Water Authority as contained in their bylaws. All of the taps in this range are single flow (the hot and cold water mix in the body) and should therefore be supplied with hot and cold water at balanced pressures, both from the tank or both from the mains (via a combination boiler for example). If the taps are not supplied at balanced pressures then the mixer will not function correctly. It will also be necessary to fit non-return valves on both hot and cold feeds. It is very important that all pipework is flushed thoroughly after installation to avoid damaging the ceramic discs.

Minimum/Maximum working pressure

These taps are suitable for high and low pressure installations. They are fitted with a quarter turn ceramic disc cartridge which provides a good flow rate with very smooth movement. To ensure that the bath mixer works adequately under low pressure, the cold water storage tank should be at least 2 metres above the highest installed position. The maximum water pressure is 6 bar (note: mains cold water is normally supplied at between 2 and 3 bar). For installations where the mains pressure exceeds 6 bar a pressure reducing valve should be fitted. The tap is fitted with a flow straightener for use in low pressure installations. If your water is supplied at high pressure you may prefer to change the nozzle to an aerator.

Approvals

All products are manufactured using materials tested and approved under the Water Bylaws Scheme and comply with requirements of British Standard 5412:1996 where applicable.

Preparation and byelaw requirements

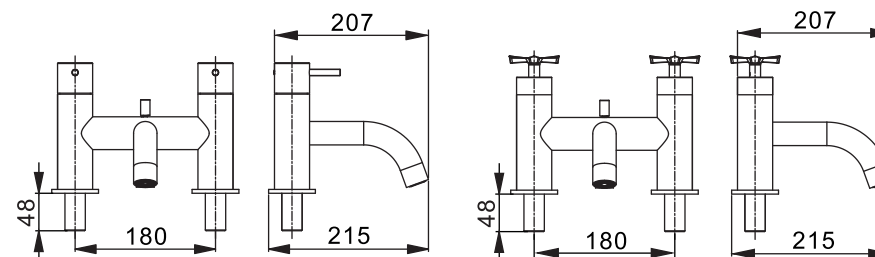
These taps are single flow so the hot and cold water mix in the body. Water byelaws require that where the hot water is supplied from a tank and cold from the mains, non return valves are fitted on both hot and cold pipes as close as possible to the tap. These are not supplied. Where combination boilers are fitted it is only necessary to shut off the incoming mains and turn the boiler off and non return valves are not required.

WARNING

Before installing the new mixer it is essential that you thoroughly flush through the supply pipes in order to remove any remaining swarf, solder or other impurities. Failure to carry out this simple procedure could cause problems or damage to the working of the mixer.

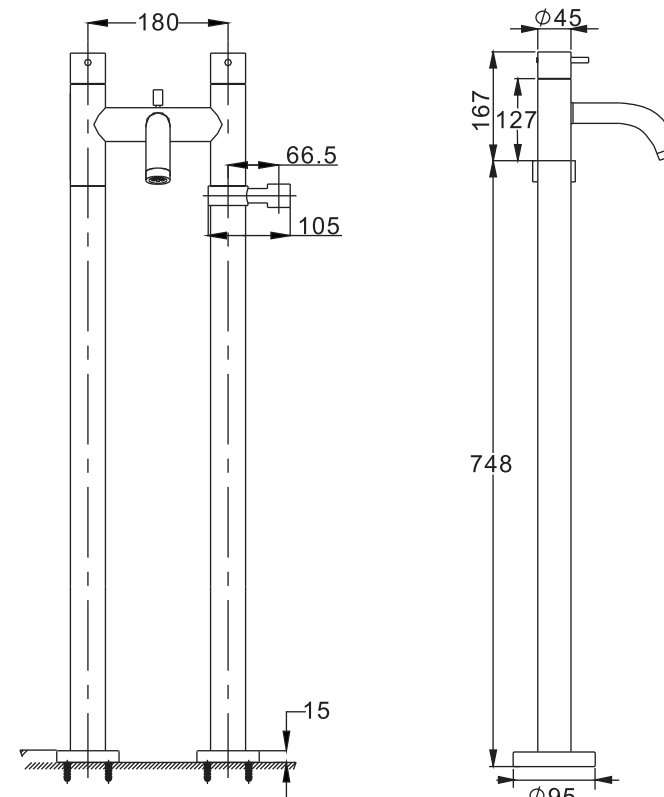
These hints have been prepared for your guidance, you must exercise due care at all times. We do not accept responsibility for any problems that may occur through incorrect installation.

DIMENSIONS



DE422D/PRO422

RIV4



AA002F

NOTE: ALL DIMENSIONS IN MILLIMETRES

INSTALLATION

Figure 1

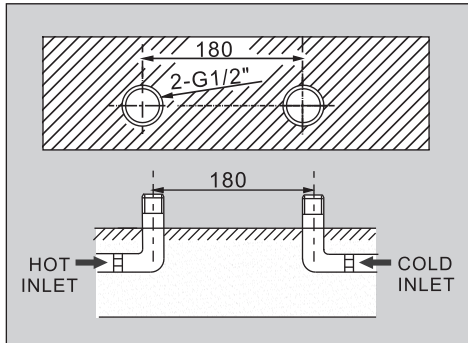


Figure 2

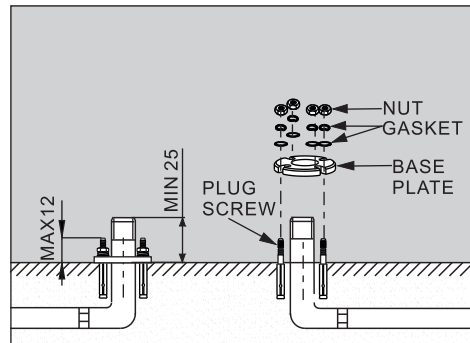


Figure 3

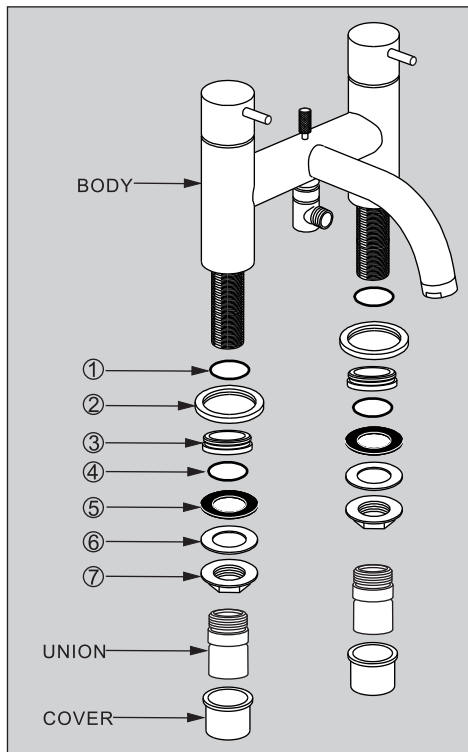


Figure 4

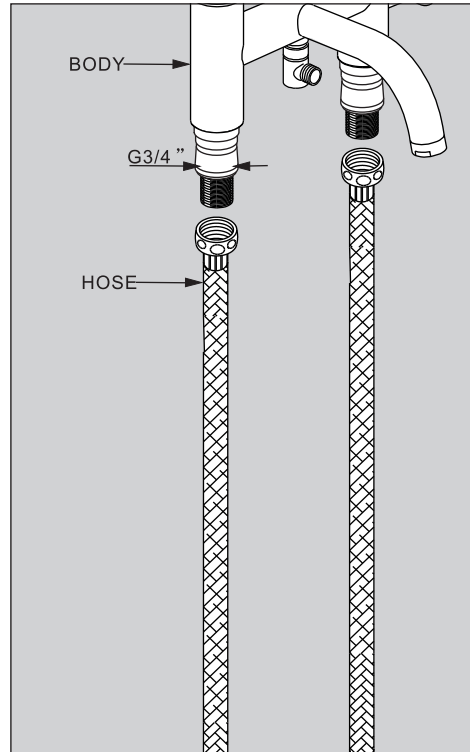


Figure 5

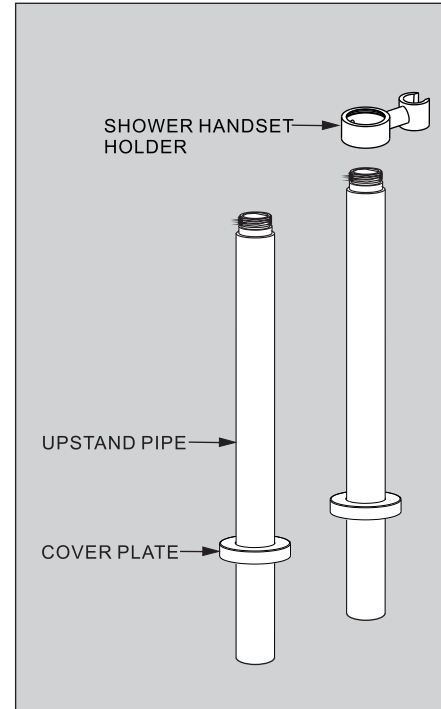
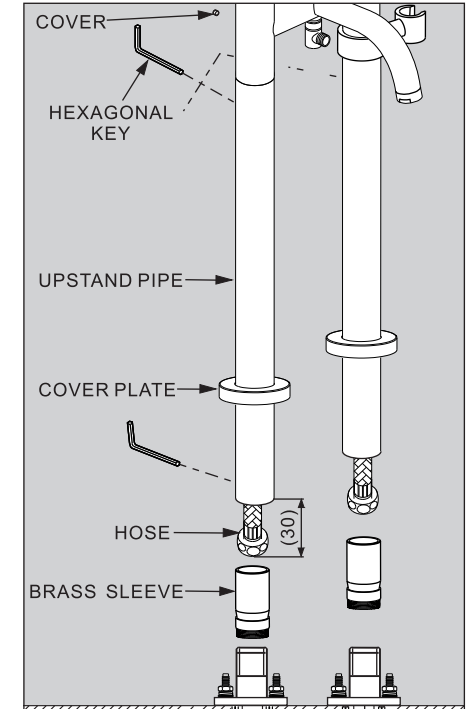


Figure 6



Please note the Shower Handset holder shown above is sold separately

INSTALLATION

First shut off your water heating system then, with your mains stop cock closed, open the lowest hot and cold taps in the house and allow to run until the cold storage tank and pipes are empty (the hot water storage cylinder always remains full). Where combination boilers are fitted it is only necessary to turn off the boiler and shut off the incoming mains. Fitting isolating valves to the inlet feeds is recommended for ease of maintenance.

INSTALLATION

⚠ Remember to turn off the mains water supply before connecting to any existing pipe work.

PLEASE NOTE

These legs are only compatible for the deck mounted bath filler (DE422D/DE322D/RIV4/PRO422/PRO322).

To allow the legs to screw onto the base of the mixer body itself ,part no (#4#5##6 #7) must be carefully unscrewed from the tap 3/4" tail and discarded .At this point also discard the 3/4" backnuts(#1) and washers(#2 #3) as they will not be required . (Please see Figure 3)

Once this has been done , the flexible hoses that supply the water feed through the legs must be connected to the tap 3/4" tail, making sure the rubber washer is inserted correctly. (Please see Figure 4)

The legs can then be screwed into position

This is done but carefully sliding the legs over the flexible hose, towards the "chromed " body of the tap ensuring that the thread on the top of the leg is located internally on the body of the tap .

Once the two parts are located, carefully tighten the leg up into the body of the mixer ensuring the threads do not cross . (Please see Figure 5)

Please remove the 2 brass sleeves from the bottom of the legs and slide them over the flexible hose separately. Then connect the hose tail to the inlet pipes and tighten the 2 brass sleeves. (Please see Figure 6)

(Please see Figure 6)

This completes the conversion of a deck mounted mixer to a floor mounted version .

Insert the washer into the nut end of the hose and attach it to the mixer outlet.

CLEANING

The chrome and gold plate we use on our taps is very durable, nevertheless care should be taken when cleaning them. They should be cleaned only with warm soapy water followed by rinsing with clean water and drying with a soft cloth. All finishes are vulnerable to acid attack and some strong substances such as household cleaners, disinfectants, denture cleaners, hair dyes, wine making and photographic chemicals can cause the surface to go black or peel.

MAINTENANCE

CLEANING THE CARTRIDGE

The concealed cartridge should give trouble free service, but in the event of any problems, servicing is straight forward.

To remove the cartridge.

Pull off the cover cap and with an hexagonal key loosen the screw, but do not remove it. Pull off the handle. Using the correct size spanner unscrew and remove the cartridge. Wash the cartridge with clean running water and make sure that any trapped debris has been removed. Dry and lightly grease the seal (only use silicone grease) and replace the cartridge followed by the handle.

