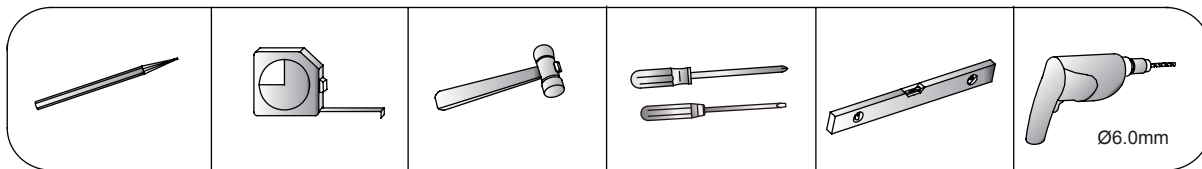
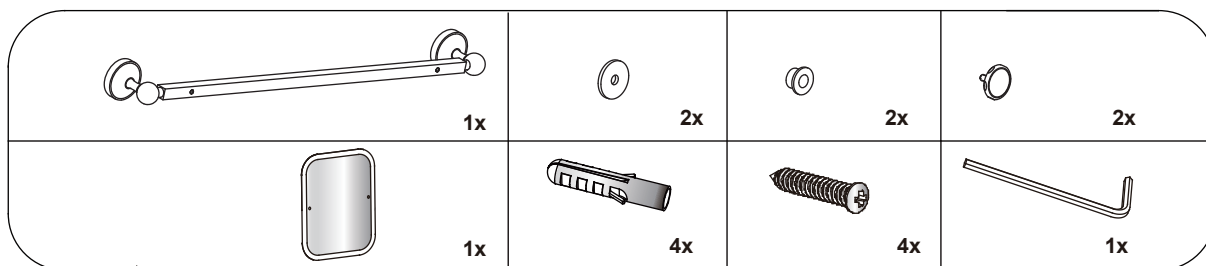


Tools required:



Parts supplied:



The product should be cleaned with soapy water followed by rinsing with clean water and drying with a soft cloth.

All finishes are vulnerable to acid attack and some strong substances such as household cleaners, disinfectants, denture cleaners, hair dyes, wine making and photographic chemicals can cause the surface to go black or peel.

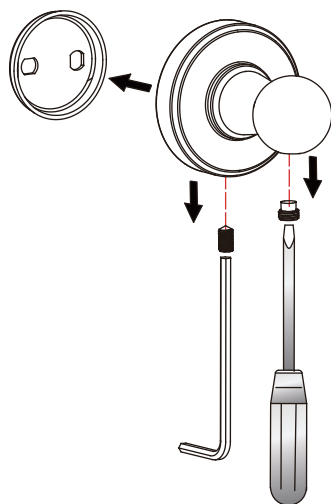
Avoid scratching the surface with hard objects, and do not use a coarse cloth to wipe.

The product should be installed by a professional, following the recommended installation instructions.

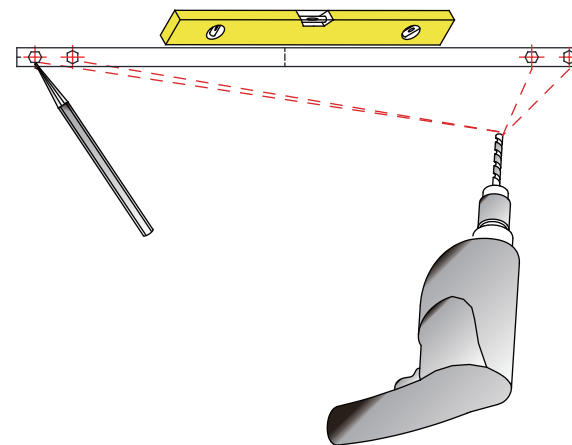
Maintenance & Cleaning

The mirror edges are treated with a specially formulated sealant designed to protect the mirror edges from contaminants and discolouring. Failure to follow cleaning guidelines can/will remove the benefits of the sealant. NEVER use products containing bleach, cleaners of a gritty or abrasive nature or so called "glass and mirror" cleaning products, that can be detrimental to the long lasting finish of the mirror. ONLY use a clean dry or damp micro fibre cloth to clean the mirror and mirror frame.

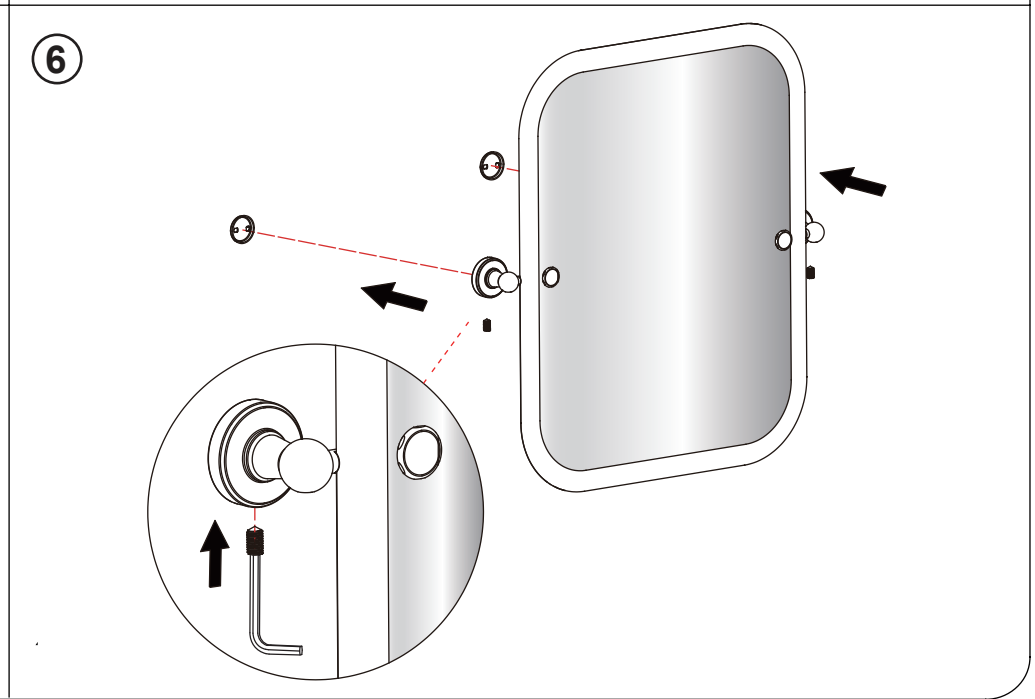
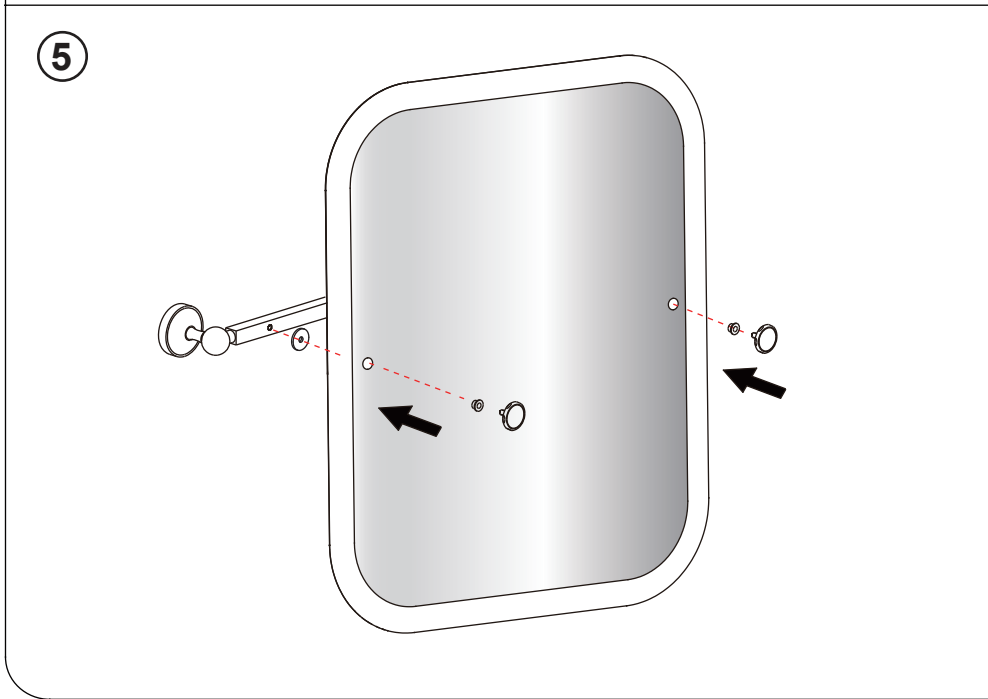
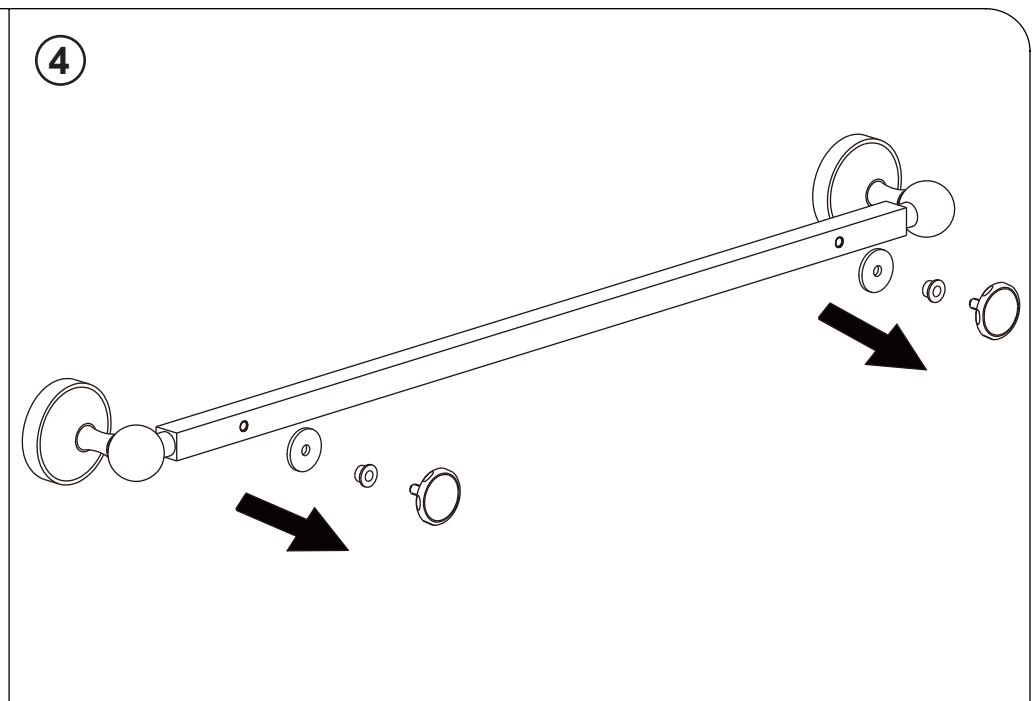
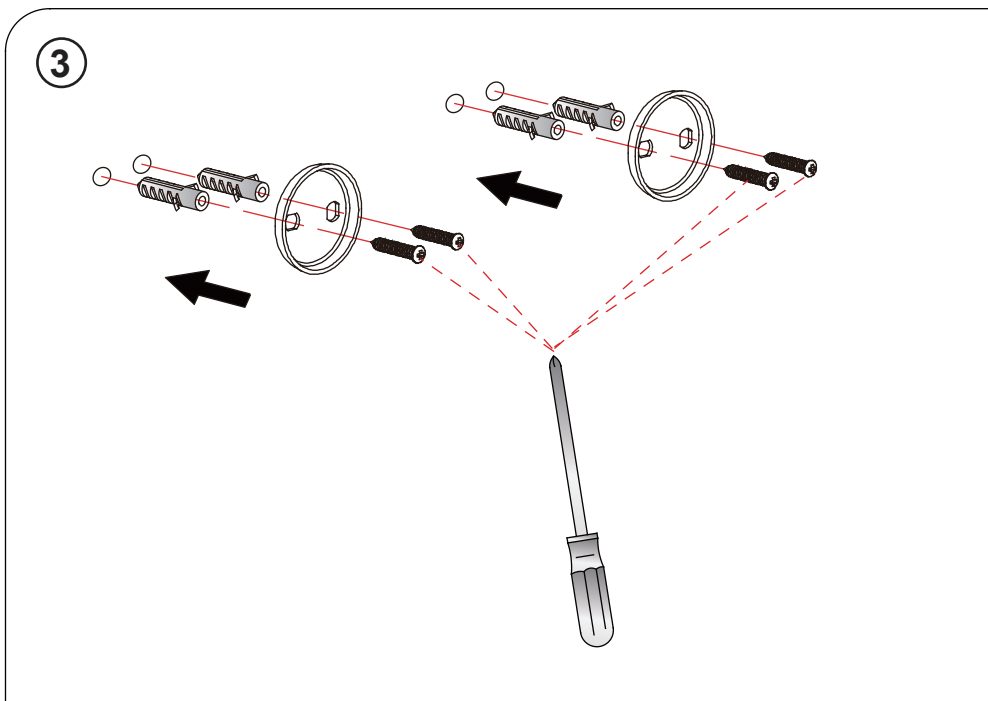
1



2



Use the template supplied to determine the final installation position, mark the fixing hole positions in pencil.



Rectangular swivel mirror with curved corners.

A40

Use the template supplied to determine the final installation position.



Miroir rectangulaire arrondi pivotant, avec fixations murales.

A40

Veillez utiliser le gabarit fourni pour déterminer la position finale de montage.

