








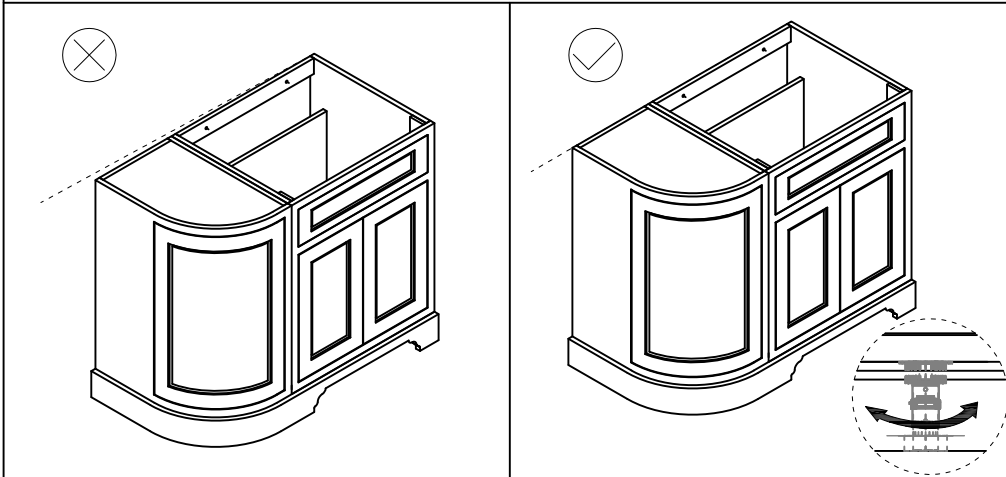


IMPORTANT: This unit must be securely fixed to a wall. Ensure that the top is horizontal before marking the wall for fixing. The wall fixings supplied may not be suitable for your installation. You may need to source alternatives depending on the material and strength of the wall you are fixing to.
 Buffers are supplied to stop the crash of the doors and drawers. These can be fitted if necessary.

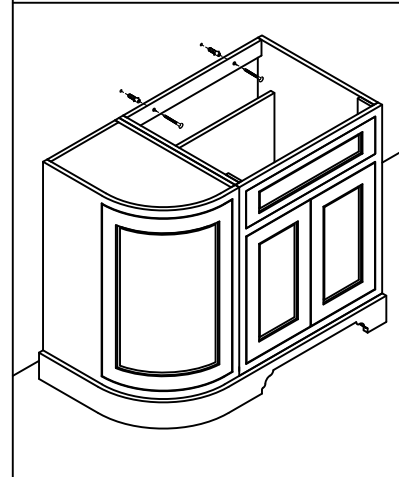
Parts Supplied:

		 ST5 * 50mm							
FF8/FC13	2	2	2	4		4		1	
FC9	4	4	4	8		8		2	
FC1	2	2	4	4	8	8	2	1	
FC2/FC3	2	2	3	4	4	6	1	1	
FC5	2	2	2	5		4			1

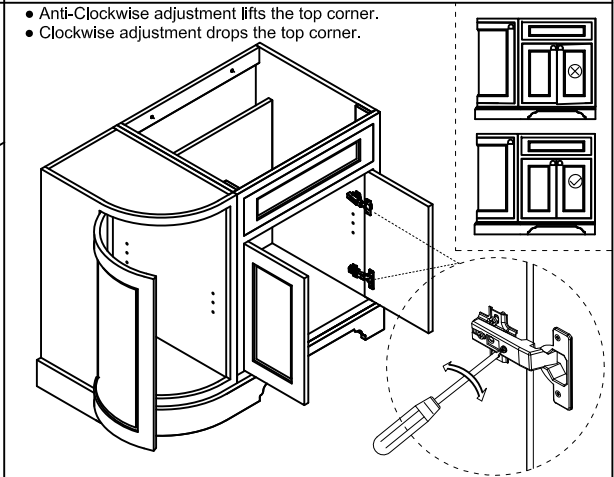
• Place the cabinet in final position, and check for level. If not, please adjust the feet at the bottom of the cabinet.



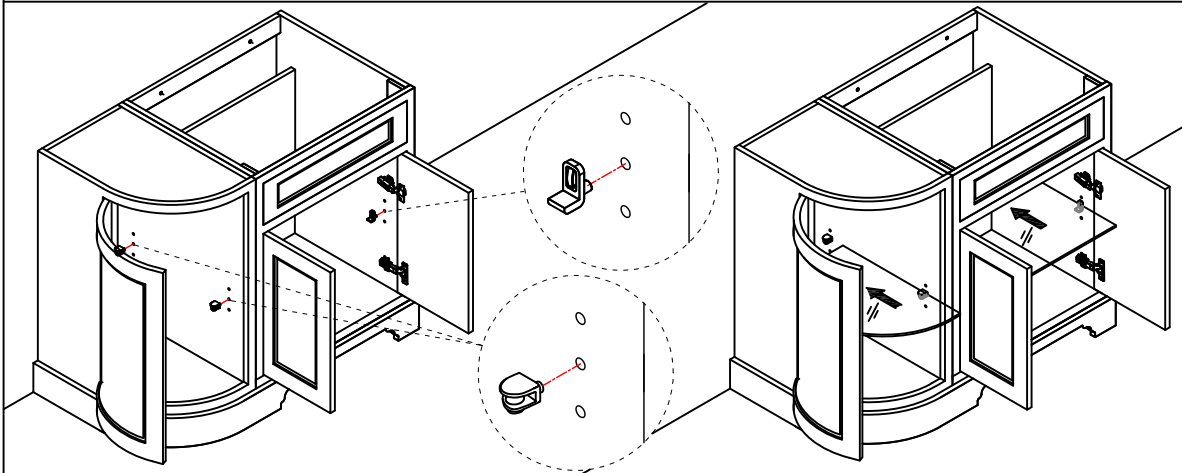
• Fix the cabinet onto the wall.



• Check the door for level. If not, please adjust the screw on the hinge.



• Please remove the protecting film before installing the glass shelf.
 Please plug in plastic clamp in the proper position, then insert the glass shelf.



⚠ Place silicon seal to top surfaces where worktop/basin sits, and back edge of worktop/basin to wall. This is to prevent water collecting between the worktop/basin and the cabinet.

