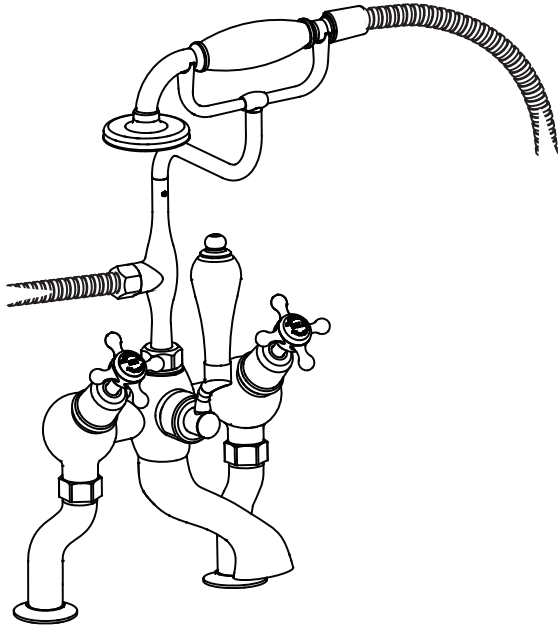


INSTALLATION INSTRUCTIONS

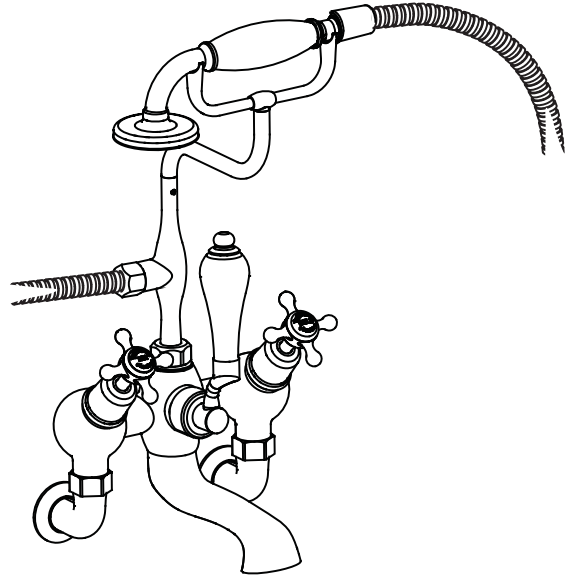
Angled Bath Shower Mixer

(Excluding handles, unions and bases) - T9



DECK-MOUNTING

* The package in this product has no handles, deck mounting unions or bases supplied. The handles & unions shown in the diagram are for reference only.

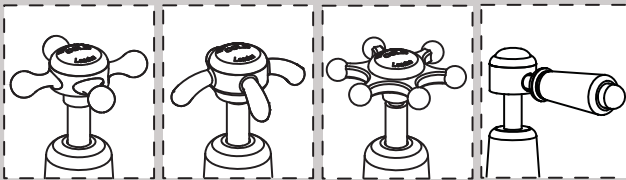


WALL-MOUNTING

* The package in this product has no handles, wall mounting unions or bases supplied. The handles & unions shown in the diagram are for reference only.

Option 1:

Burlington has 4 different style handle for your selection.



Claremont

Anglesey

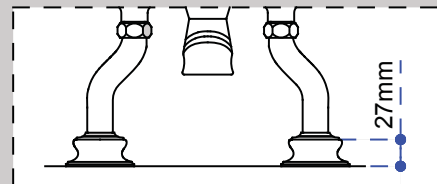
Birkenhead

Kensington

(For Quarter turn only)

Option 2:

Burlington also have a base (27mm height) for your selection.



NOT INCLUDED IN THE ANGLED BATH SHOWER MIXER BOX

Important

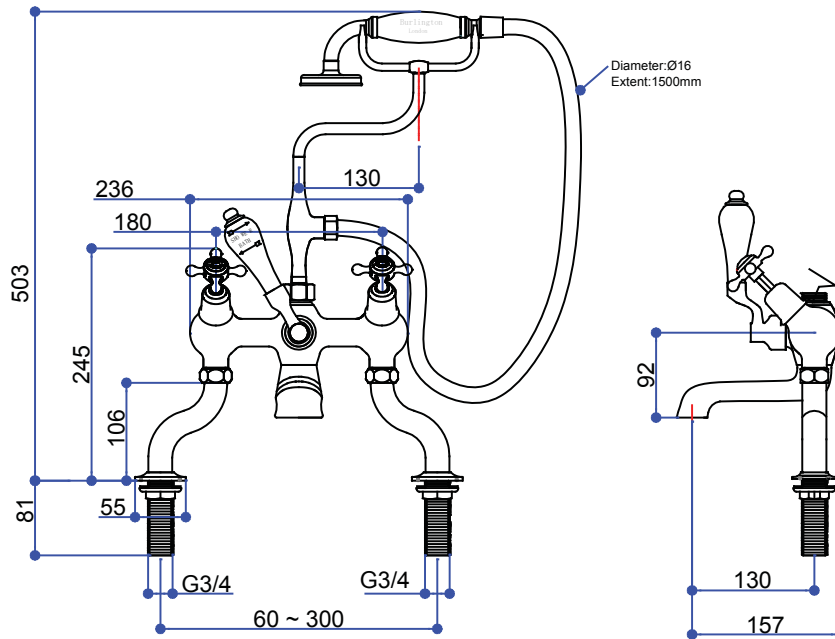
- We recommend that this product is installed by a qualified professional contractor. Such as a plumber who is certified by NVQ (National Vocational Qualification) or SNVQ (Scottish National Vocational Qualification) Level 3
- Please check this product immediately to ensure that it has not been damaged and is complete. Before installation, please make sure this product is the correct model and you have all the parts required for installation and using.
- All the taps in Burlington Range should be supplied with hot and cold water at balanced pressure. If not, then the mixing function will not work correctly. It is necessary to fit non-return valves on both hot and cold feeds pipe. These are not supplied.
- Please flush the water system to ensure that no metal swarf, solder, and other impurities can enter the taps.
- Turn off water supply before commencing work, this should be done at the isolating valves of inlet feeds if fitted or main stopcock.
- Please read these instructions carefully and keep it for future reference.

Working pressure

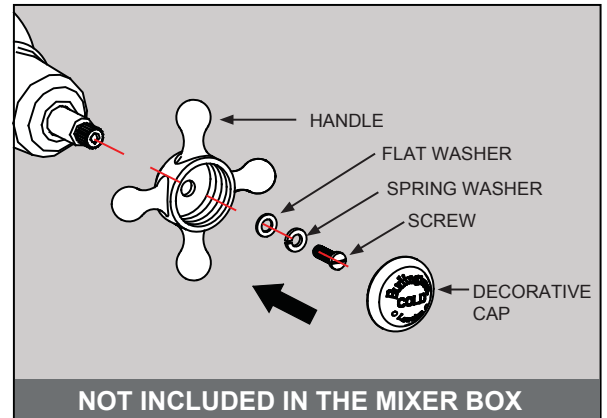
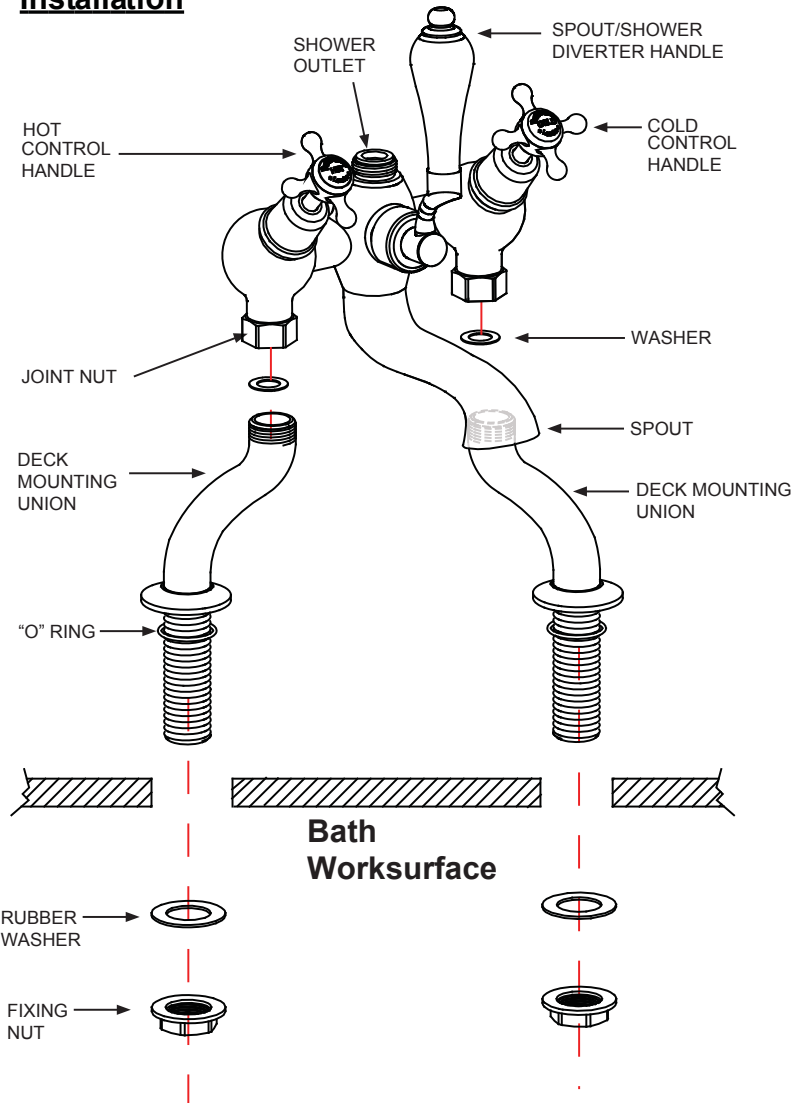
The tap is suitable for both high and low pressure installation. To ensure that the tap works well under low water pressure, the cold water storage tank must be at least 2 meters above the installed position. The maximum static pressure is 10 bar, and operating water pressure is 5 bar. Where the operating water pressure above 5 bar, then a pressure reducing valve must be fitted.

Dimension

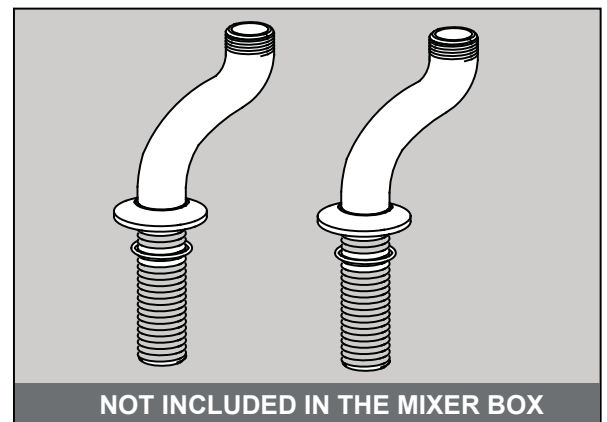
DECK-MOUNTING



Installation



Note: To ensure the Kensington lever tap head faces in the correct forward position once installed, you may need to tighten the cartridge into the tap body a notch with a monkey spanner and then re-attach the tap head.

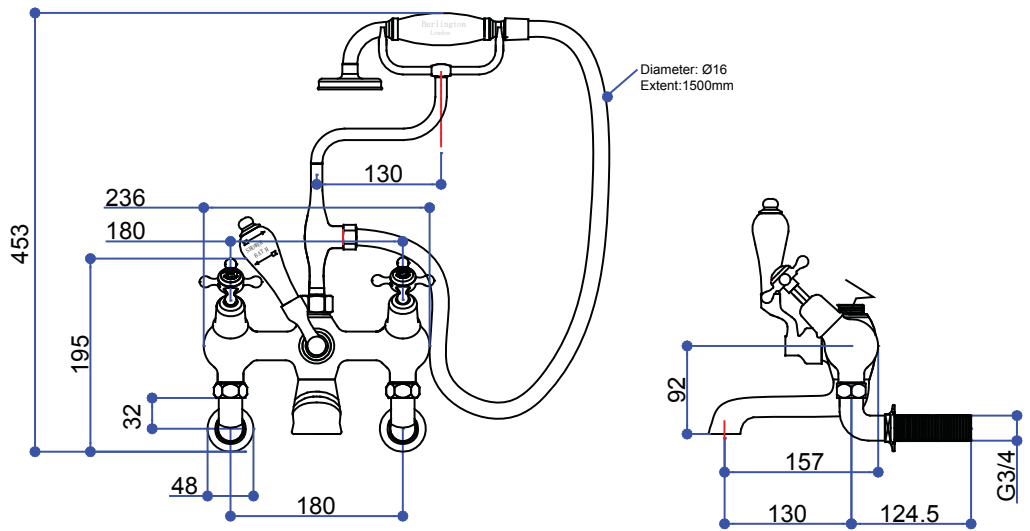


If identify to install the Angled Bath Shower Mixer on the Bath, you need install the T18 (Deck mounting unions) on the bath first.

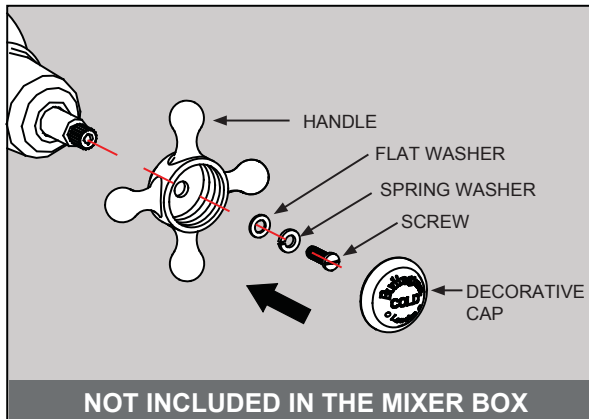
- A) Remove the washers and fixing nuts from the tails of Deck mounting unions.
- B) Insert the tails in two tap holes on bath.
- C) Tighten the rubber washer & the fixing nut from the under-side of the bath, and make sure the two unions at 180mm centers.
- D) Tighten the Bath Shower Mixer on joint nut and connect to the Deck mounting unions.

Dimension

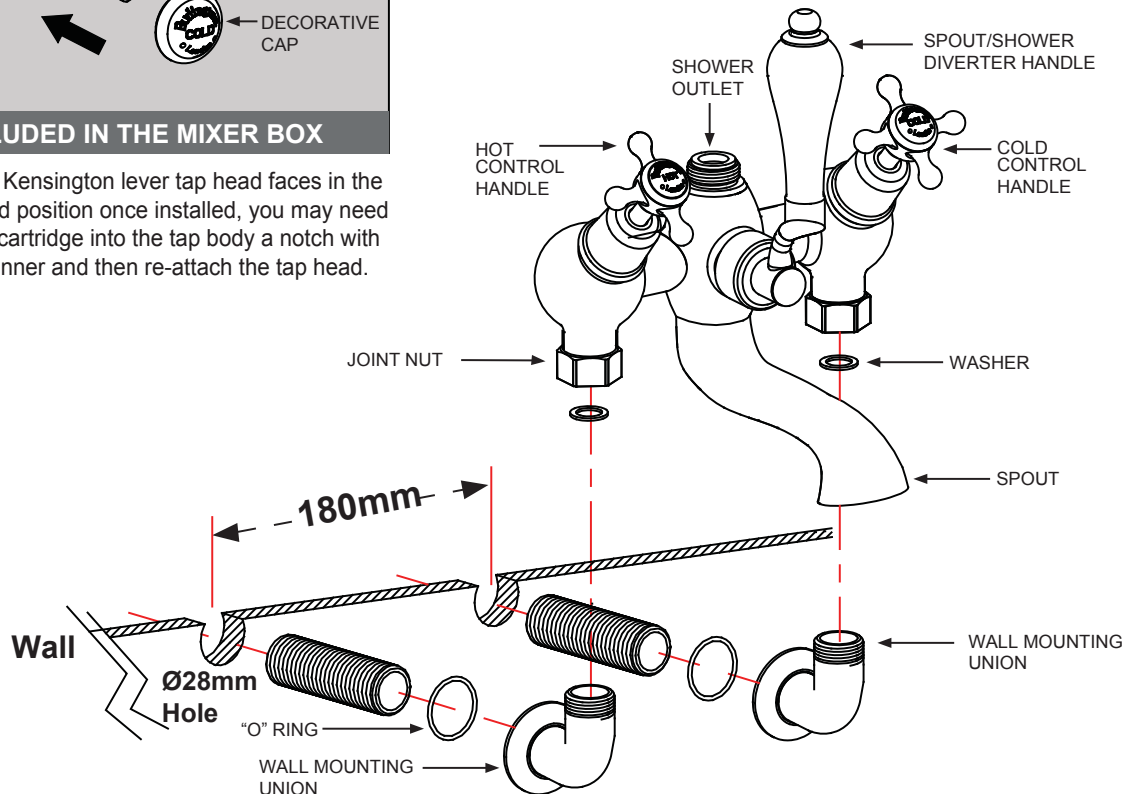
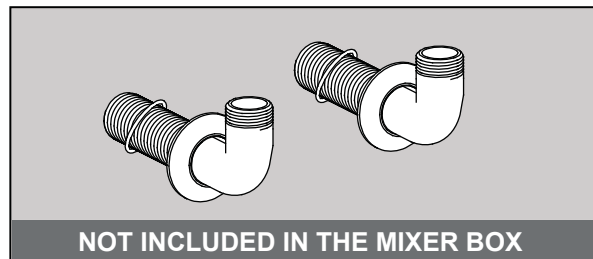
WALL-MOUNTING



Installation



Note: To ensure the Kensington lever tap head faces in the correct forward position once installed, you may need to tighten the cartridge into the tap body a notch with a monkey spanner and then re-attach the tap head.

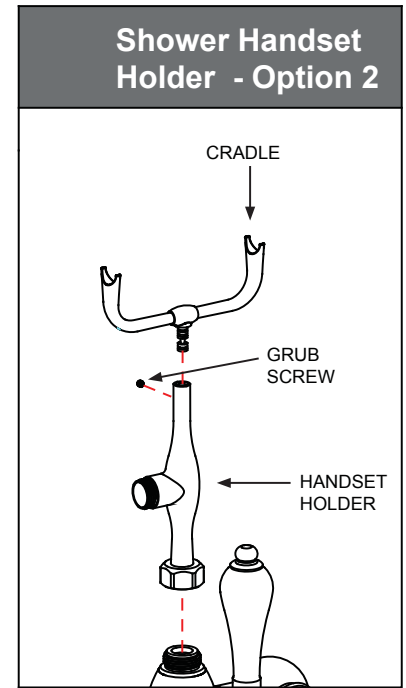
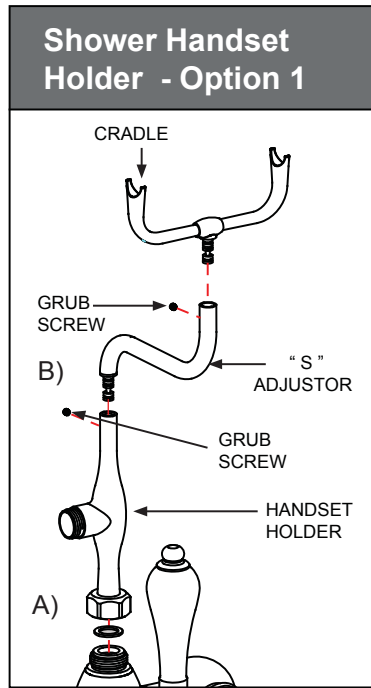


If identify to install the Angled Bath Shower Mixer on the wall, you need install the T17-2 (Wall mounting unions) on the wall first.

- On the wall Drill at 2 X 28mm diameter holes at 180mm centers.
- Unscrew the tails from the unions elbow part.
- Smear or wind a suitable sealing material round the tail and then insert the tails into the holes on the wall. The fibre washer (not supplied) may be inserted between the tail and the wall or tile surface to protect it.
- Connect the water supplier pipes to both tails. From a front view, hot water on the left and cold water on the right.
- Tighten the elbow part back with tails again. And make sure the outlets are upward and at 180mm centers.
- It is possible to use a G3/4 fixing nut(not supplied) to secure the wall mounting unions if they reach through a wall and the supply can then terminate in a swivel or flexible coupling.
- Tighten the Bath Shower Mixer on joint nut and connect to the Wall mounting unions.

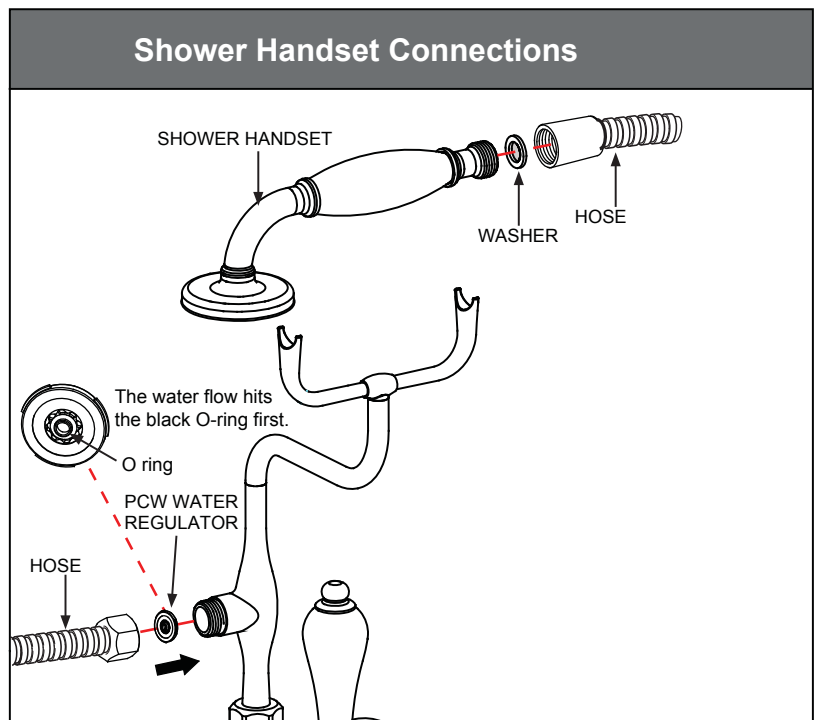
Install the shower handset holder

- Insert a washer into the end nut of handset holder, and tight the holder on the Angled Bath Shower Mixer Body.
- If you don't need the "S adjustor", please take off it by using the Allen key to unscrew two grub screws on the holder.



Install the shower handset and hose

- Insert a PCW water regulator into the nut end of hose and tight it to the mixer outlet.
- Insert a washer into the cone end of hose and tight it with shower handset.
- Please remove the PCW water regulator and replace with supplied washer if you feel the water flow from handset is too low.



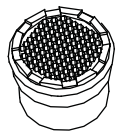
Straightener and aerator (alternative options)

The tap comes with a factory-fitted flow straightener for low pressure water systems. If the water flow is high, replace the factory-fitted flow straightener with the high pressure aerator supplied.

Use NEOPERL Key to unscrew the straightener in the Nozzle. Replace with the aerator provided, and screw back in nozzle tightly. (If you misplace the Neoperl key you can use the top of the aerator/straightener as a key)



FLOW STRAIGHTENER

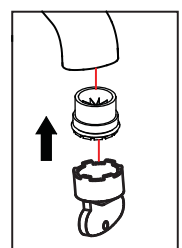
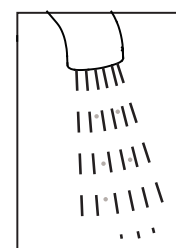
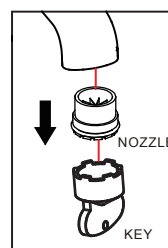


AERATOR

Cleaning

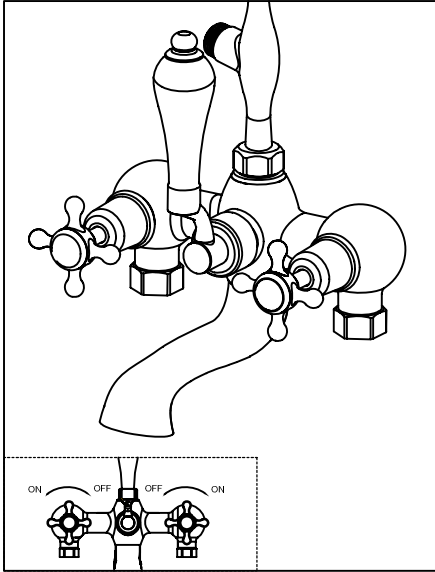
Before use: Unscrew the filter and allow the water to run freely for 5 minutes. Then screw the filter back in place.

Periodically: Using the key provided unscrew the nozzle and remove. Rinse it with cleaning running water until any loose debris is cleared. Then replace the nozzle and tighten with key provided.

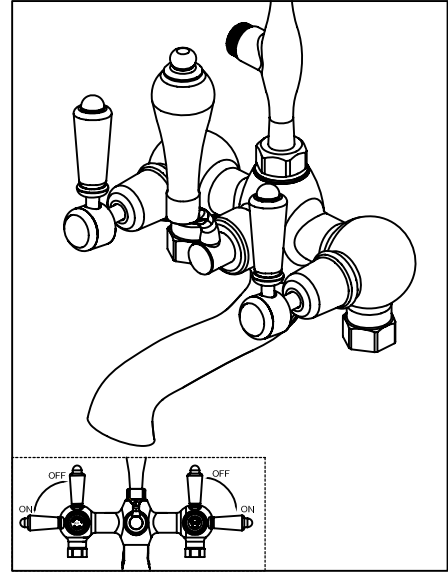


Maintenance

We do NOT recommend you use any household cleaners to clean the product. Because these cleaners change substance or formula too frequently. The product should be always cleaned only with soapy water and rinsed with clean water and dried with a soft cloth.

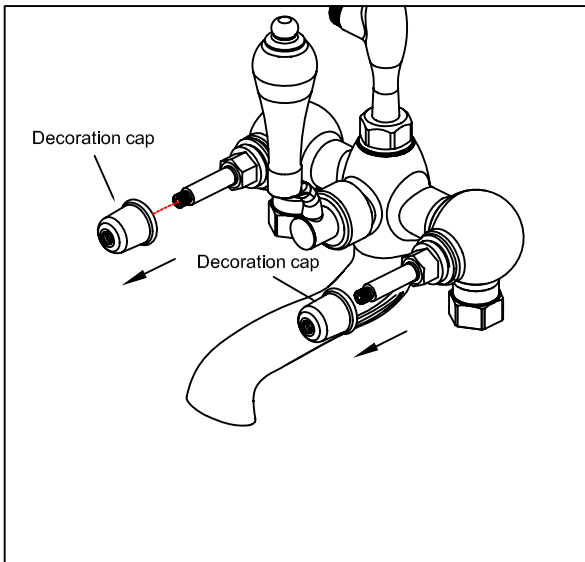


Factory re-setting handle position

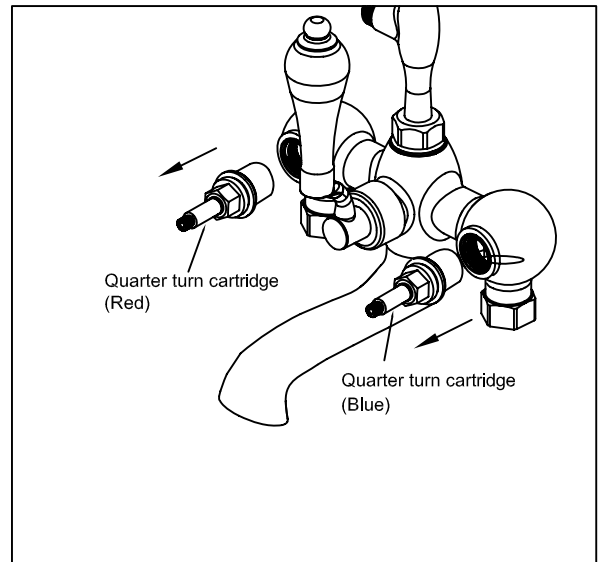


Recommended lever position

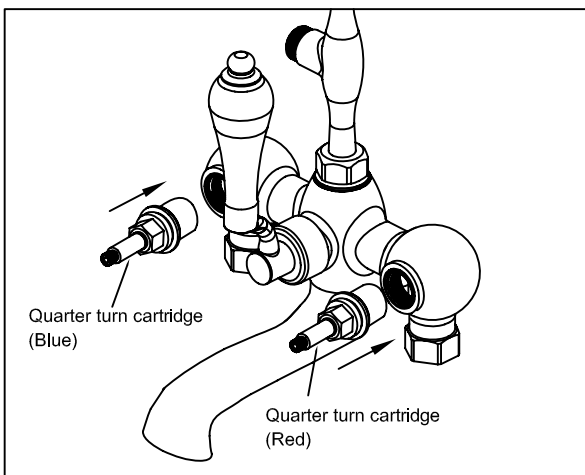
Cartridge Change Instruction:



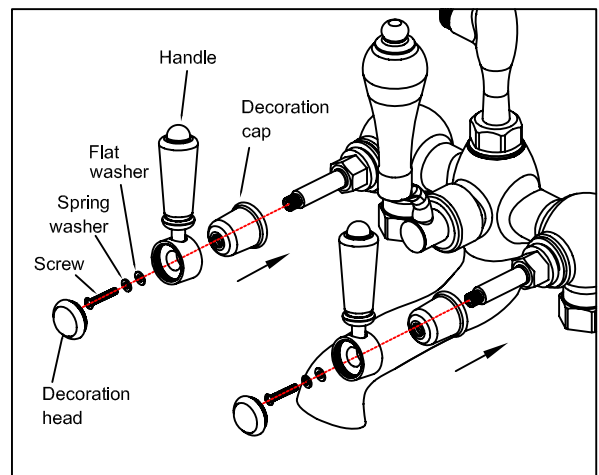
**1: Prepare tools (cross screwdriver, monkey spanner...)
 Unscrew the decoration cap.**



2: Screw out the cartridge by Monkey spanner.



**3: Reversed the quarter turn cartridges (red and blue)
 and screw in as the above diagram.**



**4: Screw in the decoration cap.
 Replace the lever in turn.
 The lever position is upwards.**