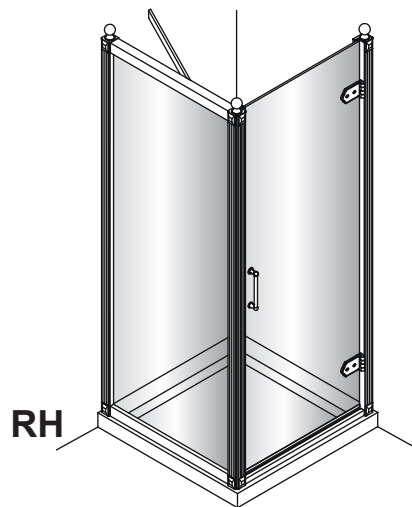
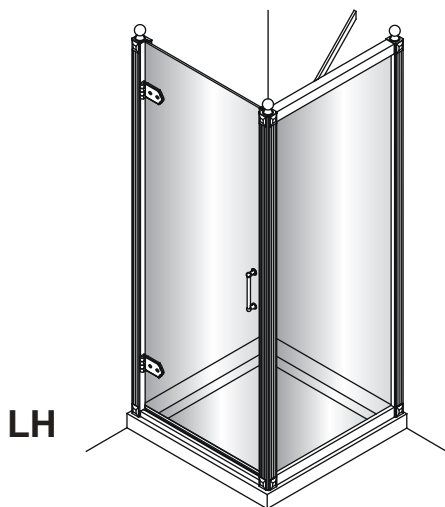


- PLEASE REFER TO THE INDIVIDUAL DOOR OR SLIDER DOOR INSTRUCTIONS FOR CORRECT INSTALLATION WITH THIS SIDE PANEL.
- Check the contents of the pack carefully before installation.
- The tray MUST be installed level and fully sealed to the tiles.
- Handle with care. Impacts can damage both the glass and the frame.
- Check for any hidden pipes or cables before drilling holes in the wall.
- The enclosure is reversible: " door can be either left or right opening. "
 In the remainder of this manual the illustrations will only show the right hand installation.
 The parts marked "LH" or "RH" would be only suitable for the relative shower enclosure.
- The wall fixings supplied may not be suitable for your installation. You may need to source alternatives depending on the construction of the wall you are fixing to.

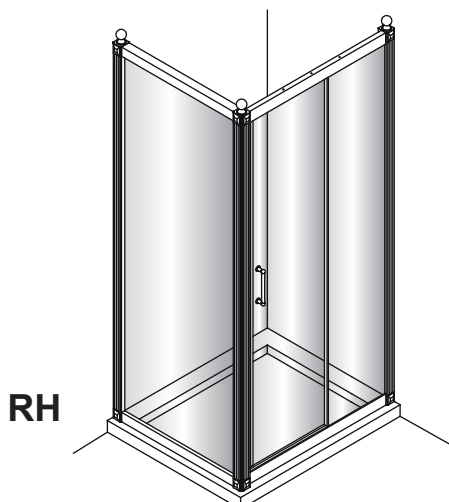
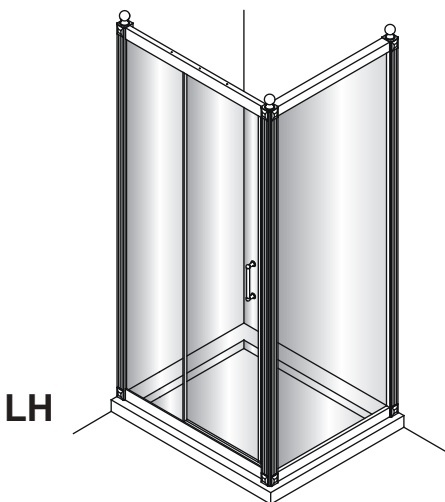
Care and Cleaning:

- Do not use solvents or abrasive material or chemicals to clean the enclosure.
- Only clean using soapy water and a soft cloth, rinse thoroughly afterwards.

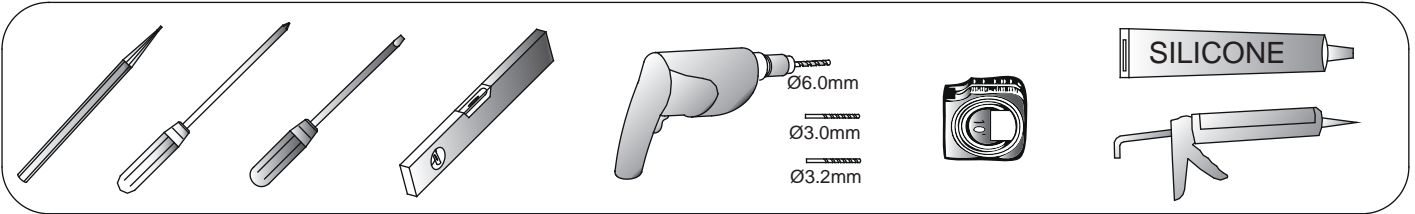
Hinge Door and Side Panel (Pages 3 - 5)



Slider Door and Side Panel (Pages 6 - 8)

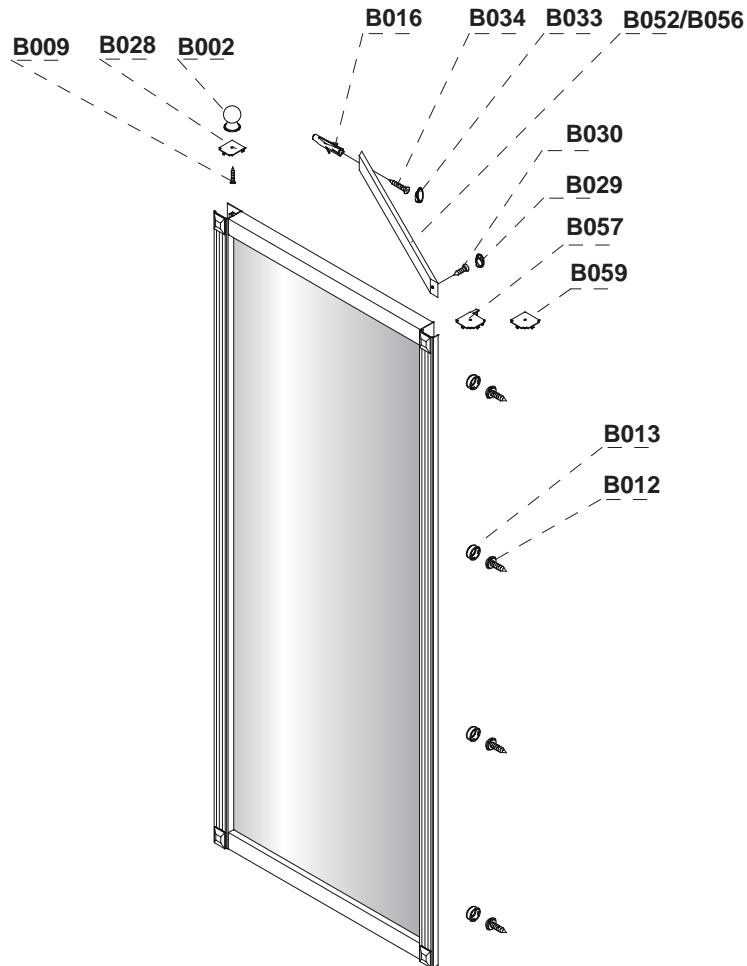


Tools required:



Parts supplied:

Side Panel Box - C11/C12/C13/C14

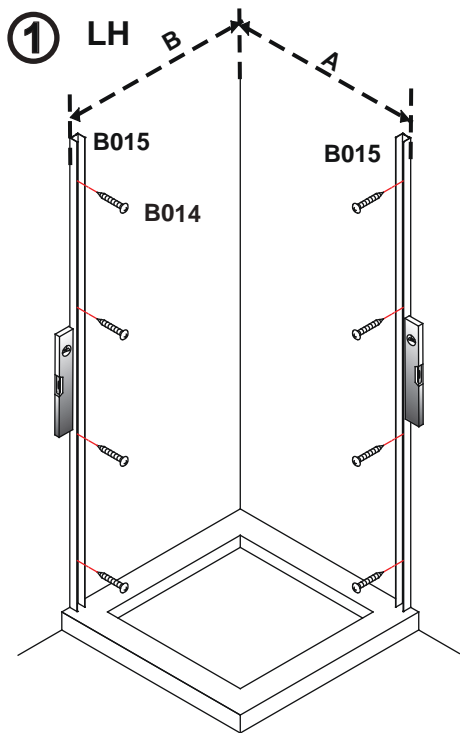


<p>B002</p> <p>1x</p>	<p>B027</p> <p>1x</p>	<p>B028</p> <p>1x</p>	<p>B009</p> <p>1x</p> <p>ST3.5*16mm</p>	<p>B034</p> <p>1x</p> <p>ST4*35mm</p>
<p>B033</p> <p>1x</p>	<p>B030</p> <p>1x</p> <p>ST4*25mm</p>	<p>B029</p> <p>1x</p>	<p>B016</p> <p>1x</p>	<p>B012</p> <p>4x</p> <p>ST3.5*10mm</p>
<p>B013</p> <p>4x</p>	<p>B057</p> <p>1x</p> <p>RH</p>	<p>B058</p> <p>1x</p> <p>LH</p>	<p>B059</p> <p>1x</p> <p>RH</p>	<p>B060</p> <p>1x</p> <p>LH</p>
<p>B052/B056</p> <p>1x</p> <p>- B052 is for 700, 760, 800 side panel - B056 is for 900 side panel</p>				

Hinge Door and Side Panel

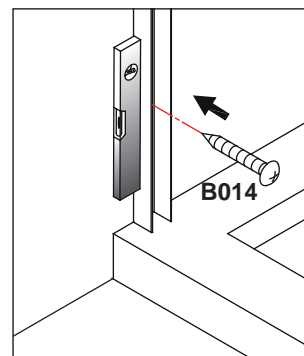
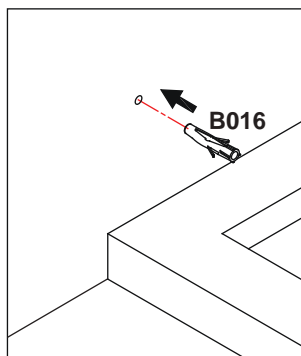
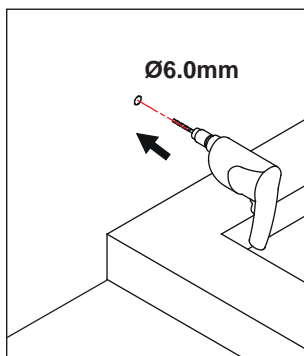
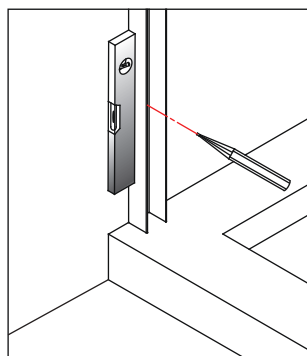
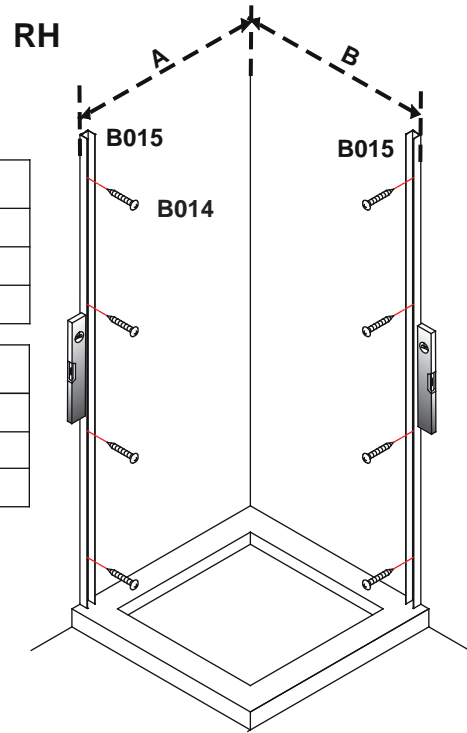
This instruction relates to the combination of the hinge door with a side panel, and should be used in conjunction with the assembly instructions of the hinge door.

Please review carefully both instructions before you begin assembly, and follow the steps accordingly.

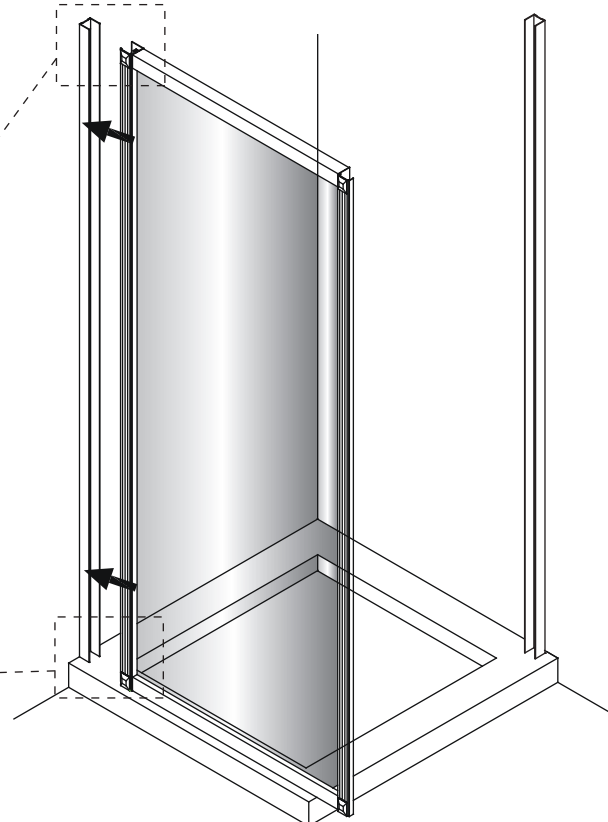
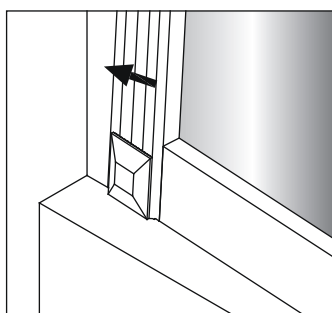
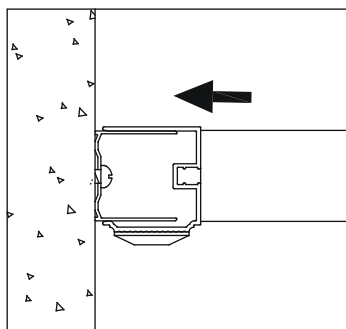


Item	A (mm)
C19 760 Hinged door	720 ~ 740
C20 800 Hinged door	760 ~ 780
C21 900 Hinged door	860 ~ 880

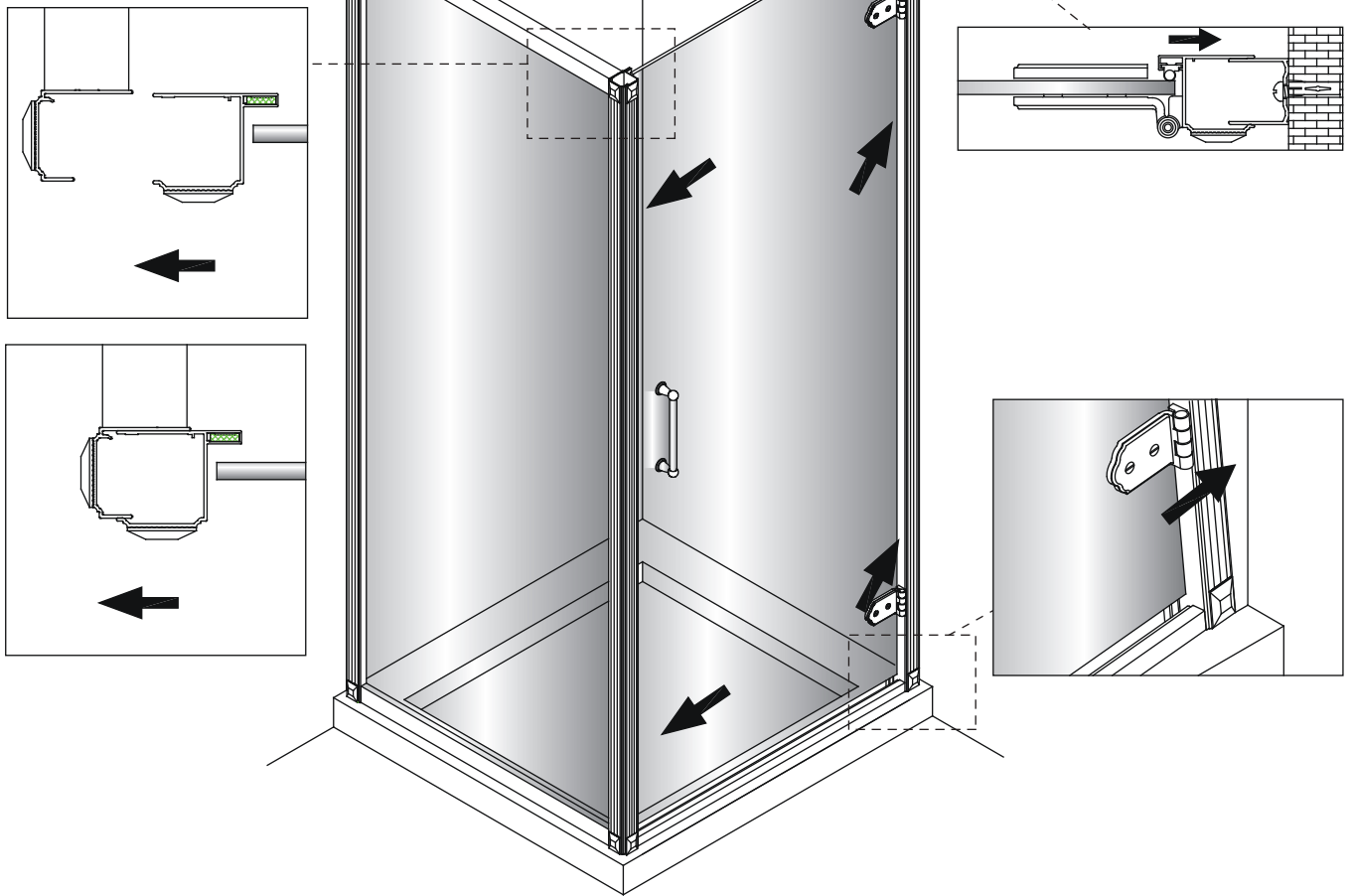
Item	B (mm)
C12 760 Side Panel	720 ~ 740
C13 800 Side Panel	760 ~ 780
C14 900 Side Panel	860 ~ 880



2

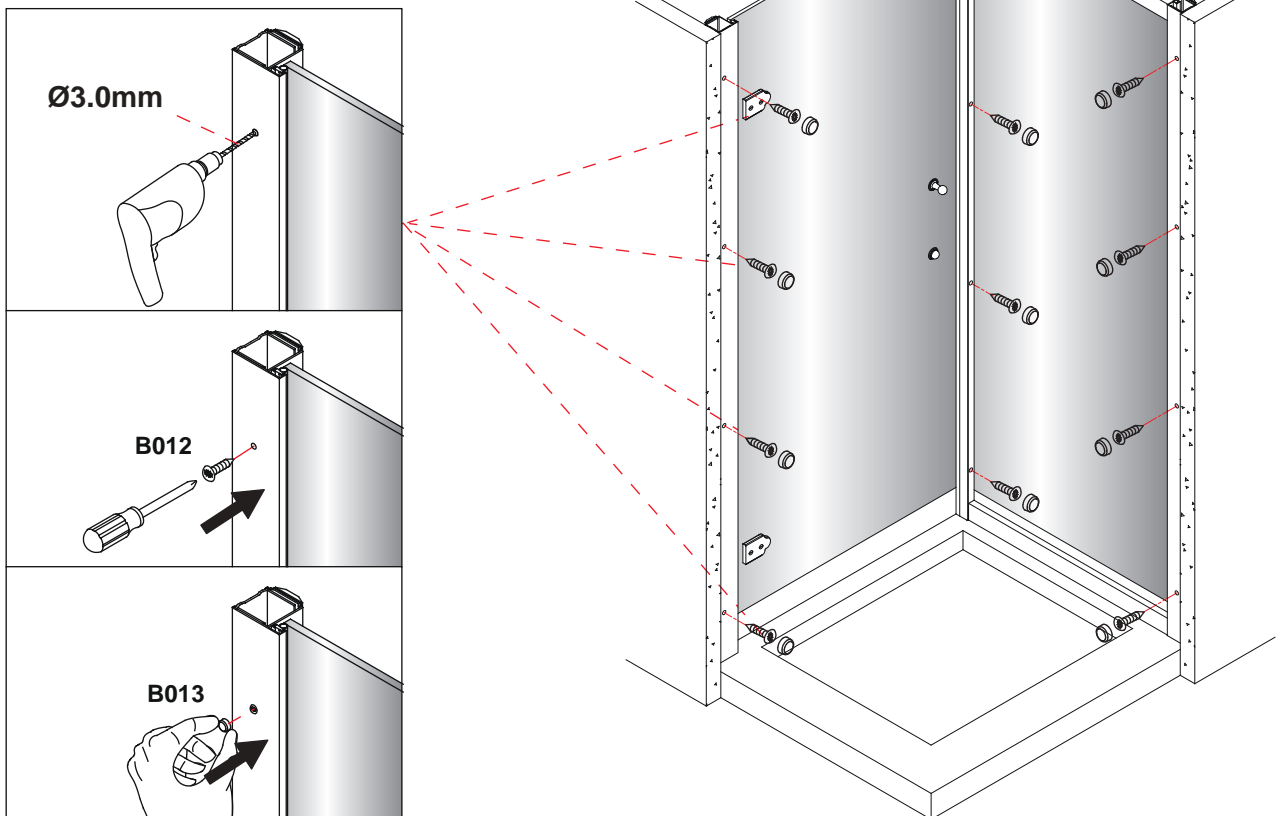


3

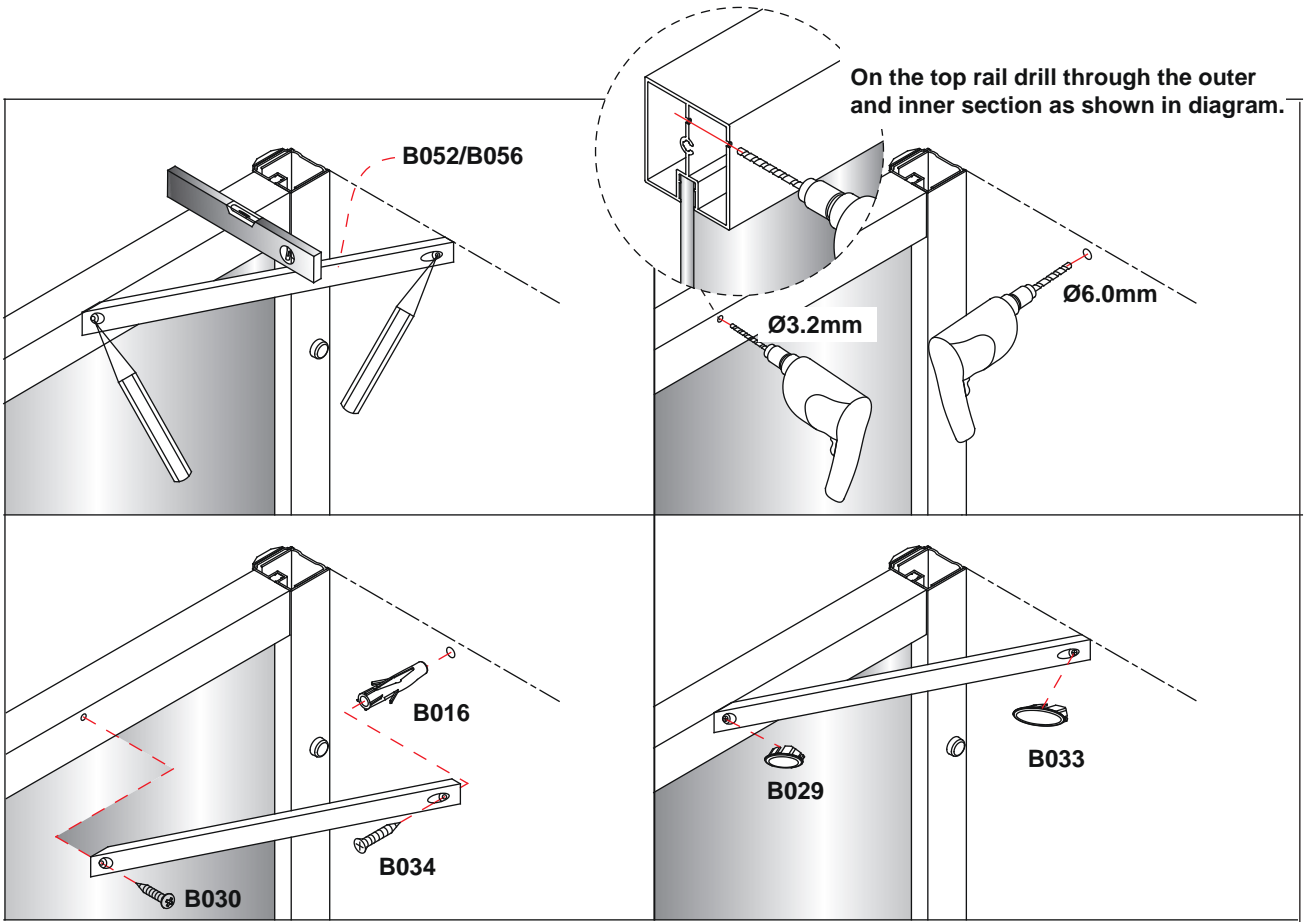


4

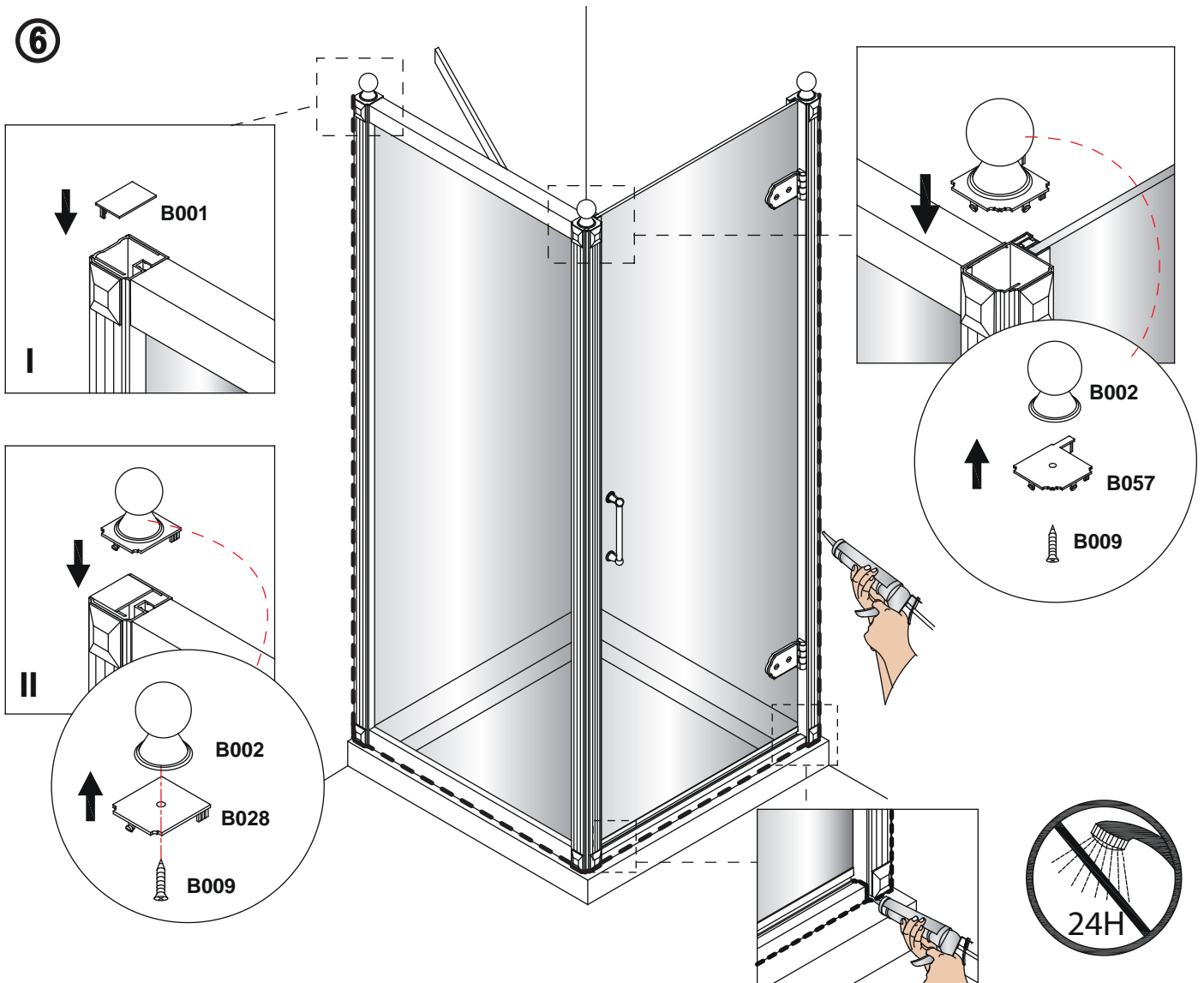
Once you have checked that the door opens and closes correctly, fix the door frame to the wall channels.



5



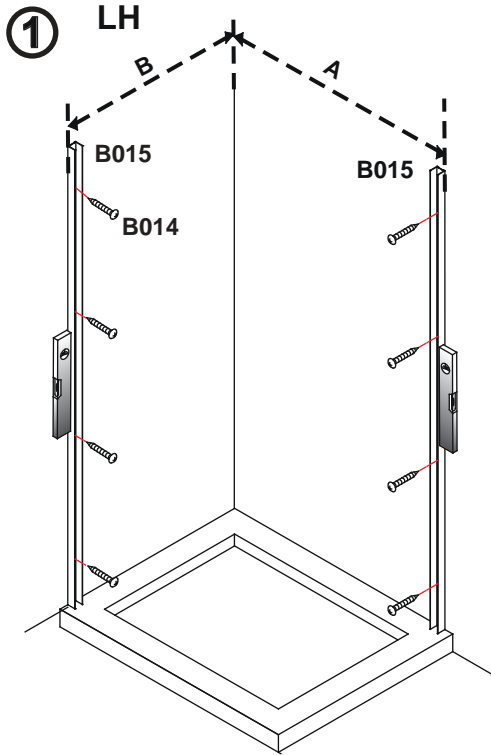
6



Slider Door and Side Panel

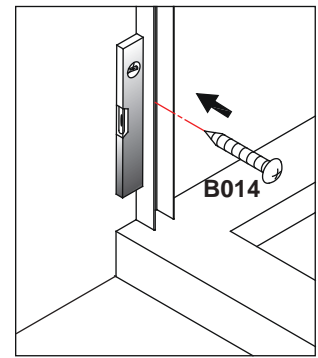
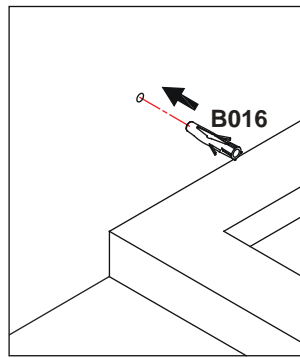
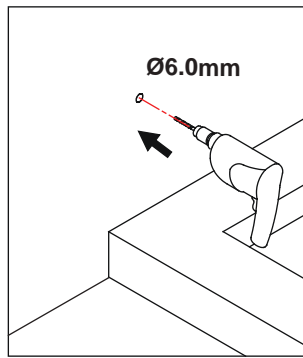
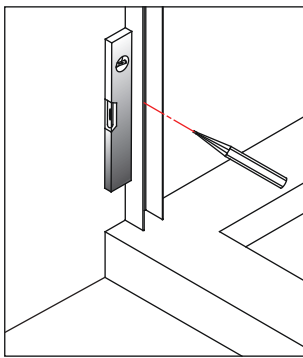
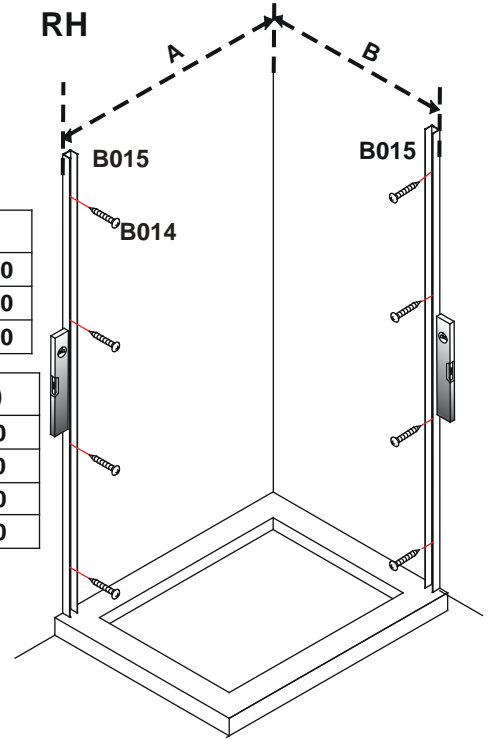
This instruction relates to the combination of the slider door with a side panel, and should be used in conjunction with the assembly instructions of the slider door.

Please review carefully both instructions before you begin assembly, and follow the steps accordingly.

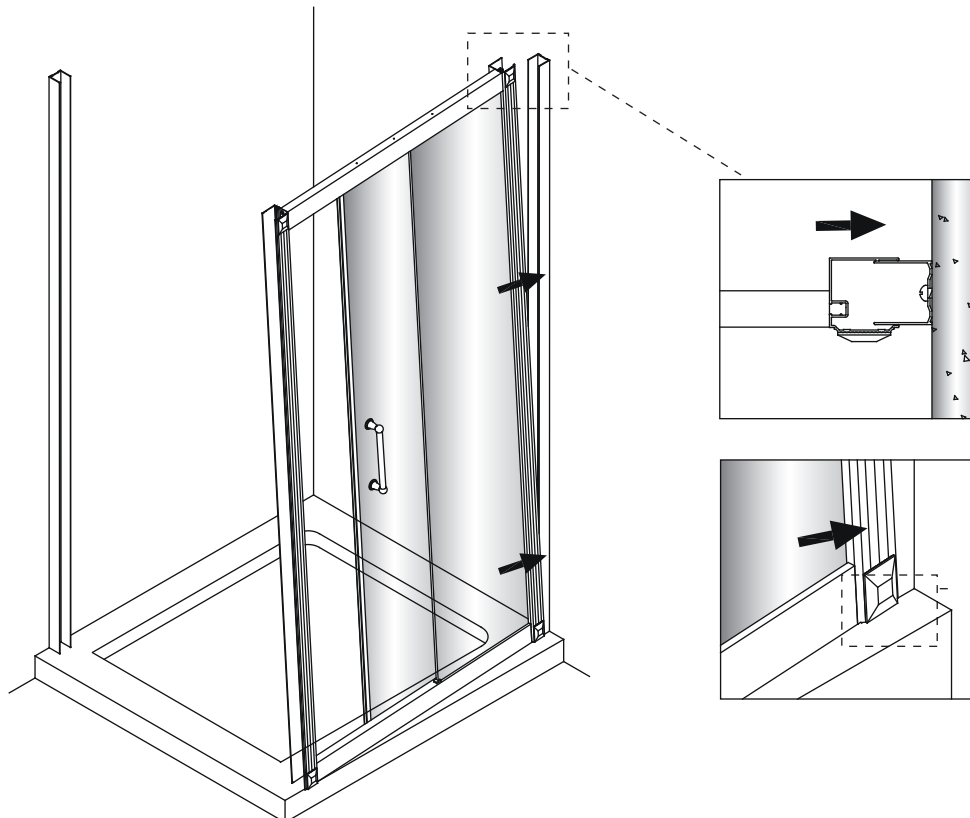


Item	A (mm)
C6S 1100 Slider door	1060 ~ 1080
C7S 1200 Slider door	1160 ~ 1180
C8S 1400 Slider door	1360 ~ 1380

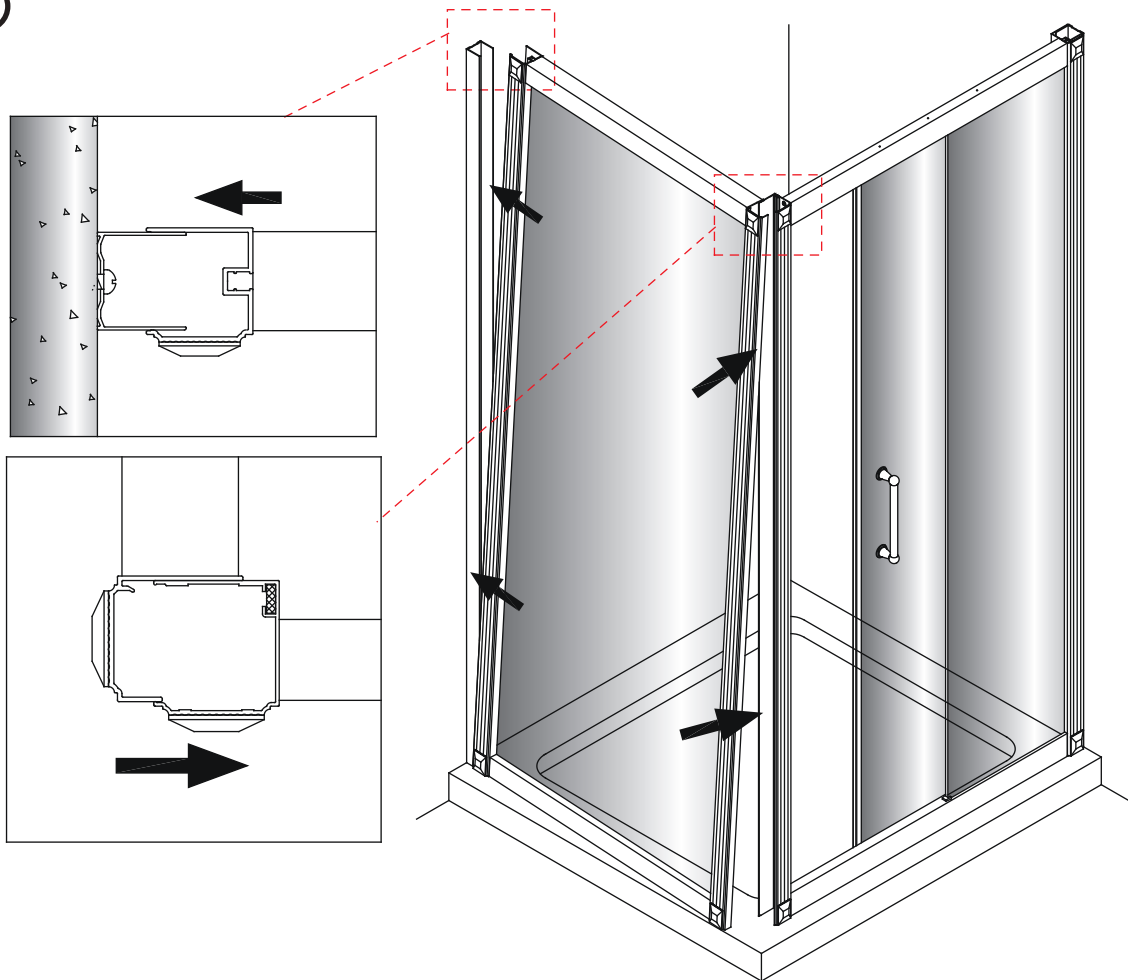
Item	B (mm)
C11 700 Side Panel	660 ~ 680
C12 760 Side Panel	720 ~ 740
C13 800 Side Panel	760 ~ 780
C14 900 Side Panel	860 ~ 880



2

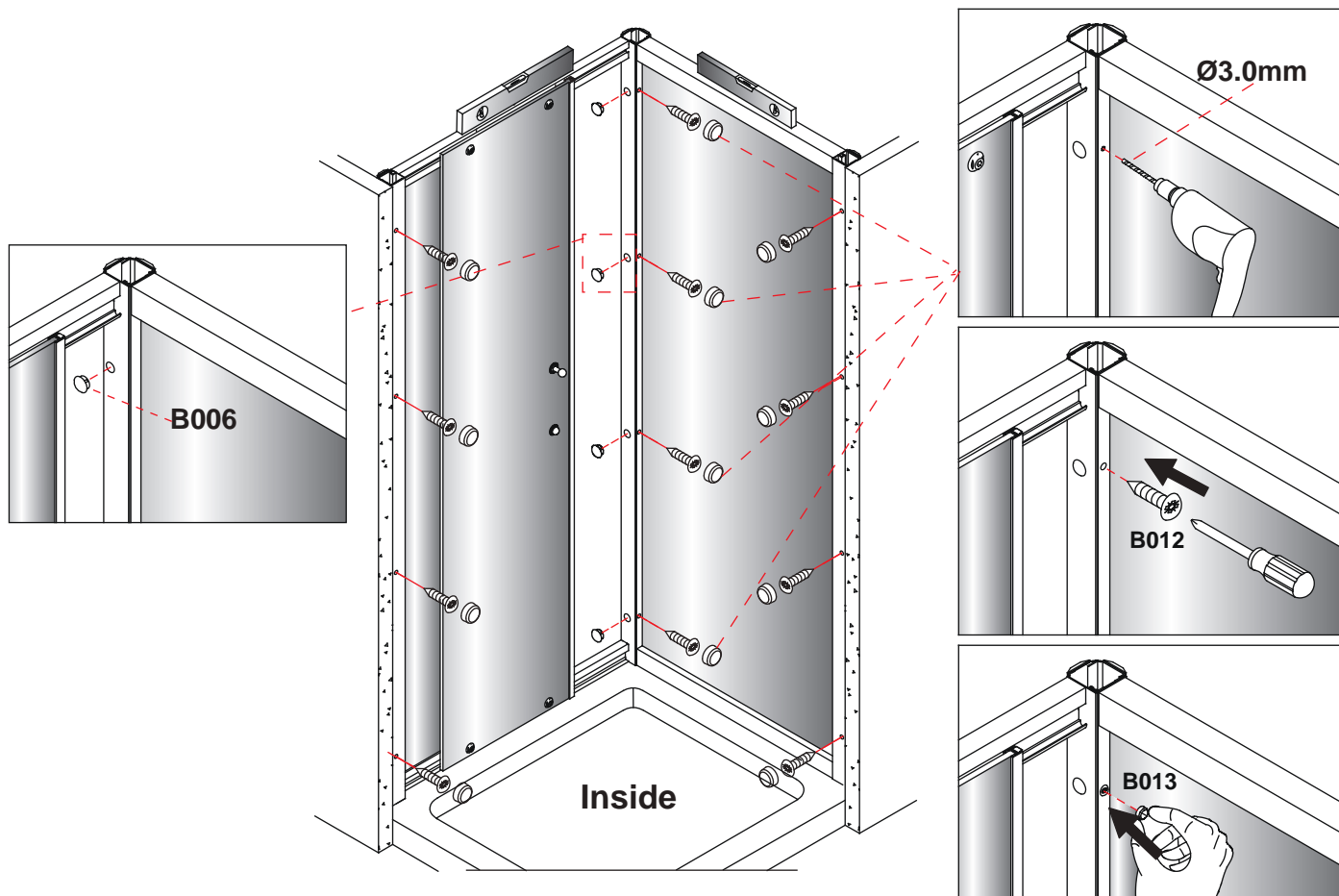


3



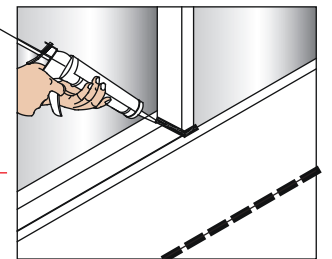
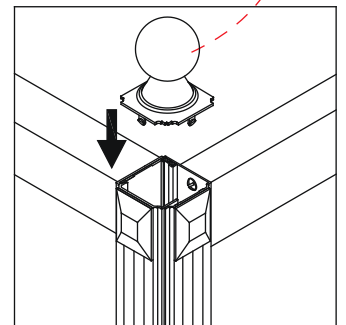
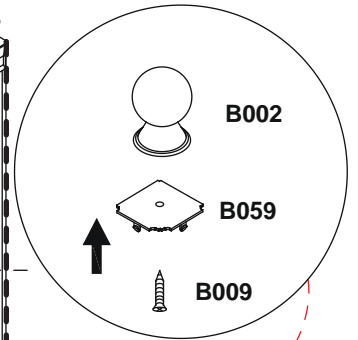
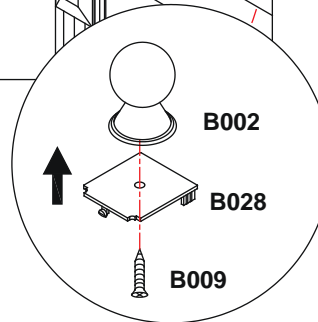
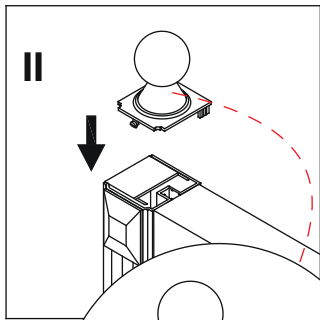
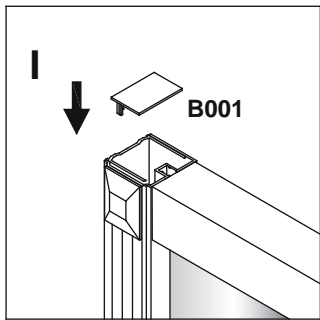
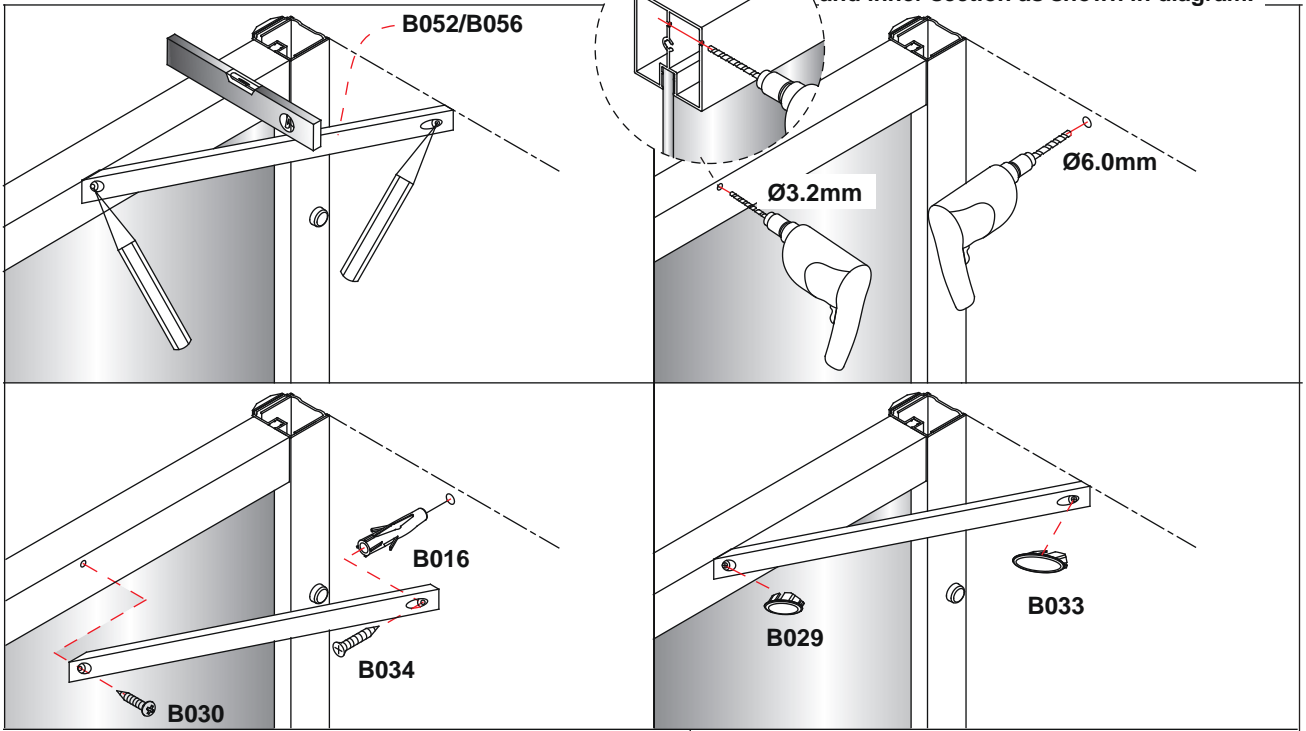
4

Once you have checked that the door opens and closes correctly, fix the door frame to the wall channels.



5 Install the supporting bar supplied with the side panel if necessary.

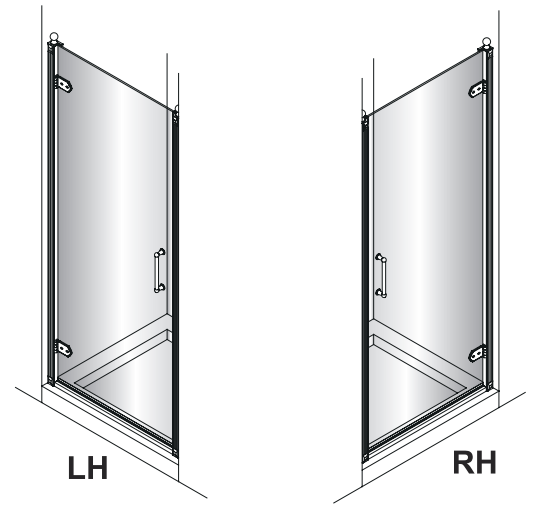
On the top rail drill through the outer and inner section as shown in diagram.



Hinged Door 760 - C19

Hinged Door 800 - C20

Hinged Door 900 - C21



Before Installation:

- Check the contents of the pack carefully before installation.
- The tray **MUST** be installed level and fully sealed to the tiles.
- Handle with care. Impacts can damage both the glass and the frame.
- Check for any hidden pipes or cables before drilling holes in the wall.
- The enclosure is reversible: " door can be either left or right opening. "

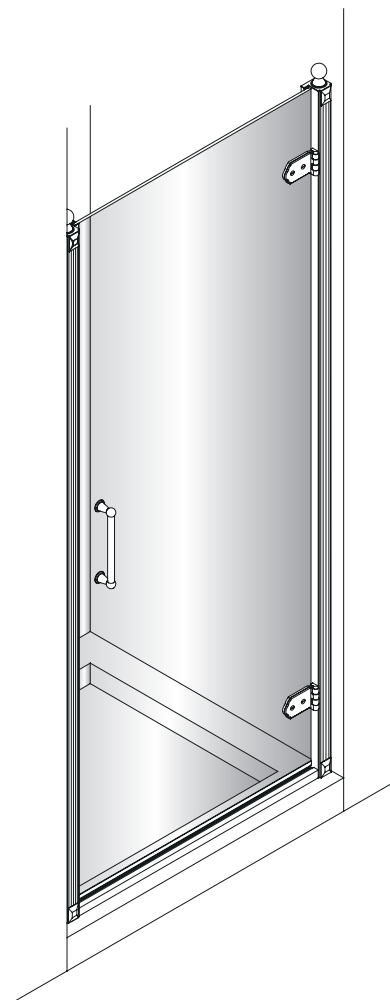
In the remainder of this manual the illustrations will only show the right hand installation of the hinged door.

The parts marked "LH" or " RH" would be only suitable for the relative shower enclosure.

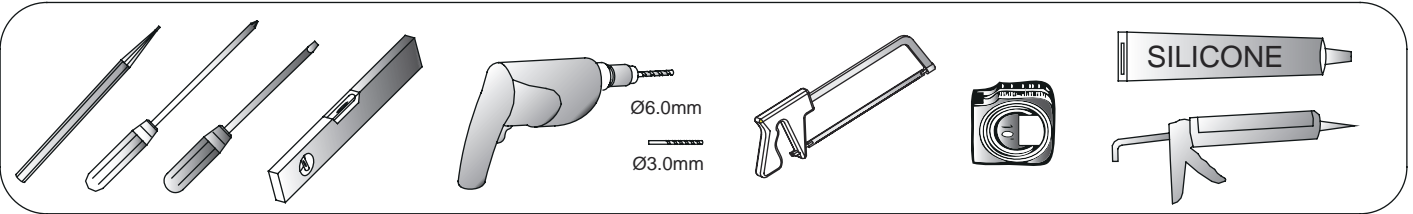
- The wall fixings supplied may not be suitable for your installation. You may need to source alternatives depending on the construction of the wall you are fixing to.
- Follow each step in turn.

Care and Cleaning:

- Do not use solvents or abrasive material or chemicals to clean the enclosure.
- Only clean using soapy water and a soft cloth, rinse thoroughly afterwards.

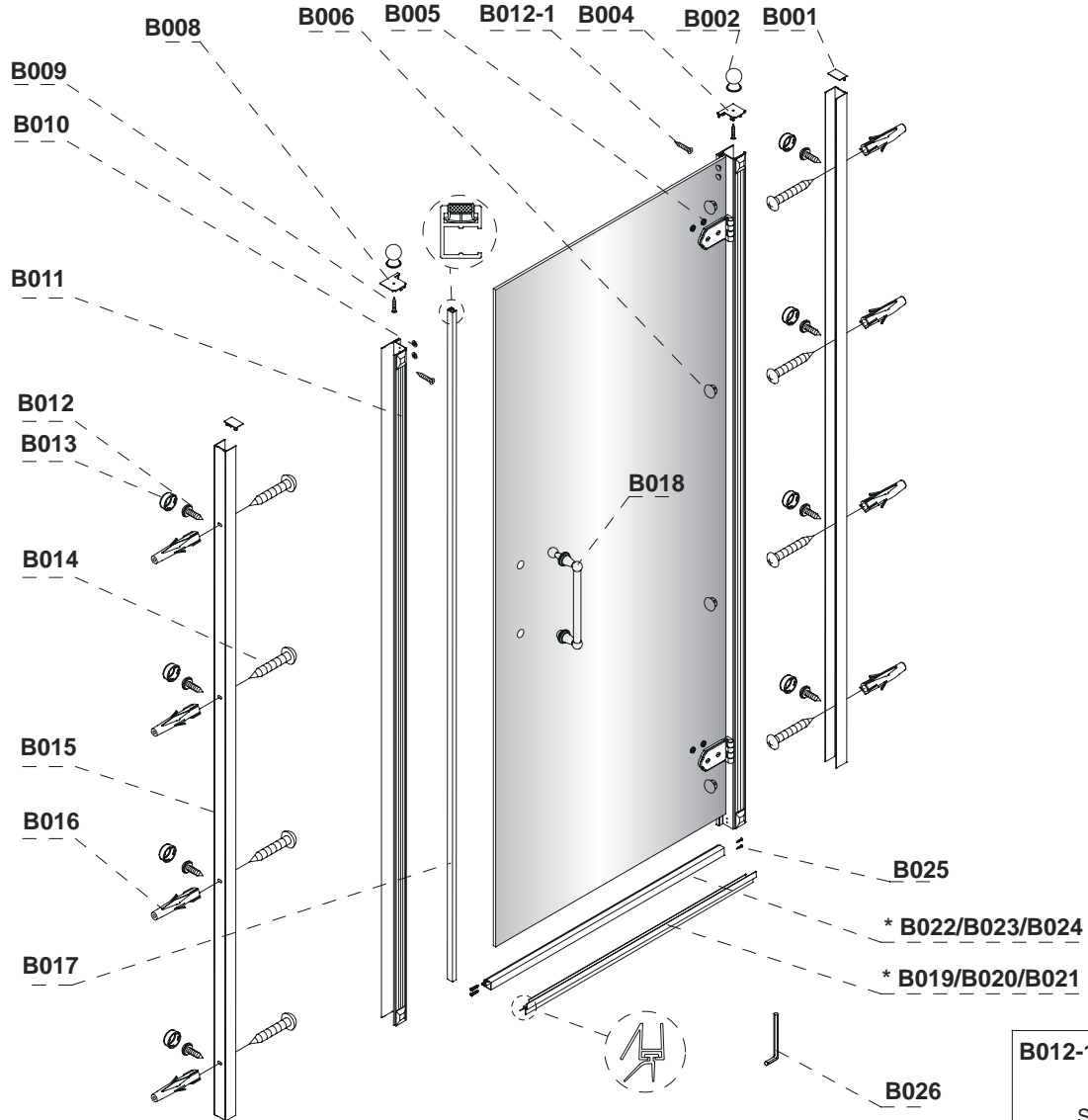


Tools required:



Parts supplied:

Hinged Door



B001 2x 	B002 2x 	B003 1x LH 	B004 1x RH 	B005 4x 	B006 4x
B007 1x LH 	B008 1x RH 	B009 2x ST3.5*16mm 	B010 4x 	B011 1x 	B012 8x ST3.5*10mm
B013 8x 	B014 8x ST4*50mm 	B015 2x 	B016 8x 	B017 1x 	B018 1x
* B019/B020/B021 1x - B019 is for 760 Hinged door - B020 is for 800 Hinged door - B021 is for 900 Hinged door	* B022/B023/B024 1x - B022 is for 760 Hinged door - B023 is for 800 Hinged door - B024 is for 900 Hinged door		B025 4x ST4*30mm 	B012-1 2x ST 3.5*10mm 	
				B026 1x 4mm 	

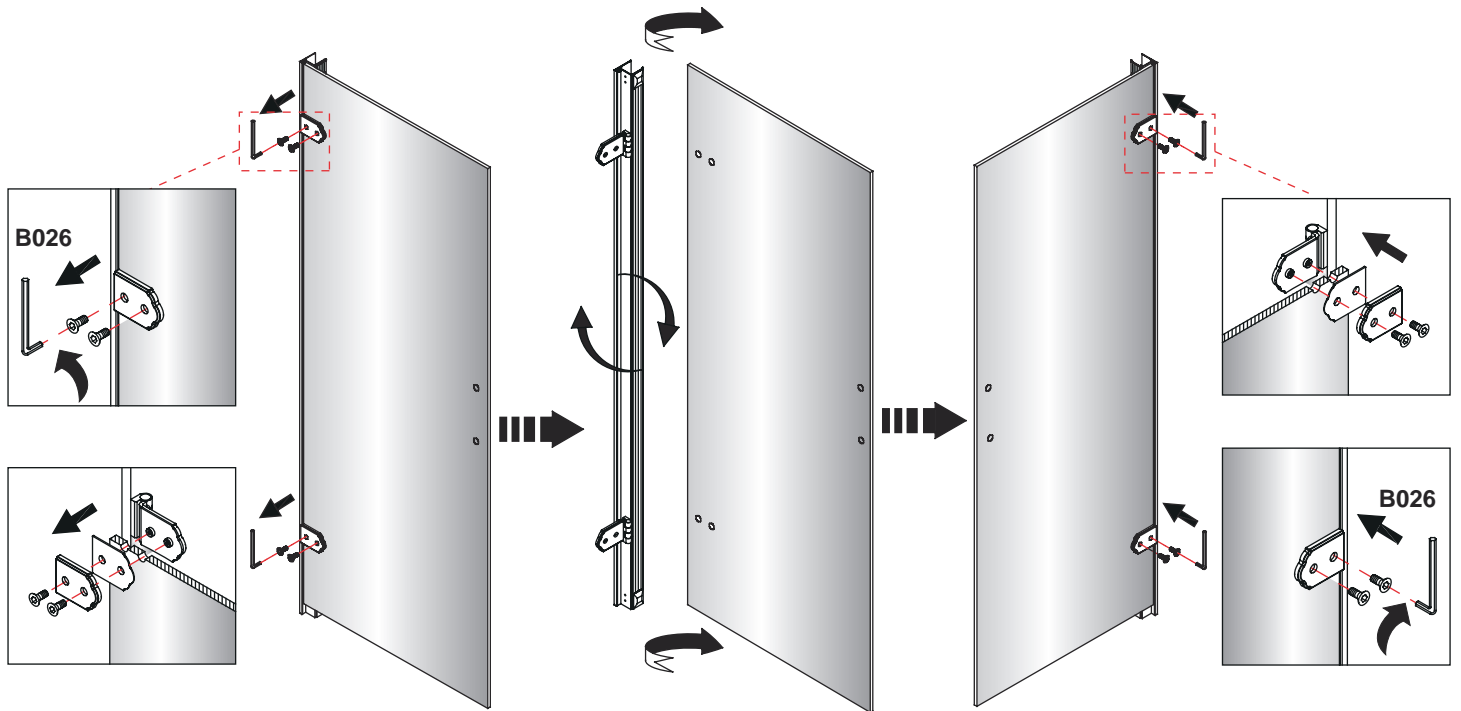


The hinged door is supplied for Right Handed installation. For Left Handed installation please loosen the hinges and reverse the glass as shown below.

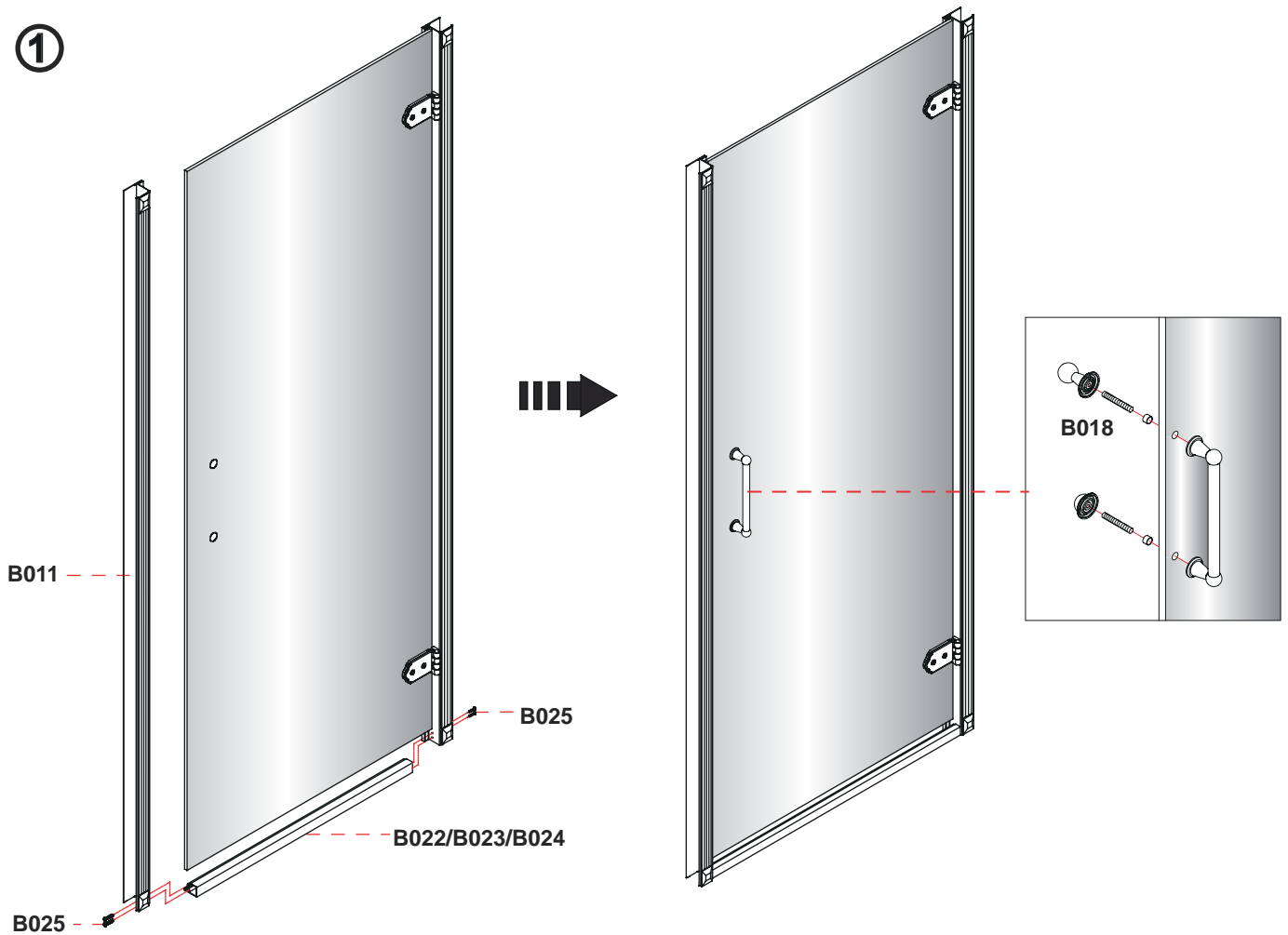
Right Hand



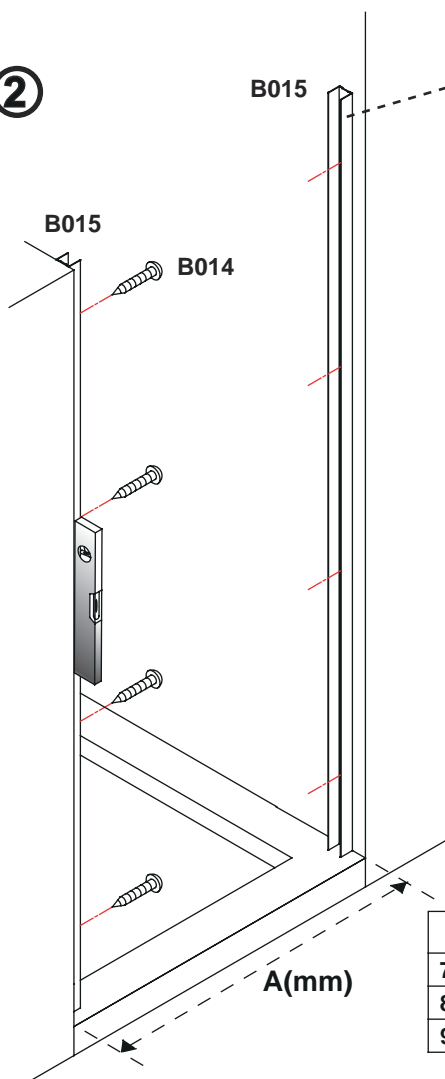
Left Hand



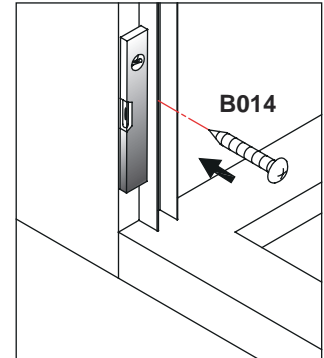
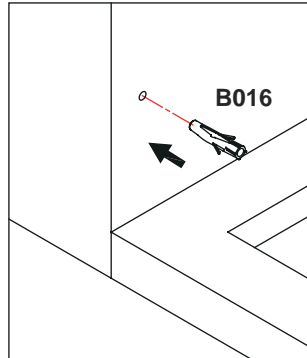
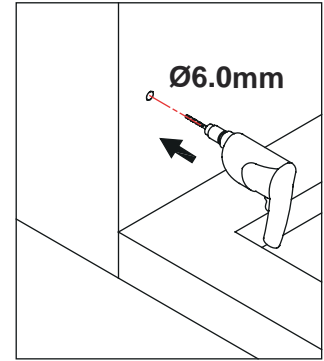
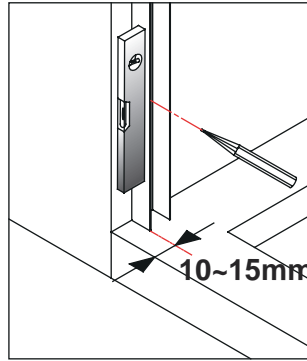
①



②

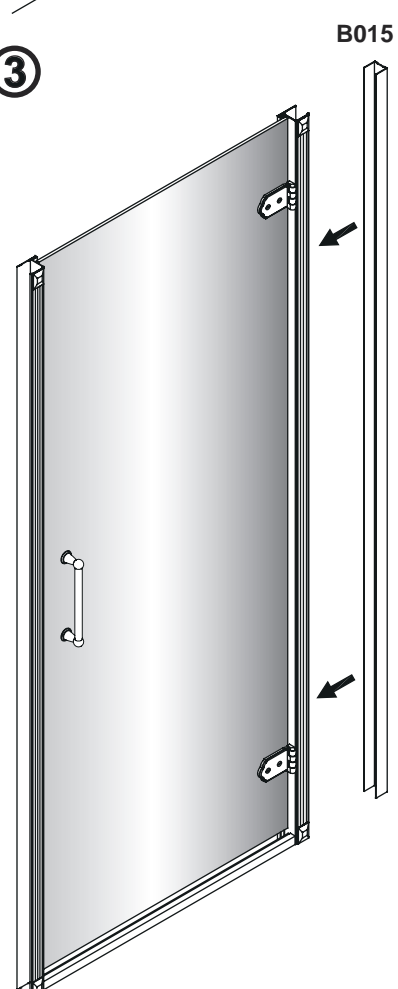


At this step the wall profile on the hinged side should not be fixed to the wall, and should be done at step 5.

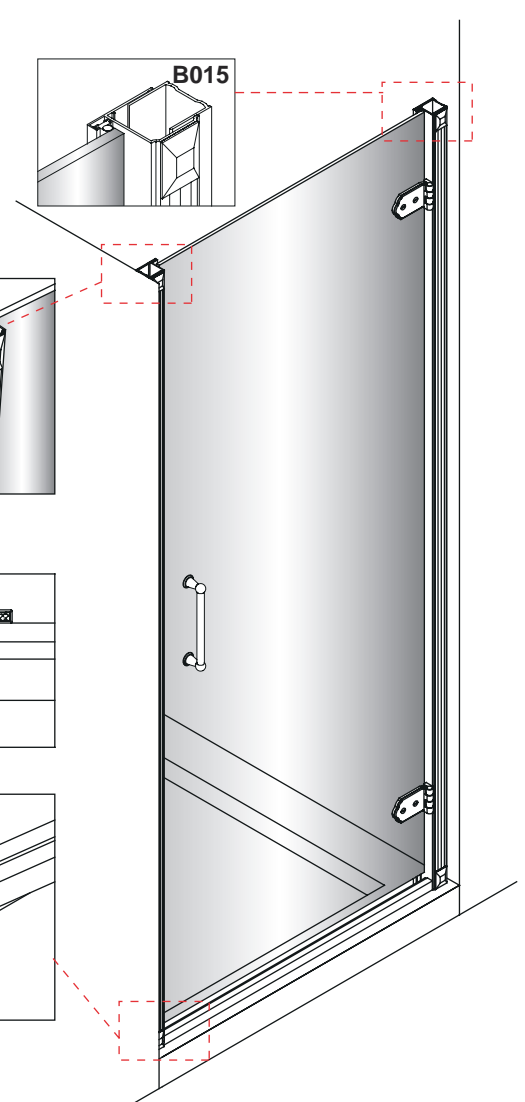
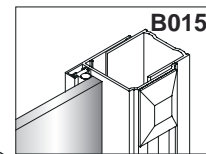
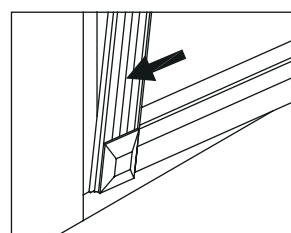
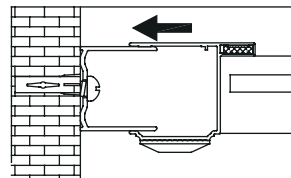
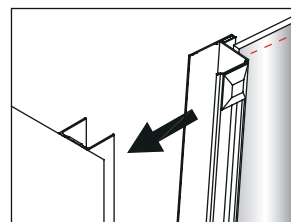


Item	A (mm)
760 Hinged door	720 ~ 760
800 Hinged door	760 ~ 800
900 Hinged door	860 ~ 900

③

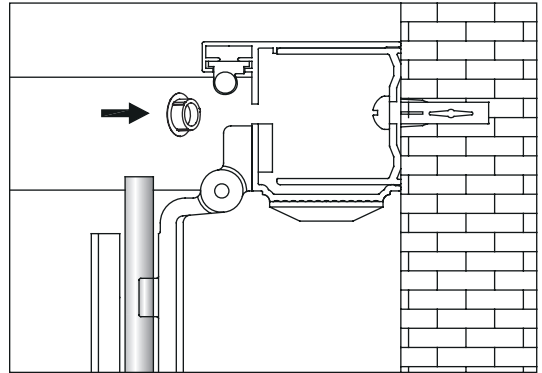
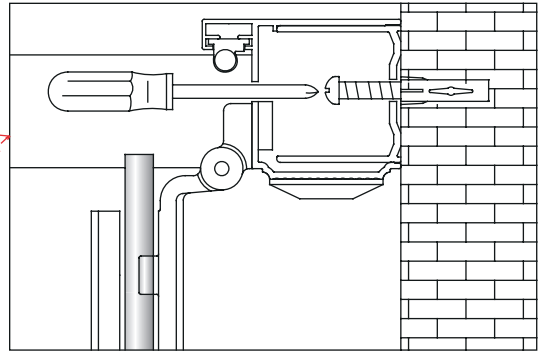
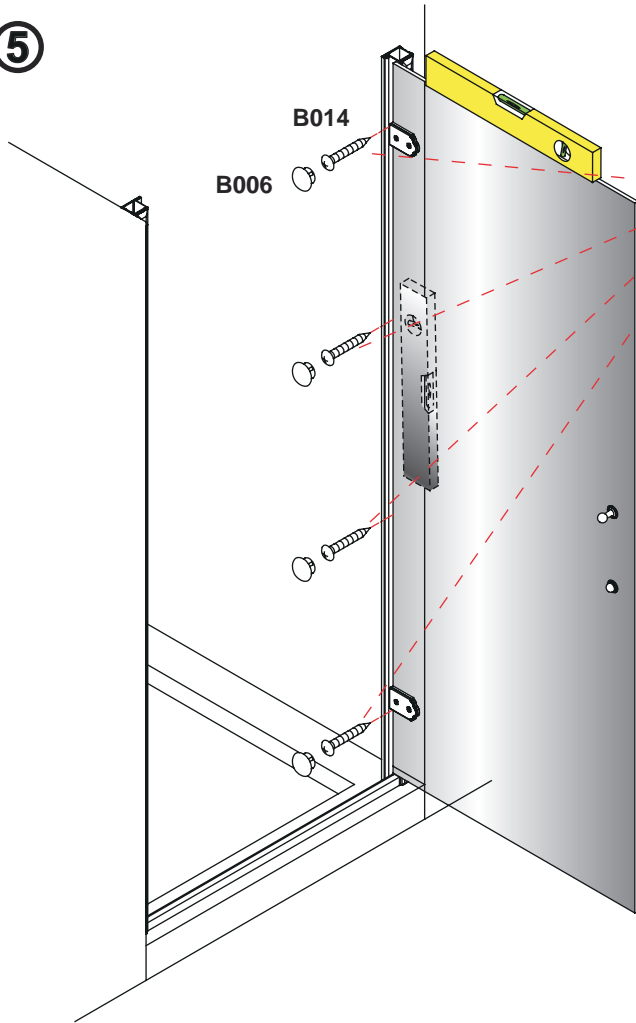


④

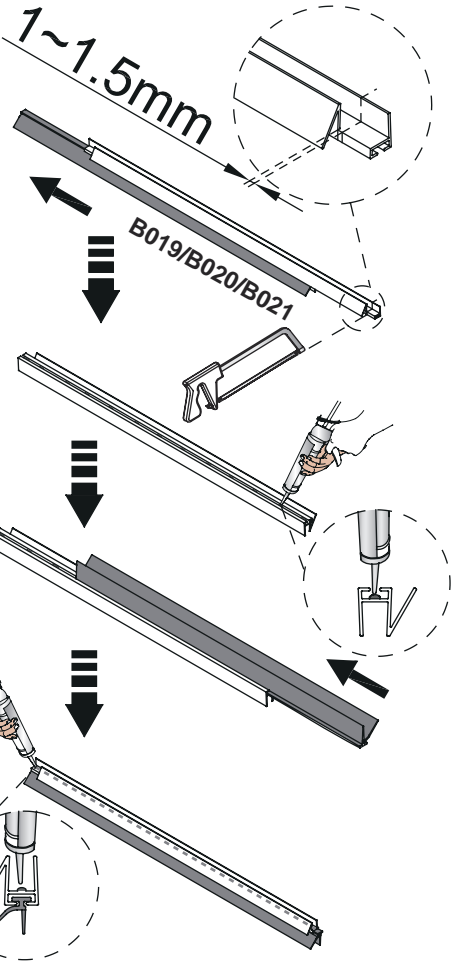


5

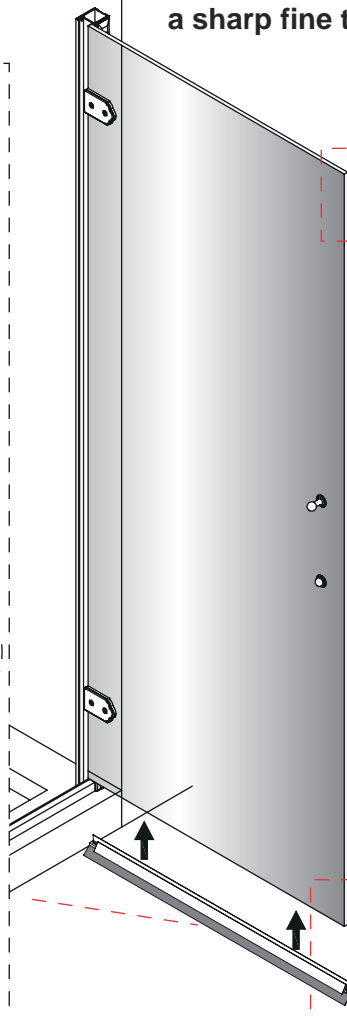
B014
B006



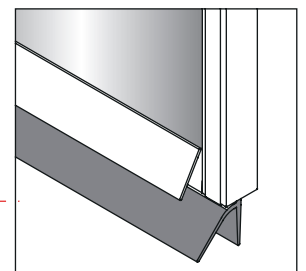
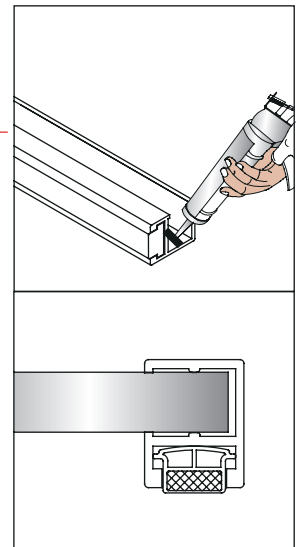
6



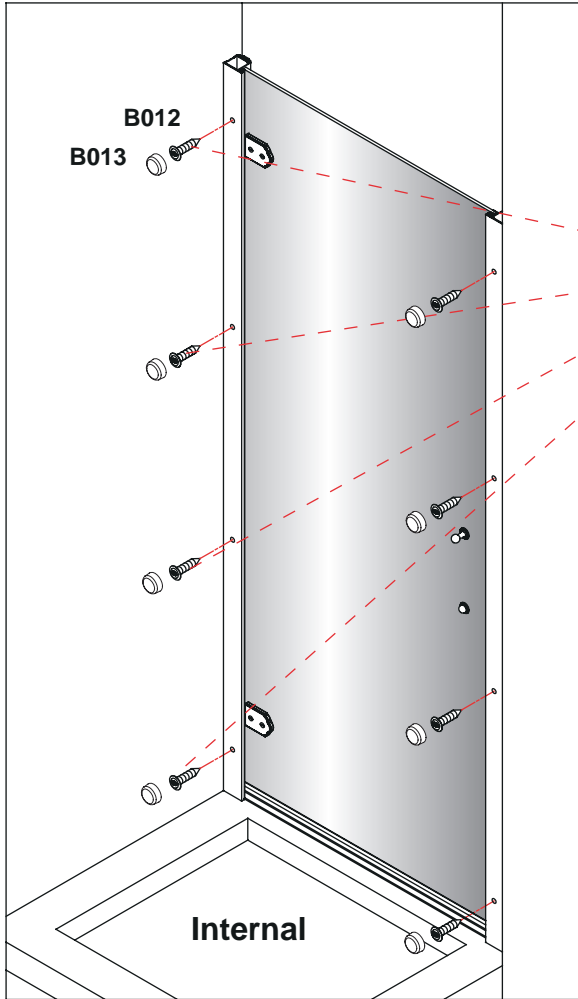
* Please note when cutting parts B019/B20/B21 a sharp fine tooth hacksaw should be used.



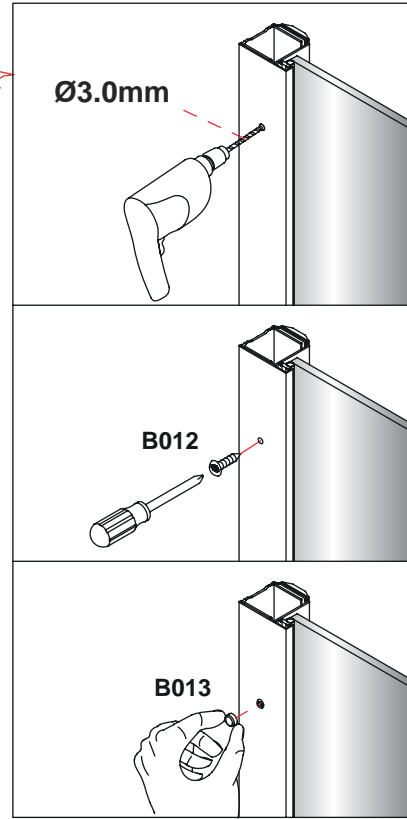
B017



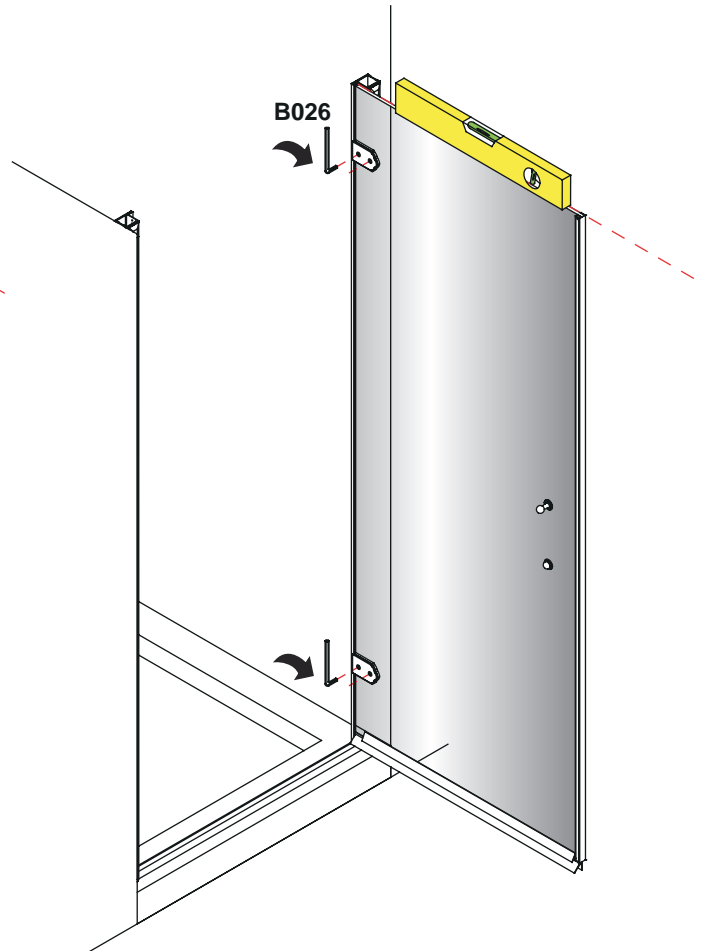
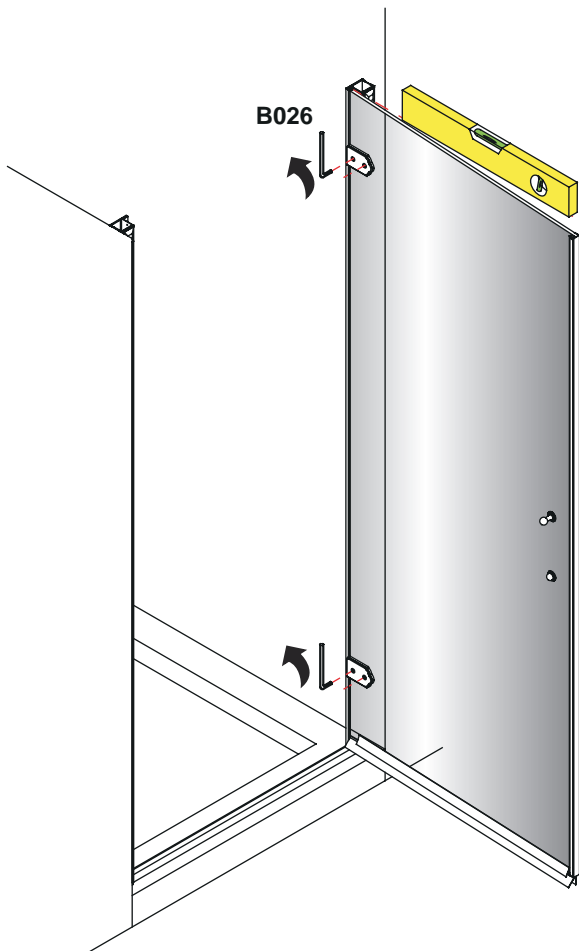
7



Once you have checked that the door opens and closes correctly, fix the door to the wall channels.

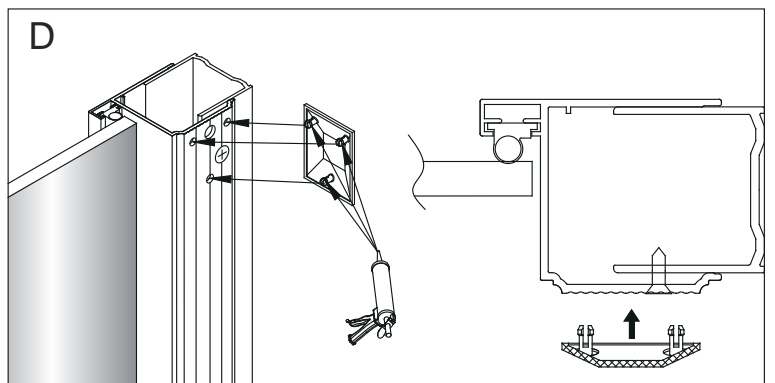
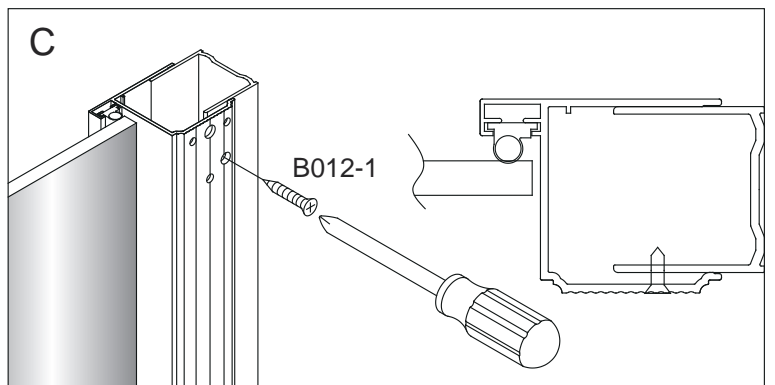
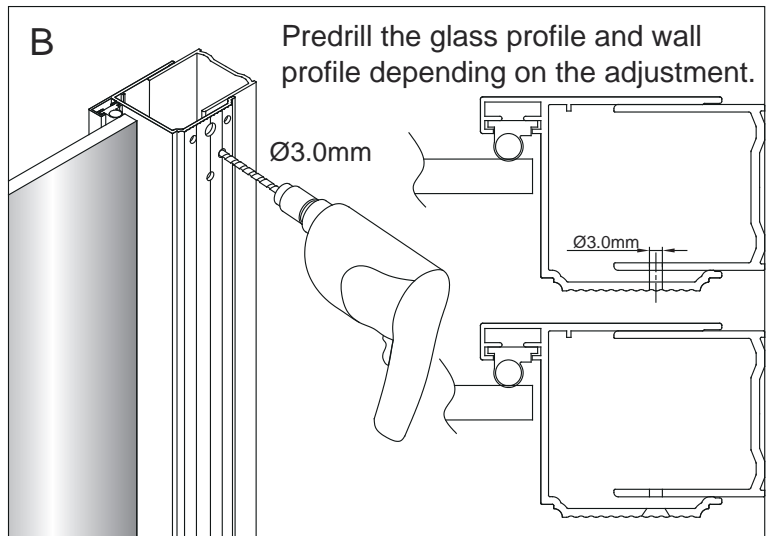
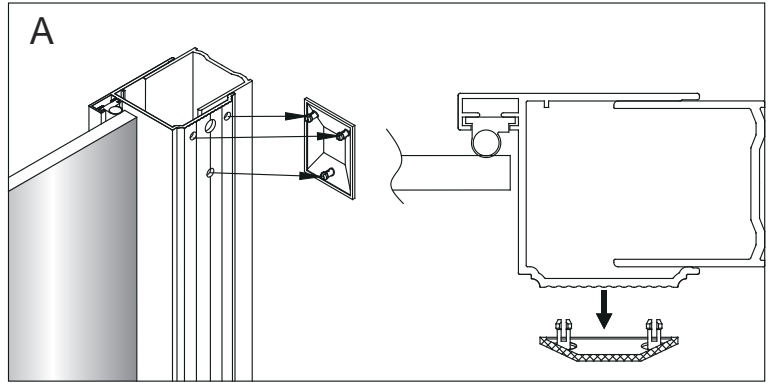
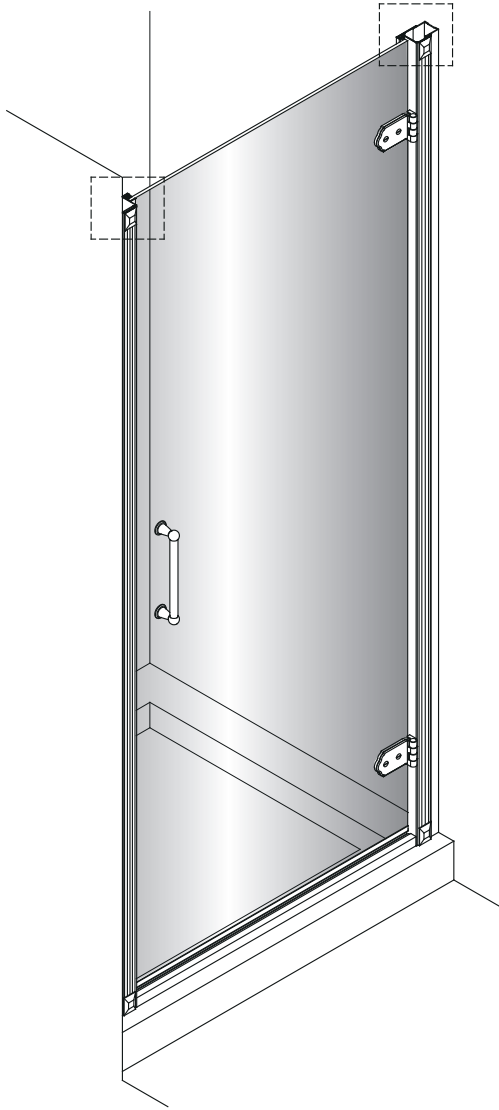


Only if adjustment is required.

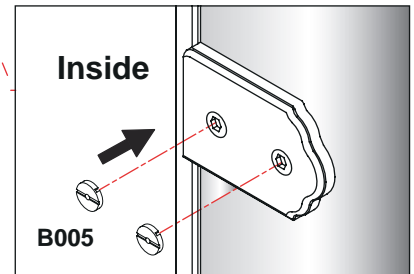
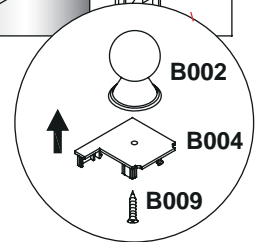
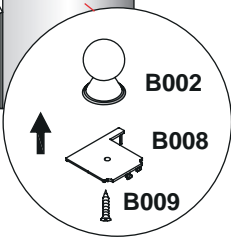
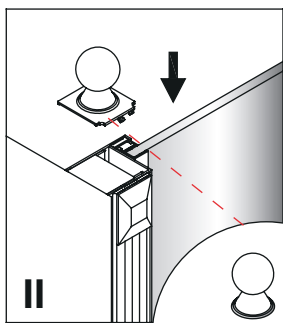
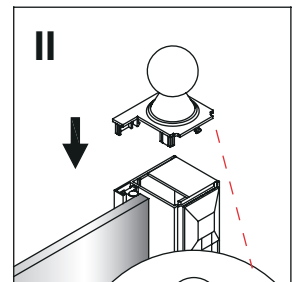
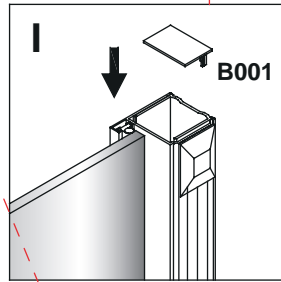
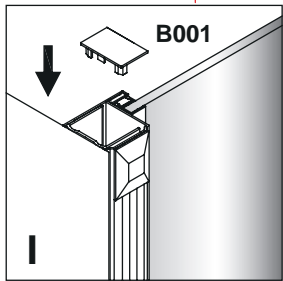




This step is optional ,the installer may follow this step if necessary.



8



9

