

Assembly

- Mount the cistern securely on the wall at the height of 2060mm from the underside of the cistern to the floor using the fixing holes through the rear of the cistern (**See hint 1**).
- Join the two **flush pipes** together and silicone the joint.
- Use the **brass fixing nut** (as part of the **decorative cover**) to fix in the cistern fittings. Place the **decorative cover** and **plastic fixing nut, plastic washer, cone shaped washer** (supplied as parts of the cistern fittings) over the top of the **flush pipe** (longer end of the **flush pipe**) and insert into the **threaded siphon stem** (supplied as part of the cistern fittings). Once the **flush pipe** is secured by the **plastic fixing nut**, screw the **decorative cover** up to the **brass fixing nut**.
- Insert the lower end of the **flush pipe** into the pan via the **flush cone** (supplied as part of the cistern fittings).
- Locate the **buffer clip** so as to prevent collision between the seat and flush pipe. This **buffer clip** will also secure the **flush pipe** to wall by fixing the **buffer clip** upto wall.
- Put in the **control bracket** first, then join the **pull handle** to the lever arm. Fix the **control bracket** to the wall 180mm above the **pull handle**.
- Mount the **ornate brackets** using the screws provided snugly under the cistern (**See hint 2**).

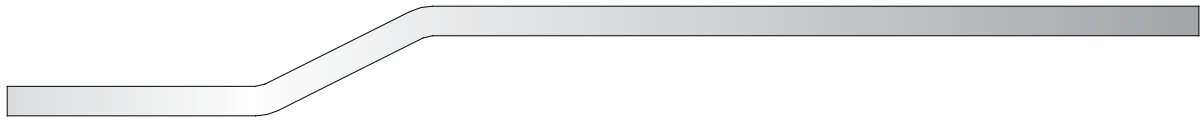
HANDY HINT

1. When installing your cistern, ensure that the **rubber spacing washers** are used to create a small gap between the cistern back and the wall. There are two reasons for this; firstly it will help to reduce the possibility of condensation when cold mains pressure is contained within a humid environment and secondly, the gap will help prevent “thermal shock”. This is when rapid temperature change occurs (usually overnight) and causes the wall to contract or expand, thus cracking the sanitaryware. When fixing the cistern to the wall it is advisable to insert the screw through a washer (not supplied) on the inside of the cistern. This will prevent the screw damaging the sanitary ware when the screw “bites”.

* If required, for example if the wall is not level, please add additional spacers which are not provided to ensure the cistern is level for fixing to the flush pipe.

2. **The ornate brackets are purely decorative.** They should not be used as support for the cistern. Always ensure that the cistern is firmly and securely fixed to the wall via the fixing holes at the rear of the tank.

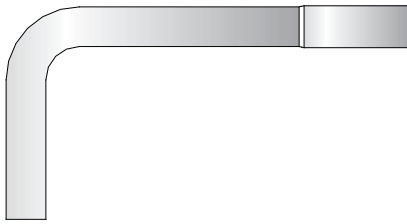
Parts supplied:



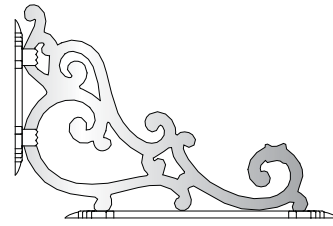
upper flush pipe 1x



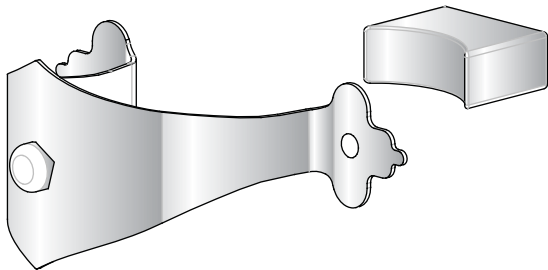
pull handle 1x



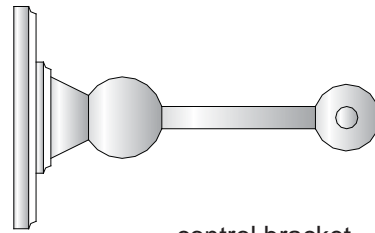
lower flush pipe 1x



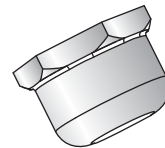
ornate bracket 2x



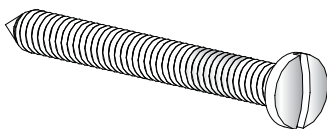
buffer clip 1x



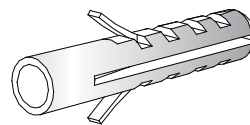
control bracket 1x



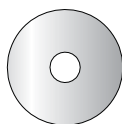
decorative cover & brass fixing nut 1x



screw 12x



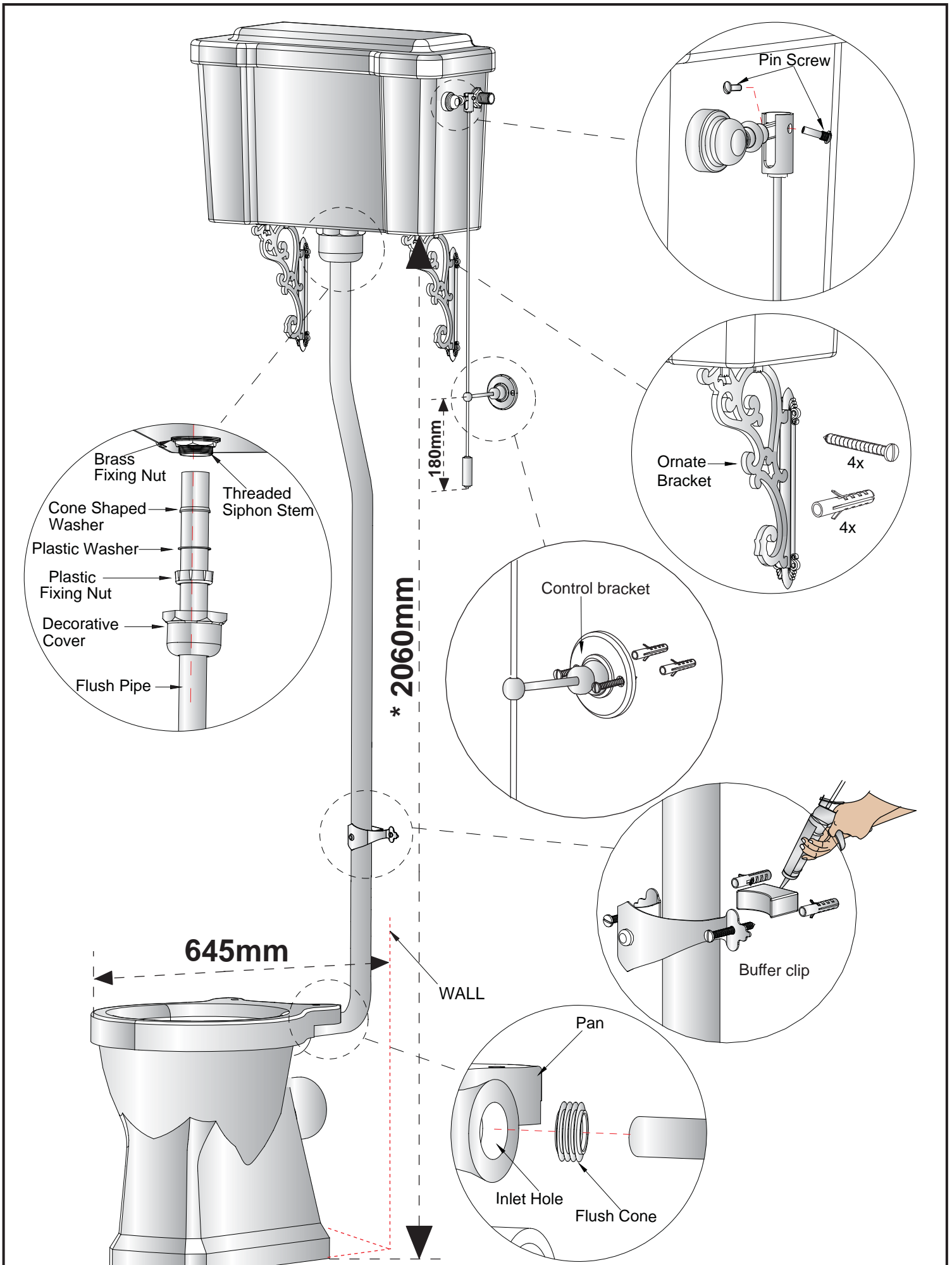
rawl plug 12x



rubber spacing washer 4x



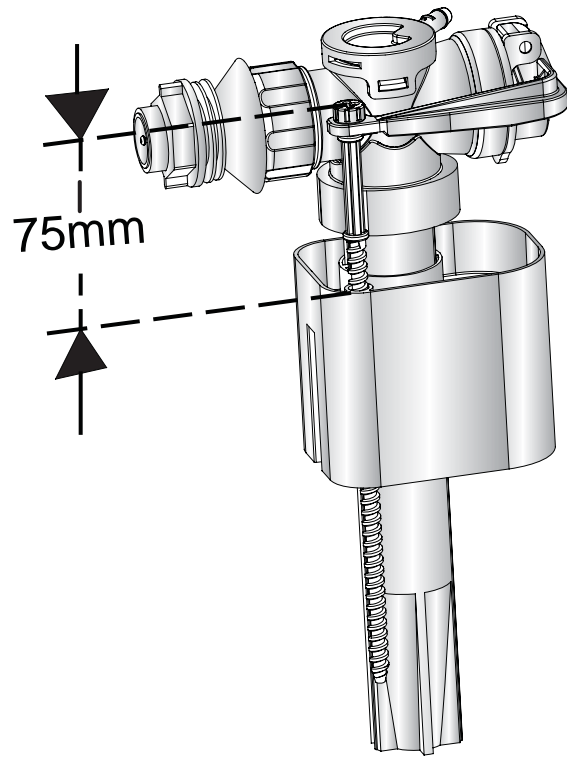
pin screw 1x



Note:
 645mm measure is only recommended installation
 and the final decision should be made by the plumber
 on site depending on the installation circumstance.

*** The maximum overall height is 2060mm.**
*** The minimum overall height is 1980mm.**

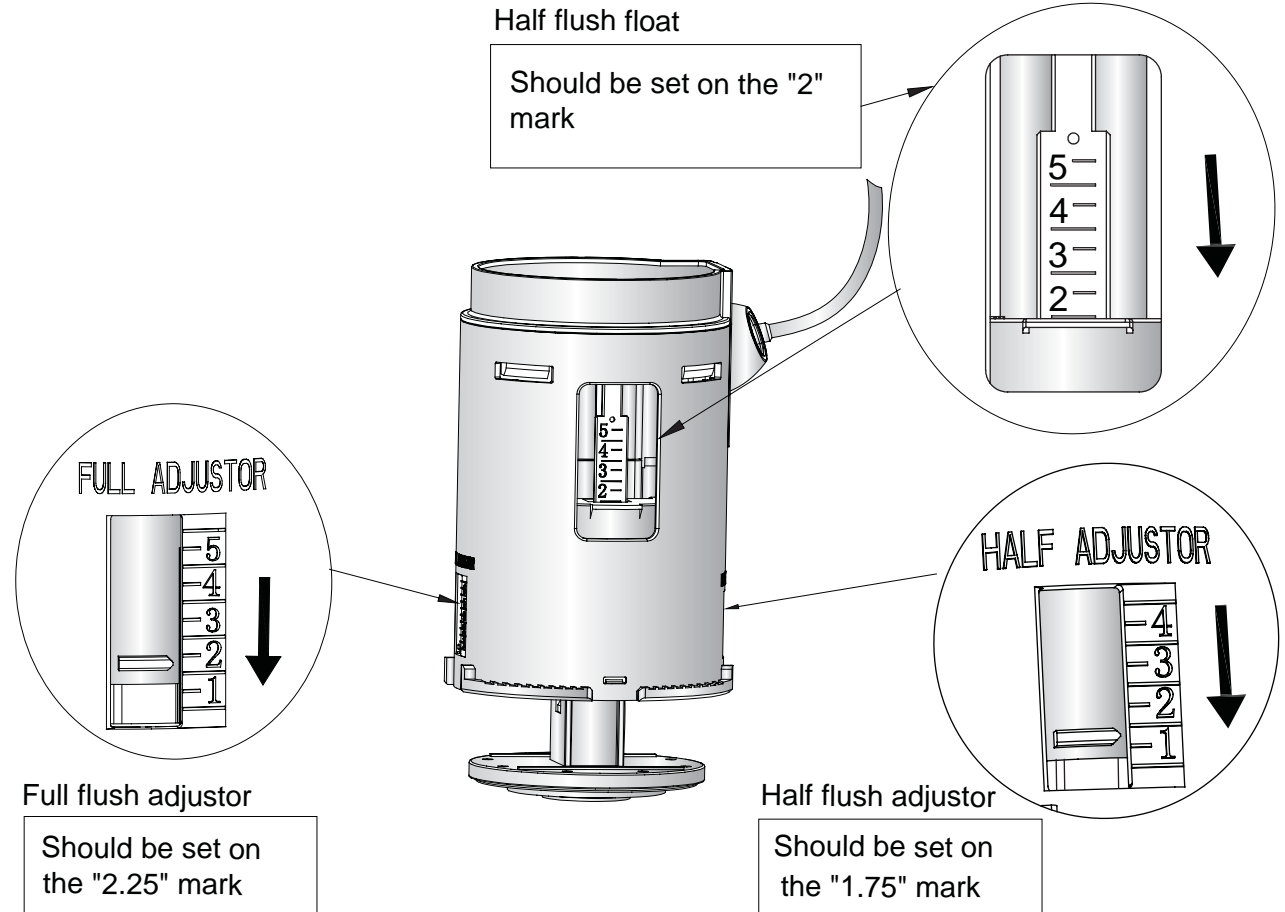
1: Inlet Valve



Note:

The Inlet Valve can be adjusted to suit the High Level Cistern - C5. The valve is preset for 6L full flush and 3L half flush. The above diagram indicates the correct setting for 4.5L full flush and 2.6L half flush. For adjustment method, please refer to the installation instruction supplied with the cistern fittings.

2: Flush Valve



Full flush adjustor

Should be set on the "2.25" mark

Half flush adjustor

Should be set on the "1.75" mark

Note:

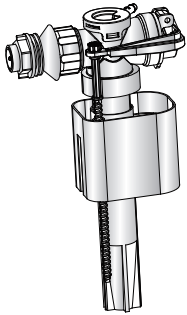
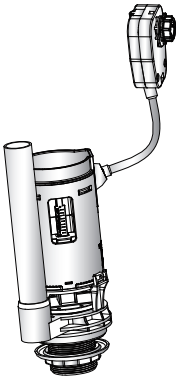


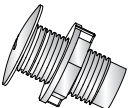



The Flush Valve can be adjusted to suit the High Level Cistern - C5. The valve is preset for 6L full flush and 3L half flush. The above diagram indicates the correct setting for 4.5L full flush and 2.6L half flush. For adjustment method, please refer to the installation instruction supplied with the cistern fittings.

All WC's come with a 3/6 litre flush as standard which can be reduced to a 2.5/4.5 litre flush for the slimline cisterns
On the High Level WC you must lightly pull the rod down for the 6 litre flush and lightly push the rod up for the 3 litre flush



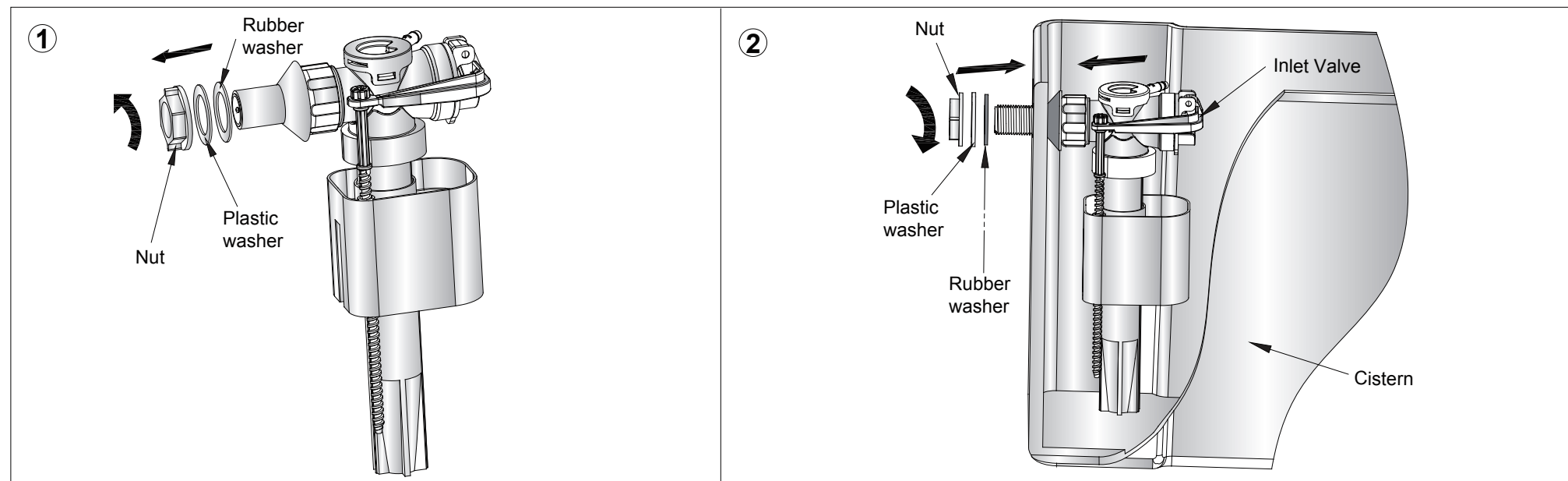
Please note that it is imperative that there are no loops or kinks in the yellow tube when installed and that the lever is not operated with excessive force as this will damage the cable inside the tube that lifts and lowers the flush valve causing the flush to fail beyond repair

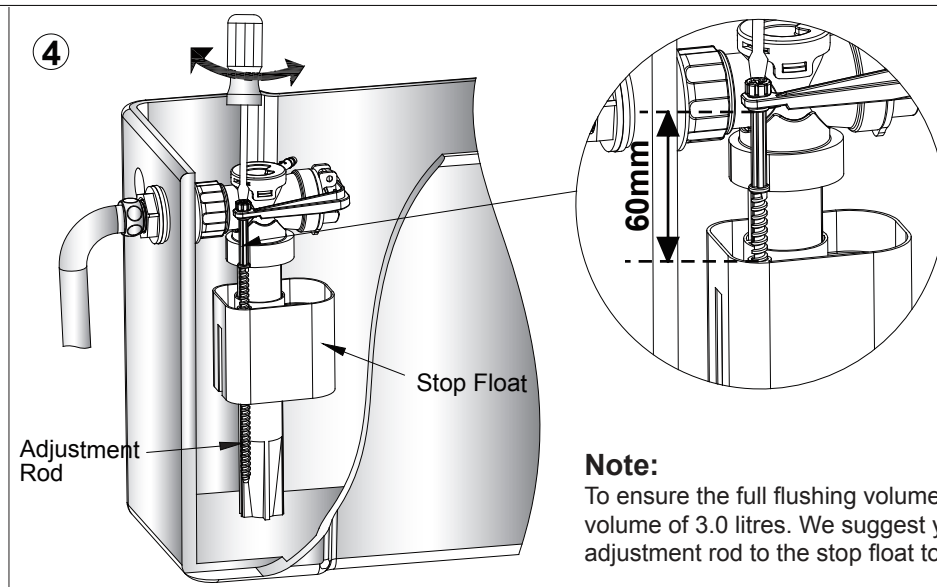
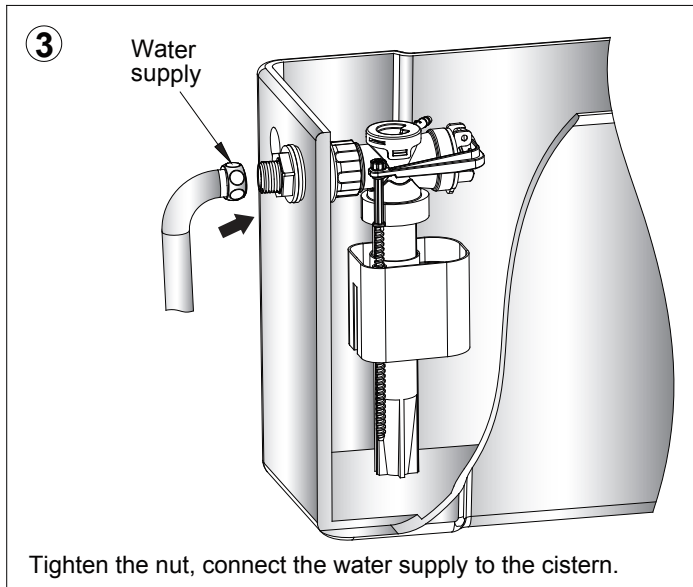
Parts supplied:

 <p>Inlet Valve 1x</p>	 <p>Flush Valve 1x</p>	 <p>Lever 1x</p>	 <p>Flush Cone 1x</p>
		 <p>Cover 1x</p>	 <p>Plastic Washer 1x</p>
			 <p>Cone Washer 1x</p>
			 <p>Fixing Nut 1x</p>

- Please read these instructions carefully to avoid damage to the valves, and to ensure correct installation.
- Do not use bleach or bleach based cleaning products in the cistern, as these will cause damage to the seals. We cannot be held responsible or liable for any failure which results from the use of bleach based products.
- Water temperature range +2C to +45C.
- Water pressure 0.2 to 8 bar.

1: Inlet Valve installation and adjustment settings

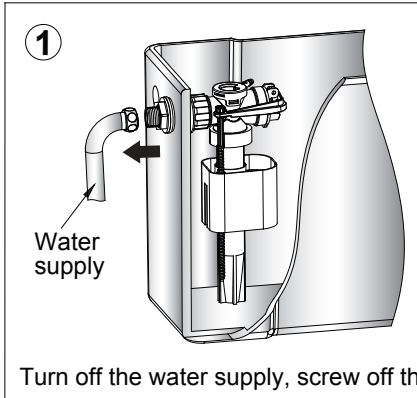




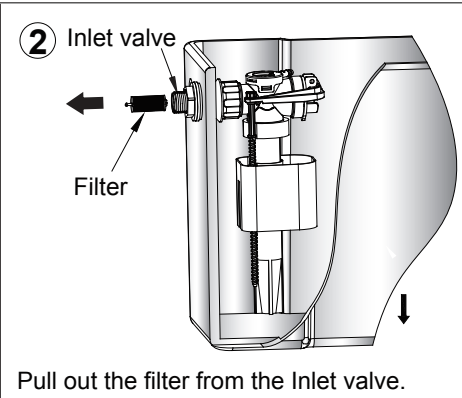
Adjustment the rod:
 A: By adjusting clockwise the water level rises and flush volume increases.
 B: By adjusting anti-clockwise the water level falls and the flush volume decreases.

Note:
 To ensure the full flushing volume of 6.0 litres, and the half flushing volume of 3.0 litres. We suggest you adjust the height from top of the adjustment rod to the stop float to be 60mm.

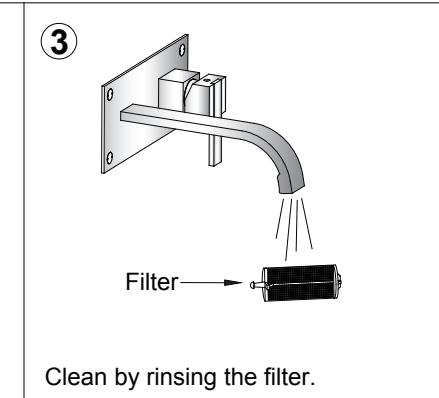
2: Filter cleaning (Please clean periodically)



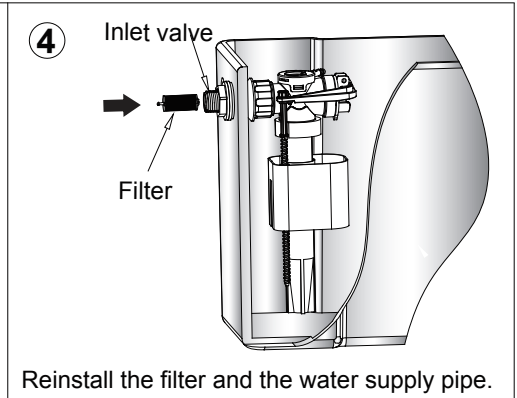
Turn off the water supply, screw off the water supply pipe.



Pull out the filter from the Inlet valve.



Clean by rinsing the filter.



Reinstall the filter and the water supply pipe.

3: Inlet Valve trouble shooting

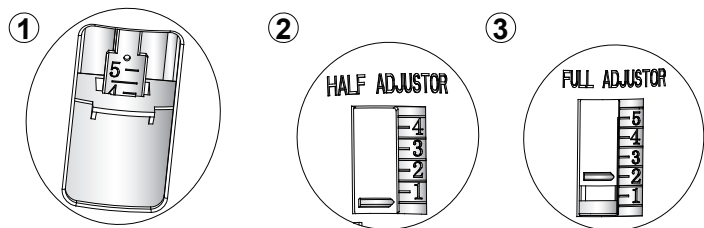
Problem	Reason	Solution
Incorrect water level	Incorrect adjustment.	Adjust the Water level correctly as per diagram above.
Inlet Valve does not work	Water supply is closed.	Open the water supply
	The filter is blocked.	Clean the filter.
	The Stop Float has been over adjusted beyond its operational range.	Adjust the adjustment rod.
Leakage	The Inlet Valve fixing nut has not been tightened.	Tighten the nut.

Flush Valve Installation And Problem Solving

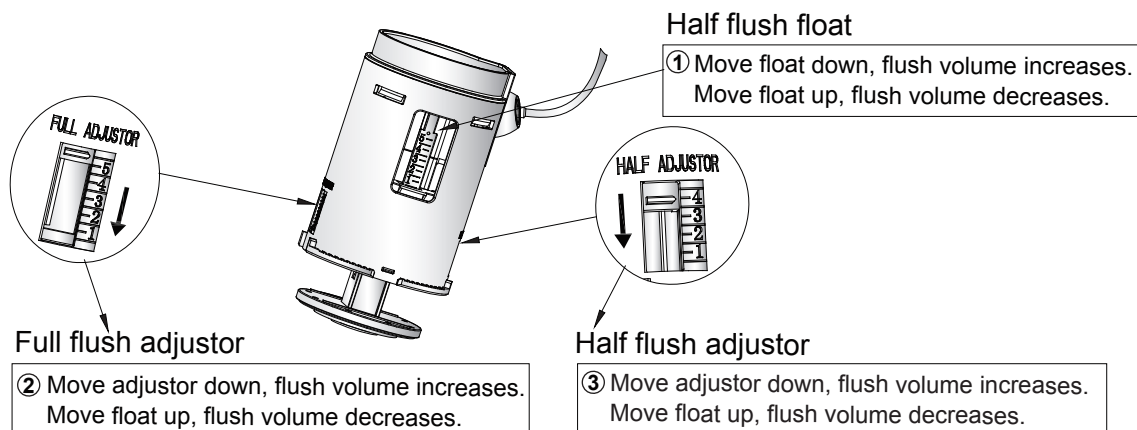
1: Flush Valve scale and adjustment setting

Note: The Flush Valve could be adjusted to reach a full flushing volume of 6.0 litres, and a half flushing volume of 3.0 litres. Please see below diagram A for the recommended settings and adjust method for the flush valve.

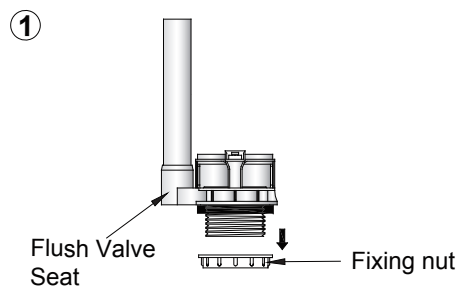
A



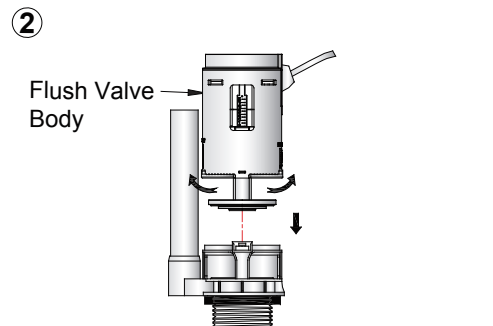
- ① Half Flush Float : should be set on the 4.5 mark
- ② Half Flush Adjustor : should be set at '1' mark
- ③ Full Flush Adjustor : should be set on the '2.5' mark



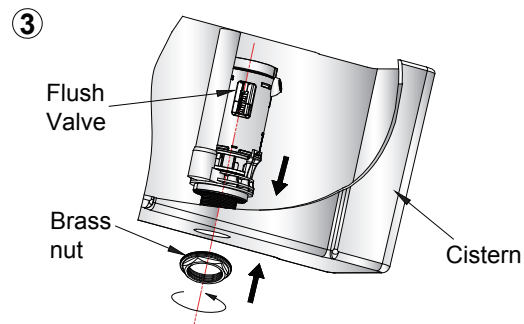
2: Flush Valve installation



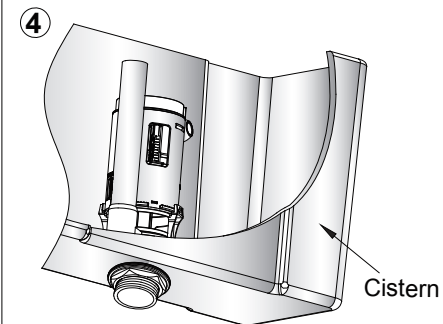
Screw off the fixing nut and discard.



Fix the flush valve body onto the flush valve seat.



Use the brass nut from High Level Flush Pipe Kit to fix the Flush Valve onto the cistern.



3: Flush Valve trouble shooting

Problem	Reason	Solution
Leakage	1. Incorrect installation. 2. Flush valve seat does not fit flush valve body. 3. Flush valve body is stuck.	1. Install again according to the correct installation procedure. 2. Install again. 3. Disconnect and wash flush valve body.
No flush, low flush or half flush volume	Cable is distorted.	Remove kinks or sharp bends in the cable.
Half flush water level is too high or too low.	Water level is adjusted incorrectly.	Adjust water level.

Flush Lever Installation

1: Install Flush Lever Onto Cistern

Flush Lever Box, Fixing Nut, Nut, Anti-rotation Washer, Lever Washer

Pull

Plastic Washer, Rubber Washer

Cistern Lever Hole, Slot In The Thread, B Direction

* The fixing nut should be tightened as much as possible to avoid the cistern lever working loose during operation.

Cistern

* With the lever facing outward and the slot on the thread facing upwards, fix the lever to cistern.

2: Install Lever To Flush Lever box

①

* Make sure the cable is not distorted or kinked.

Insert the box and tighten the nut.

②

* Raise the lever so that it fits into the flush box in the correct position.

* The inlet valve can be installed on either side of the cistern, and a cap is supplied to cover the spare inlet hole.