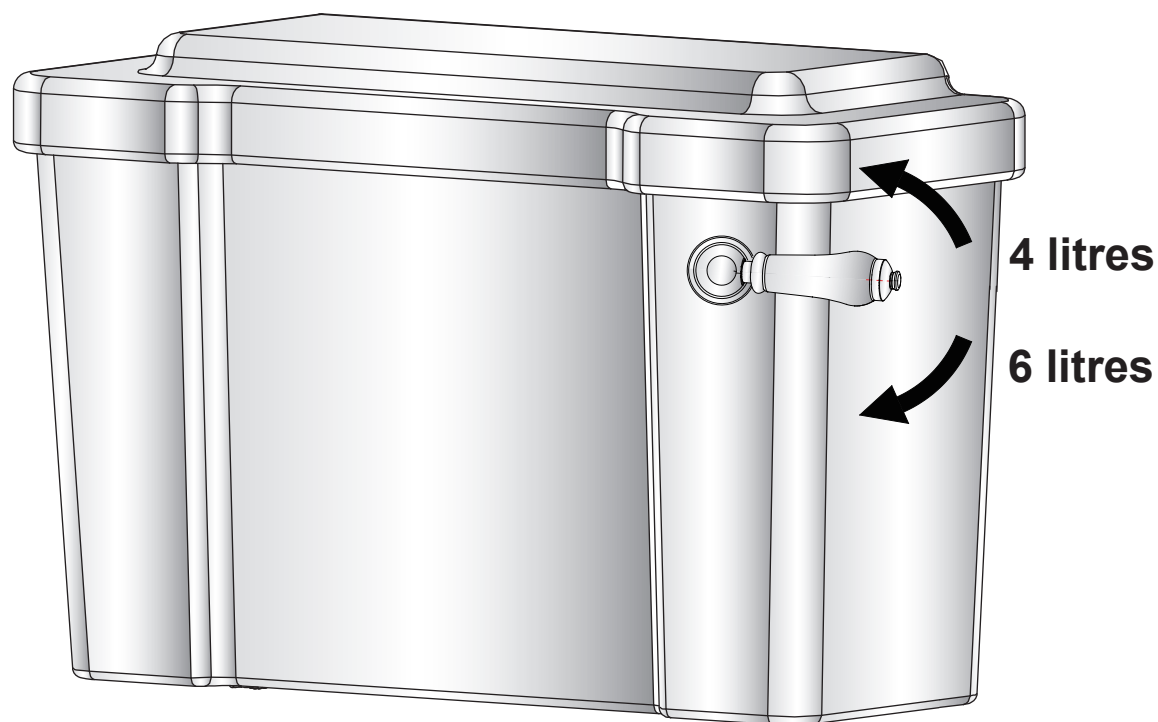
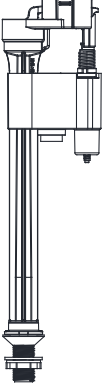
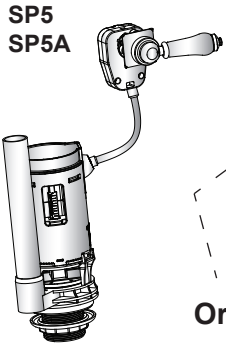
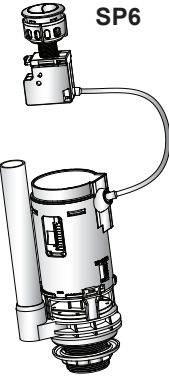
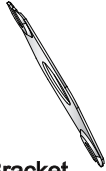
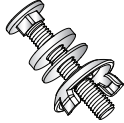
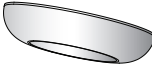







All WC's come with a 4/6 litre flush as standard which can be reduced to a 3/4.5 litre flush for the slimline cisterns
For lever flush cistern fittings, on the Close Coupled, Low Level and Medium Level WC's you must press the lever down lightly for the 6 litre flush and lightly lift the lever for the 4 litre flush.



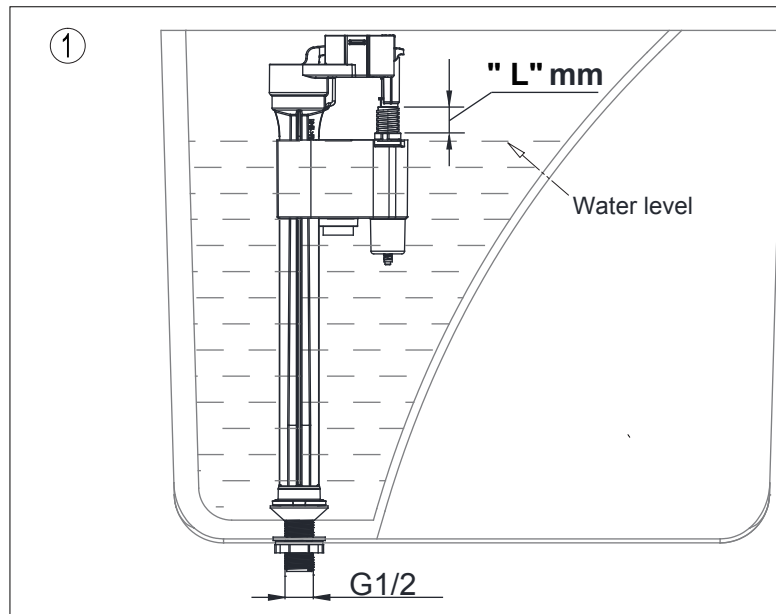
Please note that it is imperative that there are no loops or kinks in the yellow tube when installed and that the lever is not operated with excessive force as this will damage the cable inside the tube that lifts and lowers the flush valve causing the flush to fail beyond repair

Parts supplied:

						
Inlet Valve	Flush Valve	Or	Bracket	Bolt	Rubber Doughnut	Fixing Nut
1x	1x		1x	2x	1x	1x
						
			Lever	Plastic Washer	Cone Washer	Flush Cone
			1x	1x	1x	1x

- Please read these instructions carefully to avoid damage to the valves, and to ensure correct installation.
- Do not use bleach or bleach based cleaning products in the cistern, as these will cause damage to the seals.
We cannot be held responsible or liable for any failure which results from the use of bleach based products.
- Water temperature range +2C to +45C.
- Water pressure 0.2 to 8 bar.

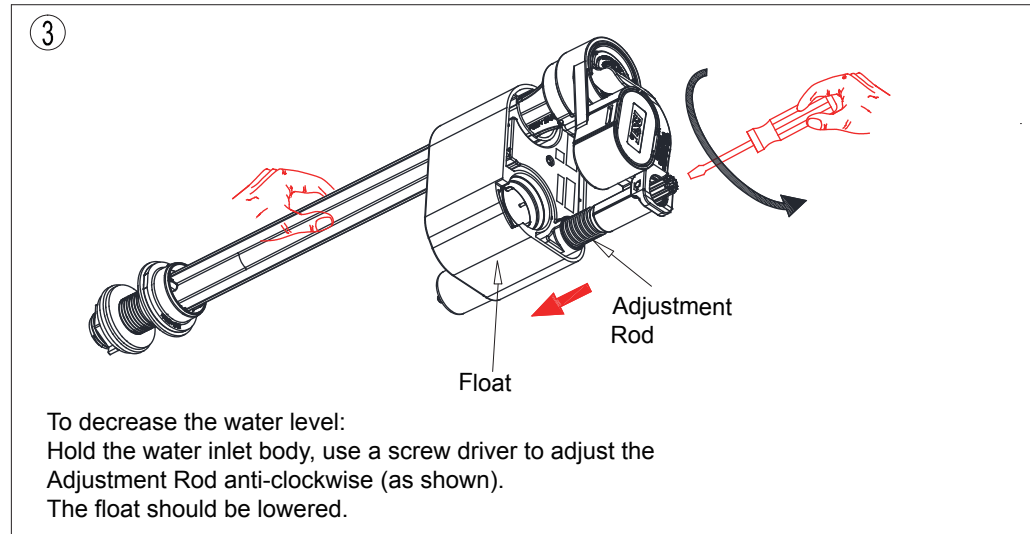
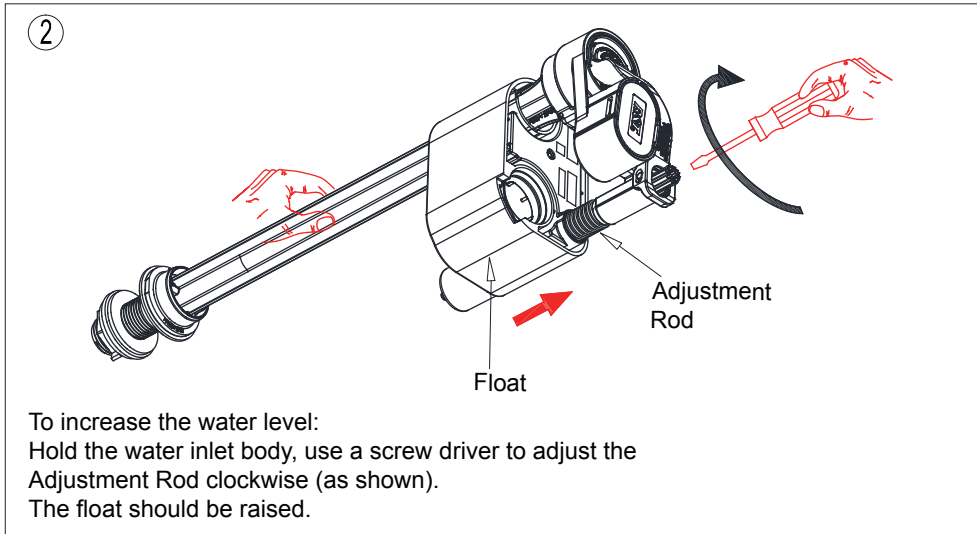
1: Inlet Valve scale and adjustment settings



Note:

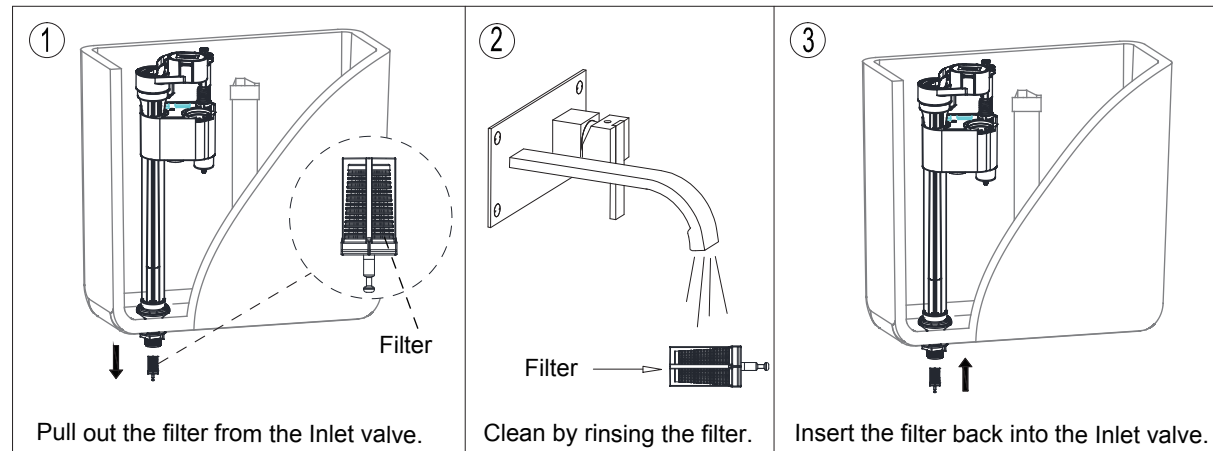
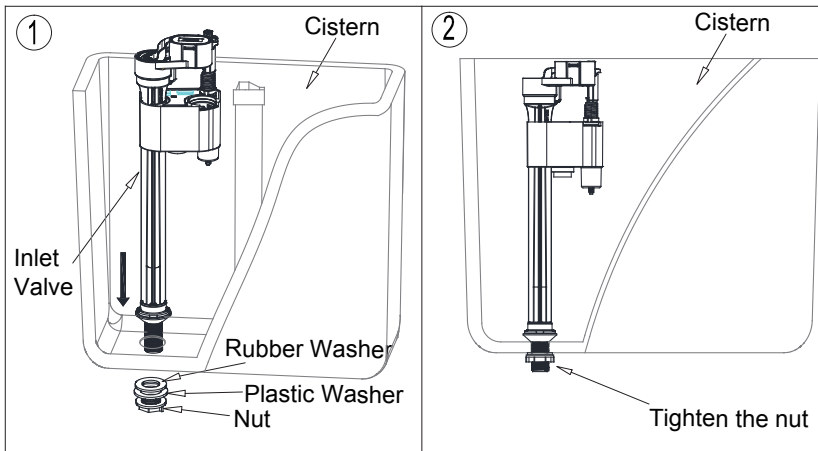
The inlet valve is preset for 6L full flush and 4L reduced flush.
For adjustment method, please refer to the page 2 diagram.

Cistern	L (mm)	
	6L full flush / 4L reduced flush	4.5L full flush / 3L reduced flush
C1,C2	45	45
C3,C4	35	41
GU7005CW	26	31



2: Inlet Valve installation

3: Filter cleaning (Please clean periodically)



4: Inlet Valve trouble shooting

Problem	Reason	Solution
Incorrect water level	Incorrect adjustment.	Adjust the Water level correctly as per page 2 & 3.
Inlet Valve does not work	Water supply is closed.	Open the water supply
	The filter is blocked.	Clean the filter.
	The Stop Float has been over adjusted beyond its operational range.	Reconnect the Adjustment Rod, and adjust the water level as per page 2 & 3.
Leakage	The Inlet Valve fixing nut has not been tightened.	Tighten the nut.

Flush Valve Installation And Problem Solving

1: Flush Valve scale and adjustment setting

Note: The below diagram is for reference only. In this example, ① is set to 1, ② is set to 5, and ③ is set to 1.5. The flush valve can be adjusted to suit the particular cistern, please refer to below tables for the settings. For adjustment method, please refer to the adjustment setting on right side.

①

② HALF ADJUSTOR

③ FULL ADJUSTOR

Half flush float

① Move float down, flush volume increases. Move float up, flush volume decreases.

Half flush adjustor

② Move adjustor down, flush volume increases. Move adjustor up, flush volume decreases.

Full flush adjustor

③ Move adjustor down, flush volume increases. Move float up, flush volume decreases.

Cistern	Scale	6L full flush / 4L reduced flush	4.5L full flush / 3L reduced flush
C1,C2	① Half Flush Float	1	4.5
	② Half Flush Adjustor	5	5
	③ Full Flush Adjustor	1.5	6
C3,C4	① Half Flush Float	1	4.5
	② Half Flush Adjustor	5	5
	③ Full Flush Adjustor	1.5	6
GU7005CW	① Half Flush Float	1.5	3.5
	② Half Flush Adjustor	5	5
	③ Full Flush Adjustor	2	5

2: Flush Valve installation

Close Coupled Flush Valve Installation

Low Level Flush Valve Installation

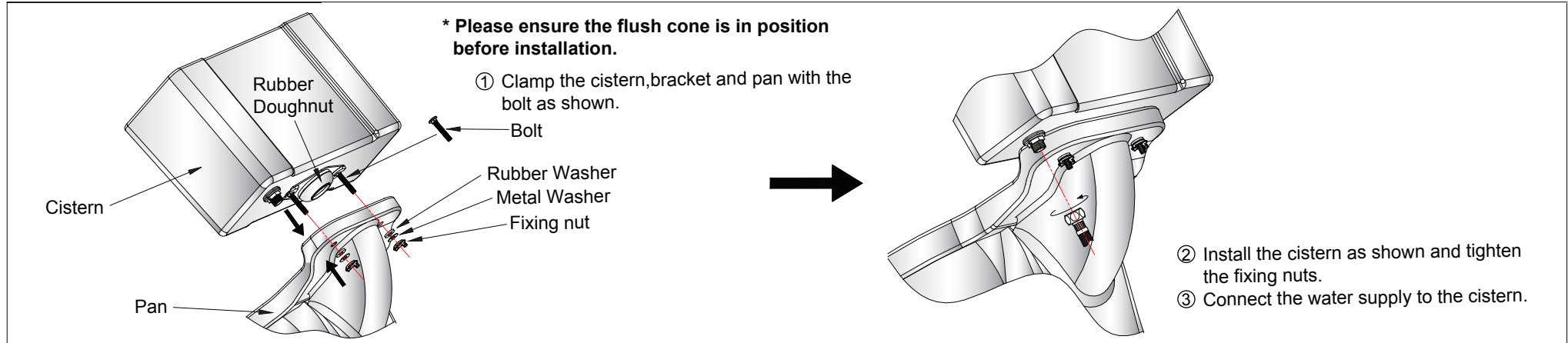
⚠ Use the brass nut from Low Level pack to fix the Flush Valve.

3: Flush Valve trouble shooting

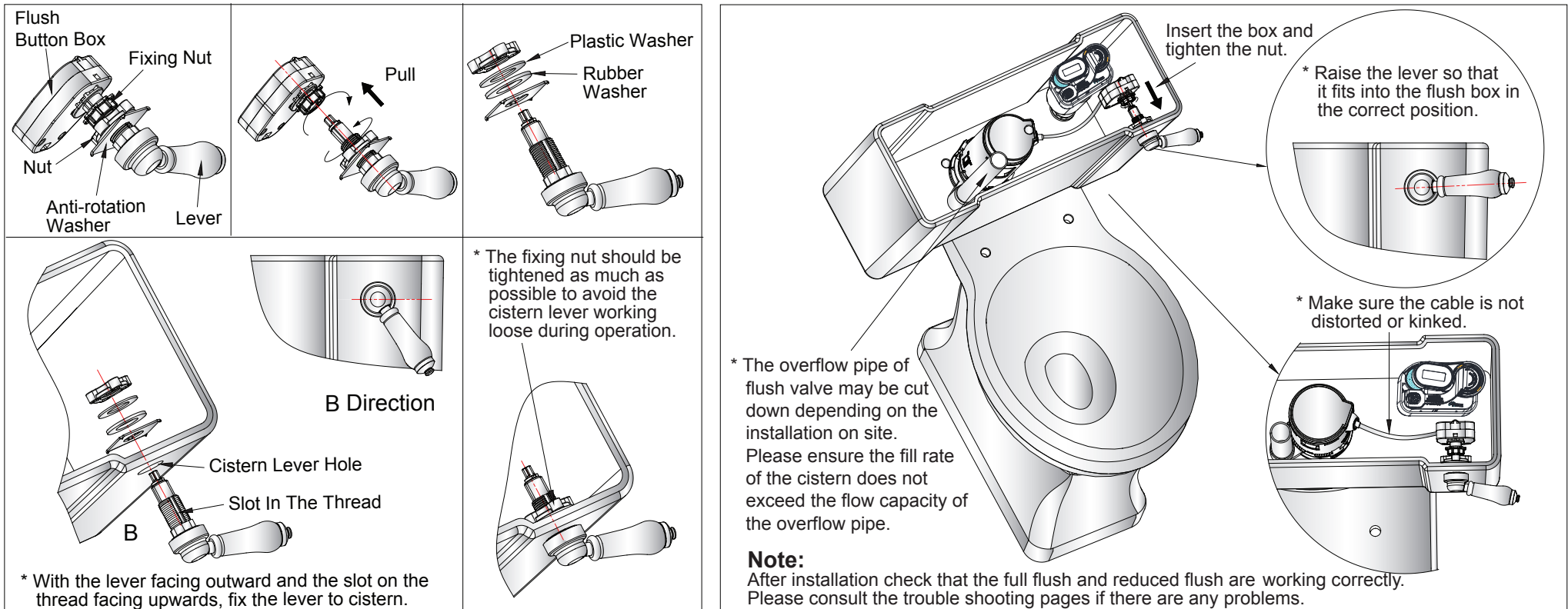
Problem	Reason	Solution
Leakage	1. Incorrect installation. 2. Flush valve seat does not fit flush valve body. 3. Flush valve body is stuck.	1. Install again according to the correct installation procedure. 2. Install again. 3. Disconnect and wash flush valve body.
No flush, low flush or half flush volume	Cable is distorted.	Remove kinks or sharp bends in the cable.
Reduced flush water level is too high or too low.	Water level is adjusted incorrectly.	Adjust water level.

Close Coupled Cistern & Flush Level or Button Installation

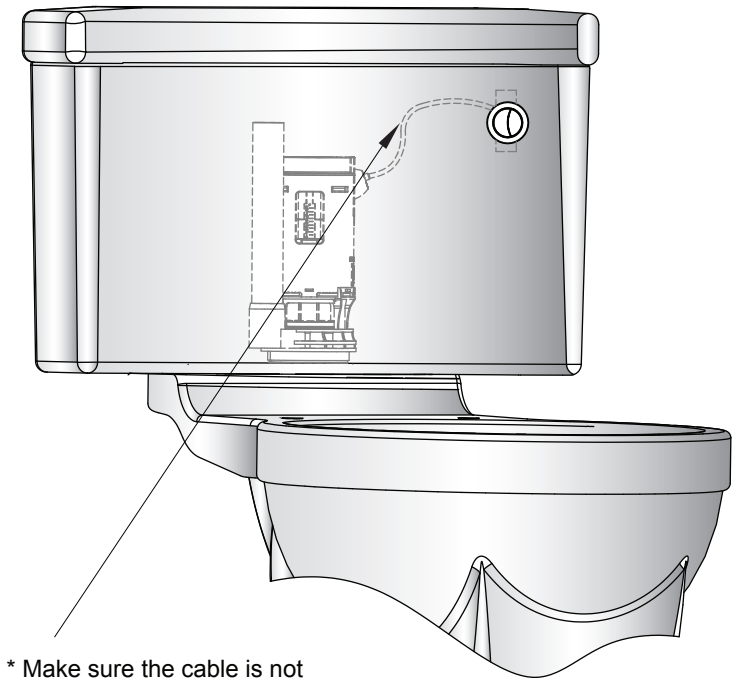
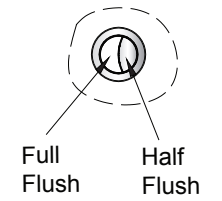
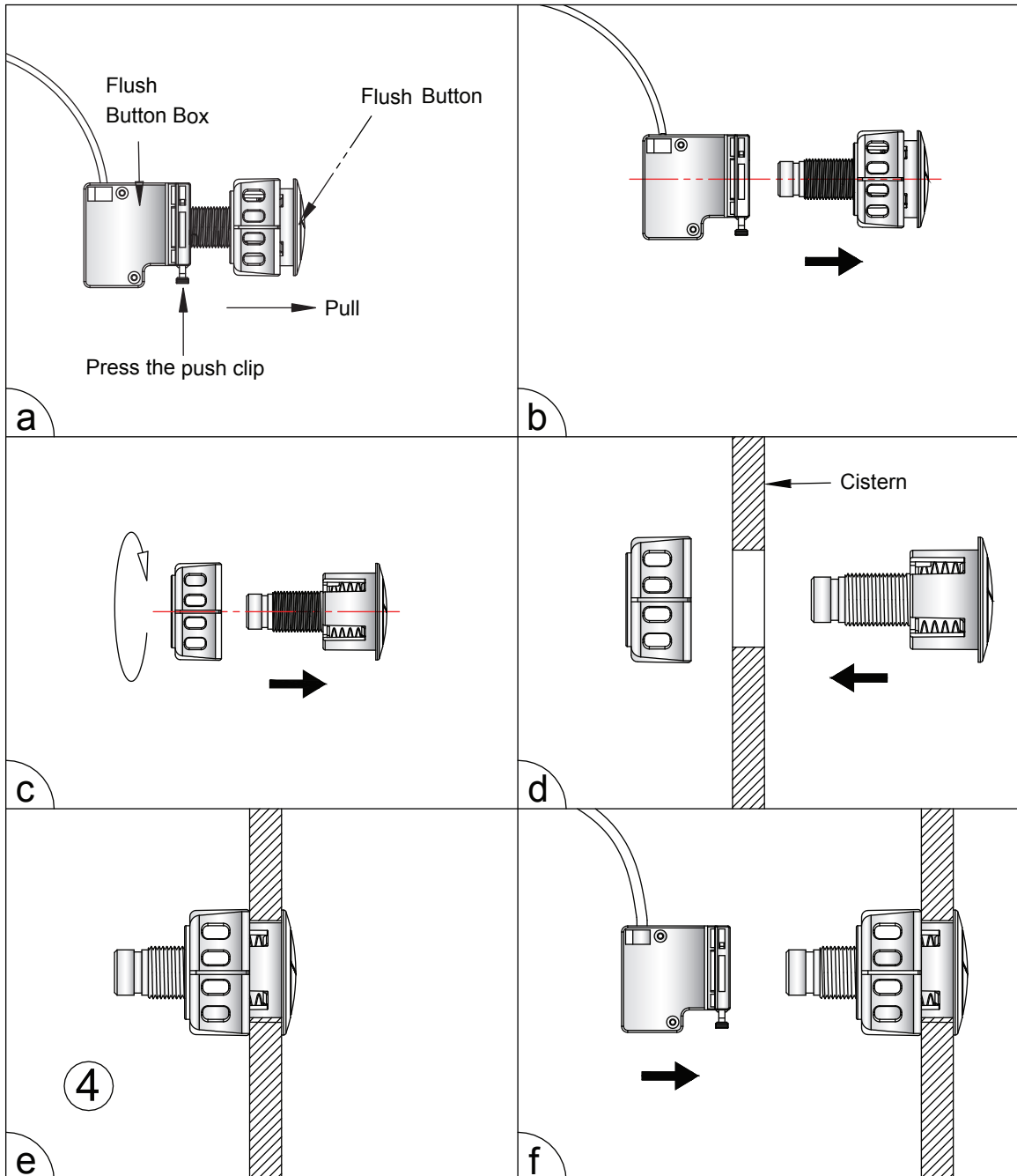
1: Install Close Coupled Cistern To Pan



2.1 Install Lever (SP5, SP5A)

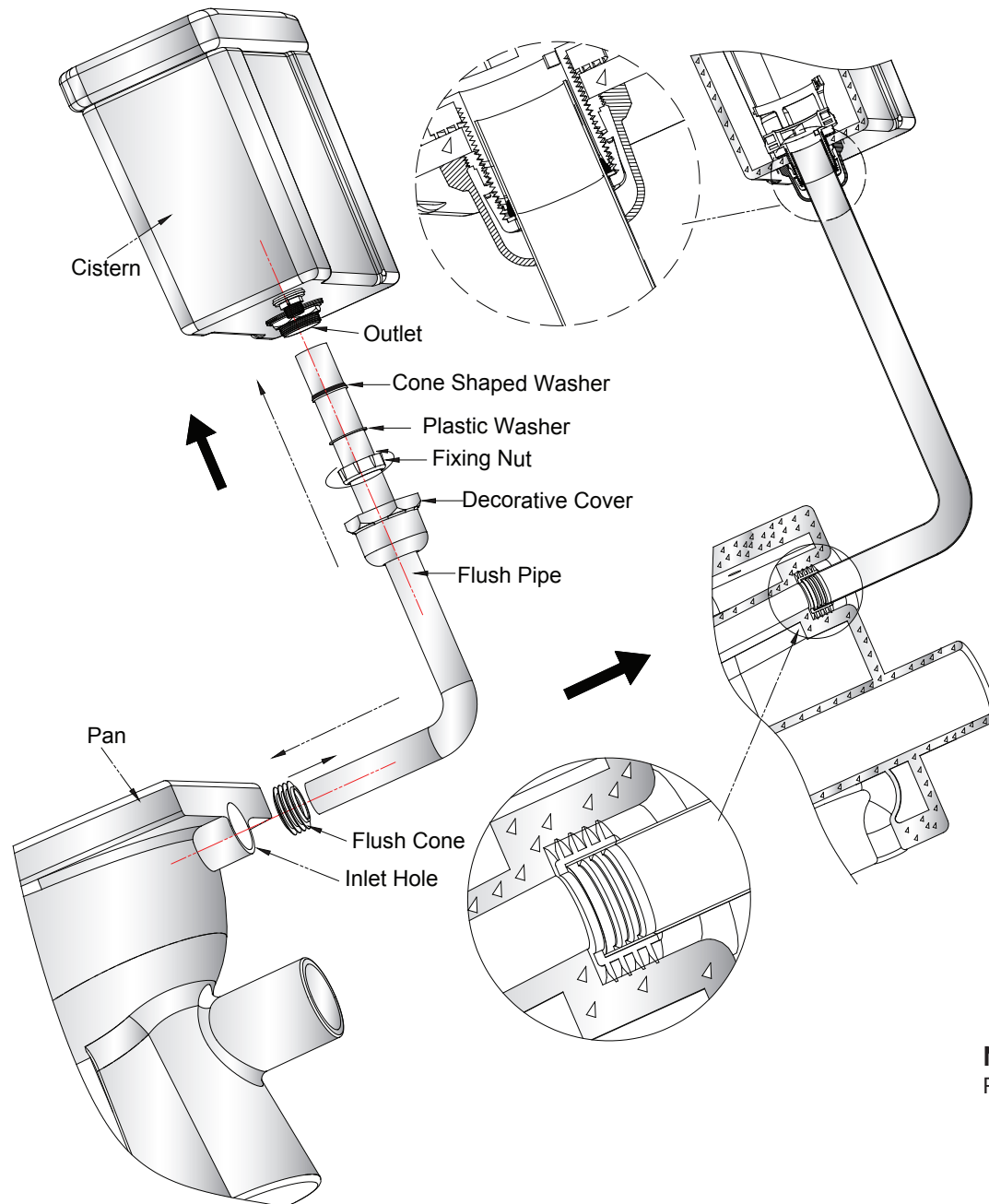


2.2 Install The Flush Button (SP6)



Note:
After installation check that the full flush and reduced flush are working correctly.
Please consult the trouble shooting pages if there are any problems.

Low Level Cistern Installation



Determine the exact location of the pan and cistern installation, then cut the Flush Pipe accordingly. Fit the Pipe into the cistern in the sequence shown in the diagram. Then insert the Flush Cone into the pan, followed by the Flush Pipe as shown in the diagram.

Note:
Please carefully check for leaks after installation.

Assembly

- Mount the cistern securely on the wall at the height of 2060mm from the underside of the cistern to the floor using the fixing holes through the rear of the cistern (**See hint 1**).
- Join the two **flush pipes** together and silicone the joint.
- Use the **brass fixing nut** (as part of the **decorative cover**) to fix in the cistern fittings. Place the **decorative cover** and **plastic fixing nut, plastic washer, cone shaped washer** (supplied as parts of the cistern fittings) over the top of the **flush pipe** (longer end of the **flush pipe**) and insert into the **threaded siphon stem** (supplied as part of the cistern fittings). Once the **flush pipe** is secured by the **plastic fixing nut**, screw the **decorative cover** up to the **brass fixing nut**.
- Insert the lower end of the **flush pipe** into the pan via the **flush cone** (supplied as part of the cistern fittings).
- Locate the **buffer clip** so as to prevent collision between the seat and flush pipe. This **buffer clip** will also secure the **flush pipe** to wall by fixing the **buffer clip** upto wall.
- Put in the **control bracket** first, then join the **pull handle** to the lever arm. Fix the **control bracket** to the wall 180mm above the **pull handle**.
- Mount the **ornate brackets** using the screws provided snugly under the cistern (**See hint 2**).

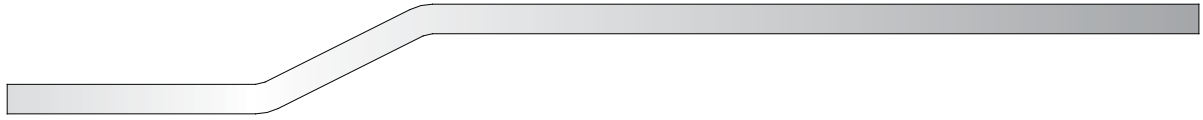
HANDY HINT

1. When installing your cistern, ensure that the **rubber spacing washers** are used to create a small gap between the cistern back and the wall. There are two reasons for this; firstly it will help to reduce the possibility of condensation when cold mains pressure is contained within a humid environment and secondly, the gap will help prevent “thermal shock”. This is when rapid temperature change occurs (usually overnight) and causes the wall to contract or expand, thus cracking the sanitaryware. When fixing the cistern to the wall it is advisable to insert the screw through a washer (not supplied) on the inside of the cistern. This will prevent the screw damaging the sanitary ware when the screw “bites”.

* If required, for example if the wall is not level, please add additional spacers which are not provided to ensure the cistern is level for fixing to the flush pipe.

2. **The ornate brackets are purely decorative.** They should not be used as support for the cistern. Always ensure that the cistern is firmly and securely fixed to the wall via the fixing holes at the rear of the tank.

Parts supplied:



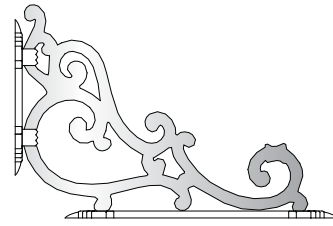
upper flush pipe 1x



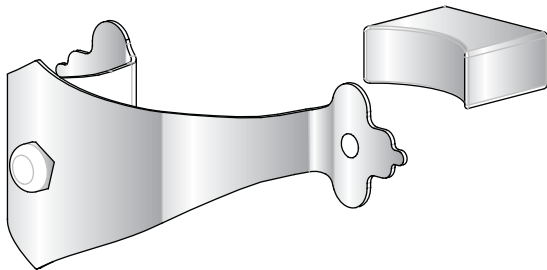
pull handle 1x



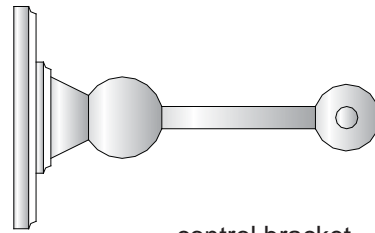
lower flush pipe 1x



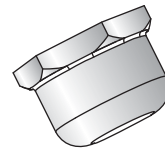
ornate bracket 2x



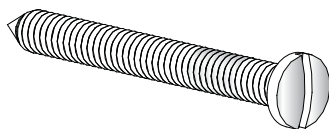
buffer clip 1x



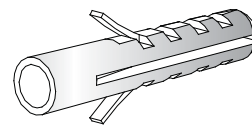
control bracket 1x



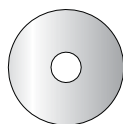
decorative cover & brass fixing nut 1x



screw 12x



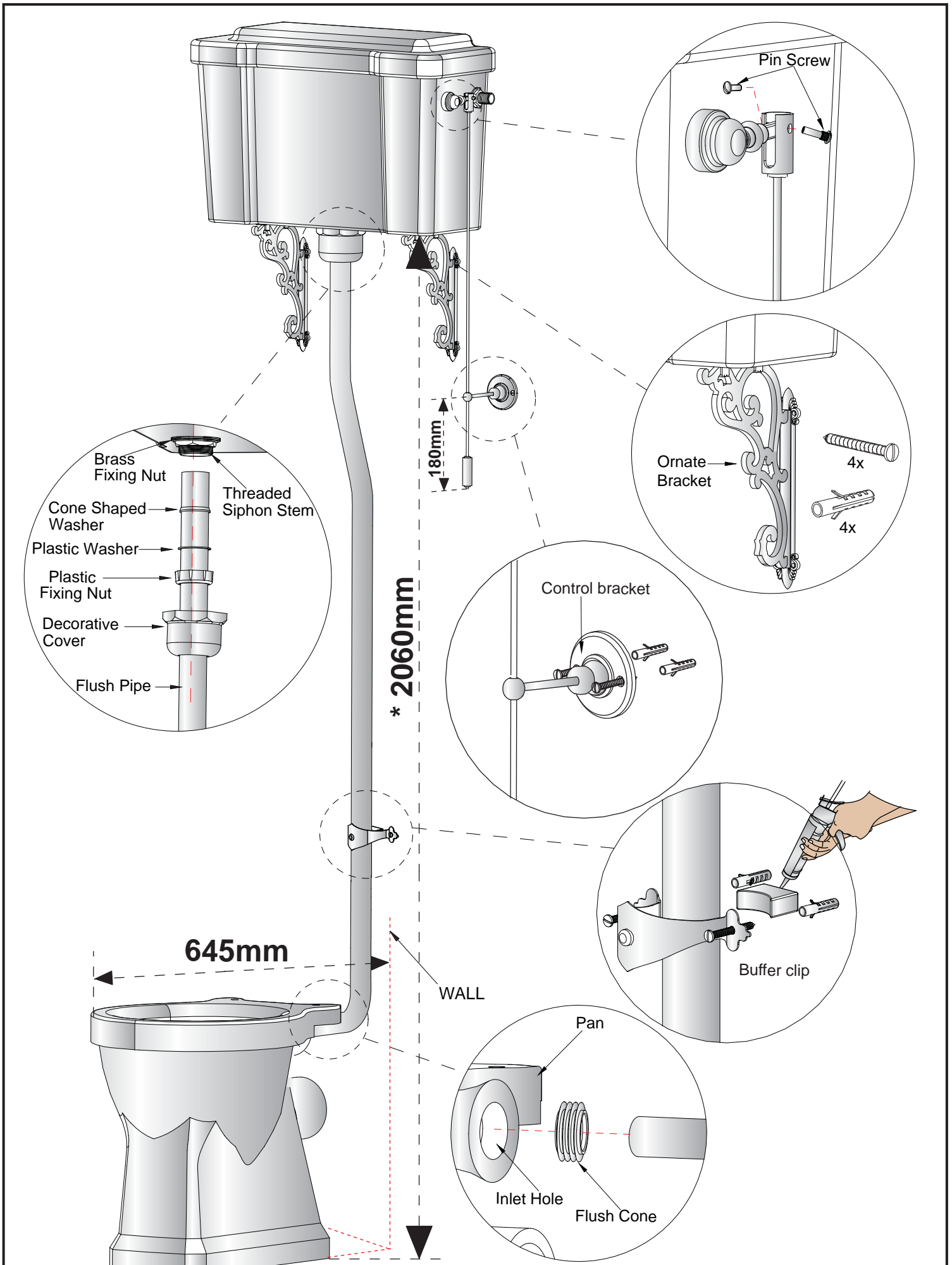
rawl plug 12x



rubber spacing washer 4x



pin screw 1x



Note:
645mm measure is only recommended installation
and the final decision should be made by the plumber
on site depending on the installation circumstance.

* **The maximum overall height is 2060mm.**
* **The minimum overall height is 1980mm.**