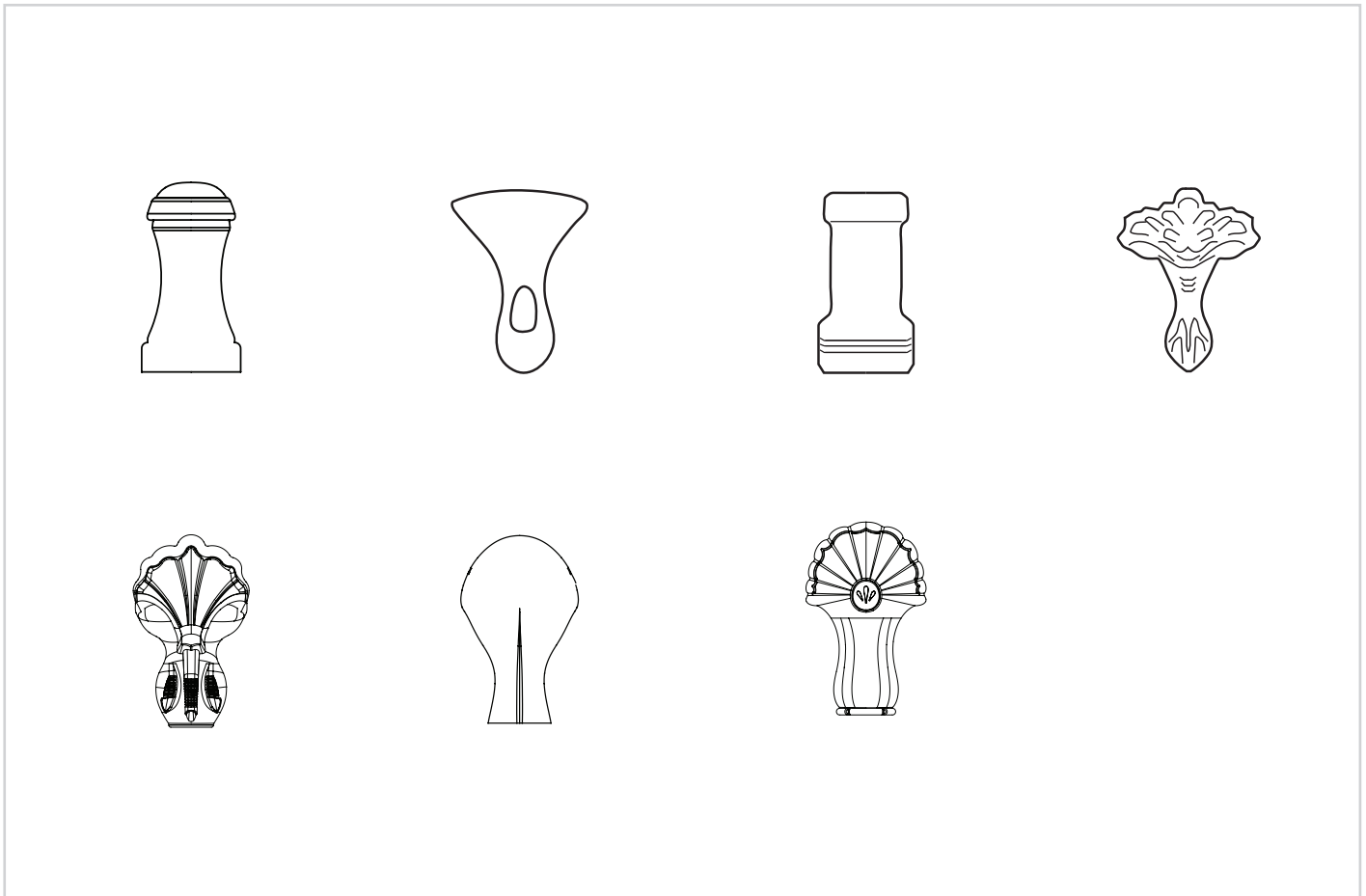


BATH LEG

Burlington®



PRODUCT CODES:

G10, E10, E9, E11, L1, L2, L3



IMPORTANT INFORMATION BEFORE YOU START

Please read carefully and keep this information for further reference.

Thank you for buying a Burlington Product. To ensure that it works to its full potential, it needs to be fitted correctly.

Check the contents of the pack carefully before installation.

Burlington will not be held responsible for any de-fit/re-fit costs where faulty product has been fitted. If any fault is found with materials or workmanship, it must be reported immediately to the manufacturer. Remedial action will be taken, based on information received, on condition that:

1. Full details are supplied to the manufacturer.
2. The product has not been modified or tampered with;

3. The manufacturer is informed of any damage/shortages prior to installation.

4. The product has not been installed, or attempts have been made to install.

We do not accept responsibility for any problems that may occur through incorrect installation. This product should only be installed by a suitably qualified plumber/installer. Should the installation be completed by a non-qualified person any product guarantee maybe considered invalid. For a claim made under our warranty, written certification of your installer's qualifications may be required.

BEFORE YOU START

Important Pre-Installation Notes

Remove all packaging and check the fitting for damage before starting installation.

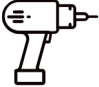






Before starting any installation please consider the following: before drilling into floors, check that there are no hidden electrical wires, cables or water supply pipes. This can be checked with the aid of an electronic detector.

Be mindful of the weight of baths and ensure they are lifted by at least two people at all times.

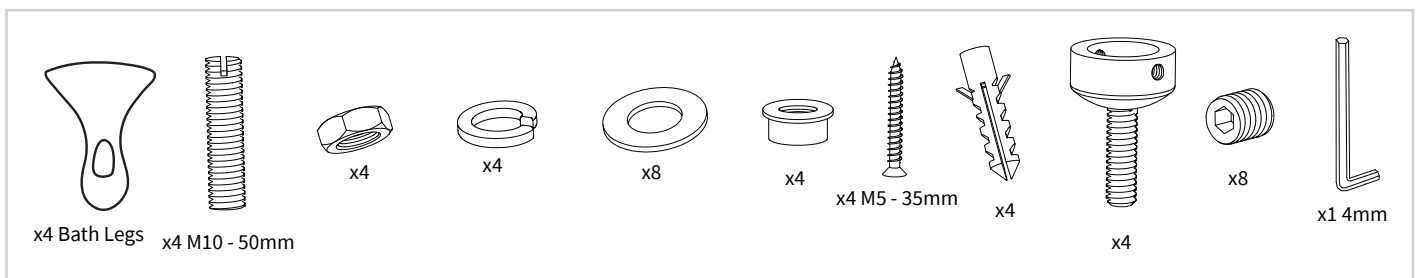
If power tools are used do not forget to:

- Wear eye protection
- Unplug equipment after use

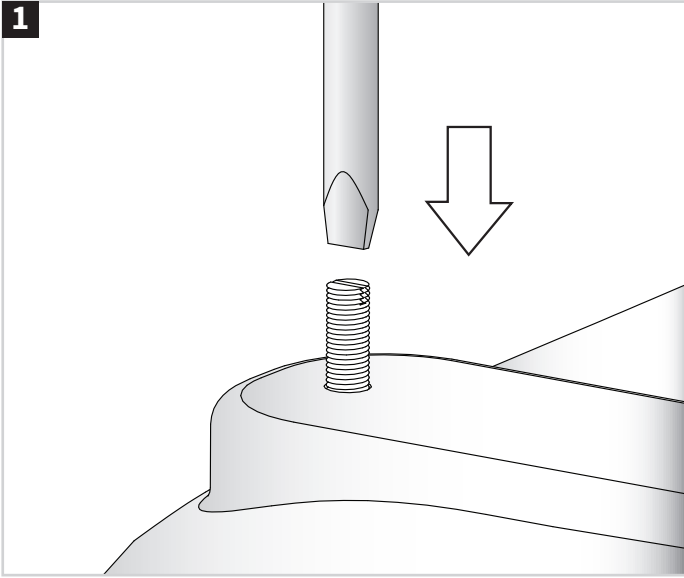
Tools Required (not supplied):

| | | | |
|-------------------------------------|---|---|---|
| <p><u>Drill + 6mm Drill Bit</u></p> |  | <p><u>Pencil</u></p> |  |
| <p><u>Tape Measure</u></p> |  | <p><u>Screw Driver (Phillips No2)</u></p> |  |
| <p><u>Spirit Level</u></p> |  | <p><u>Safety Goggles</u></p> |  |
| <p><u>Spanner</u></p> |  | | |

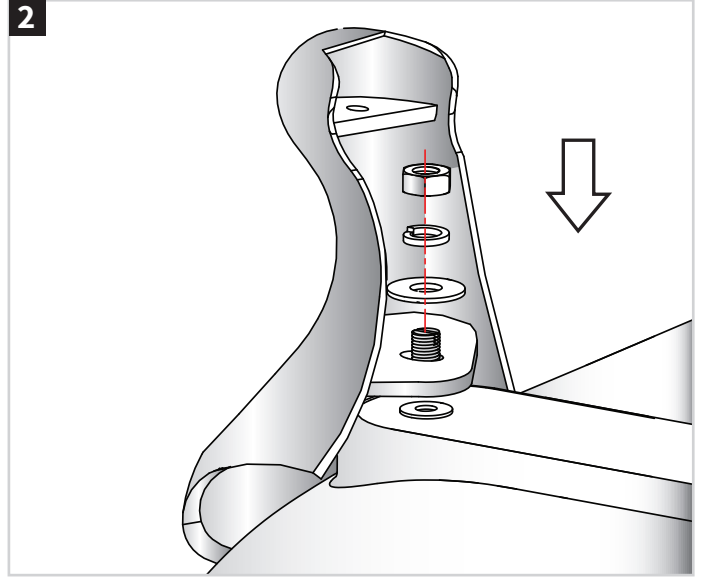
Parts Supplied:



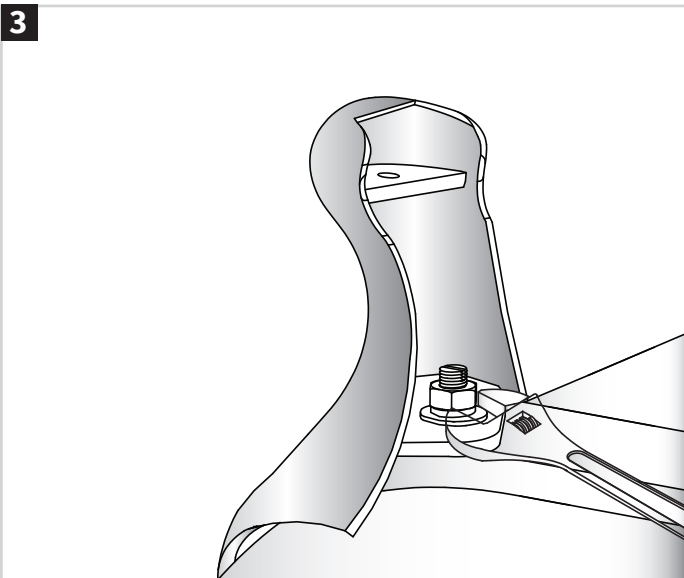
INSTALLATION



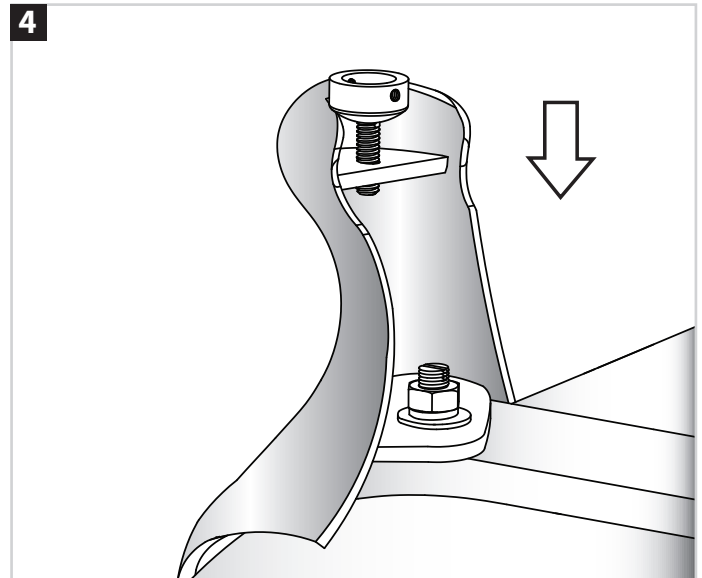
With the bath safely placed upside down, locate the threaded fixing bolt onto the fixing points on the underside of the bath.



Assemble the fixing nuts and washers as shown in the diagram. Extra washers are included to provide additional adjustment for the mating of the leg to the bath if required.

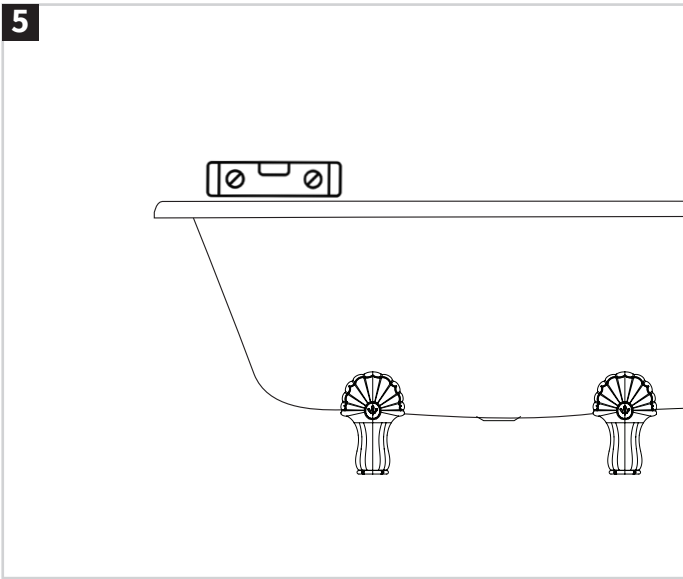


Tighten the nut using an adjustable spanner, securing the leg to the bath with a tight fit.

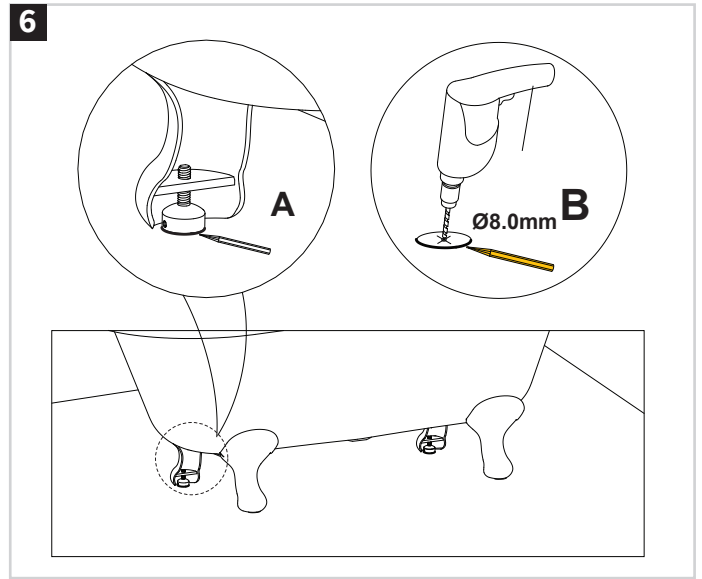


Locate the adjustable feet on the bottom of the bath legs. Repeat steps 1 to 4 for all bath legs.

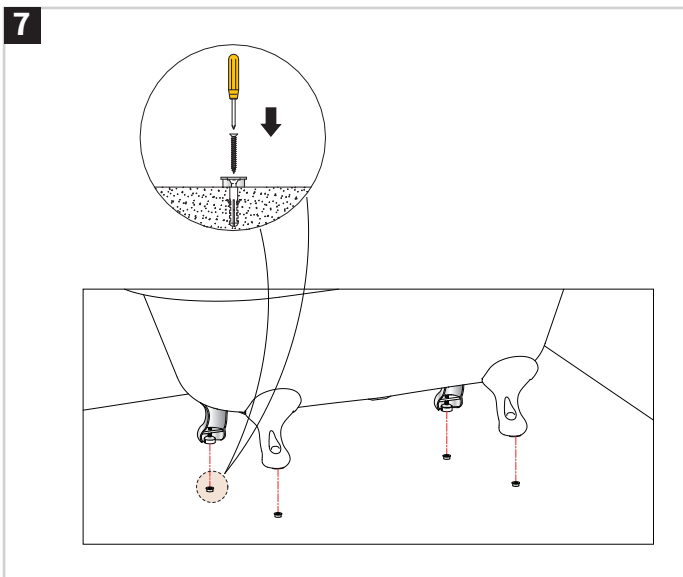
INSTALLATION



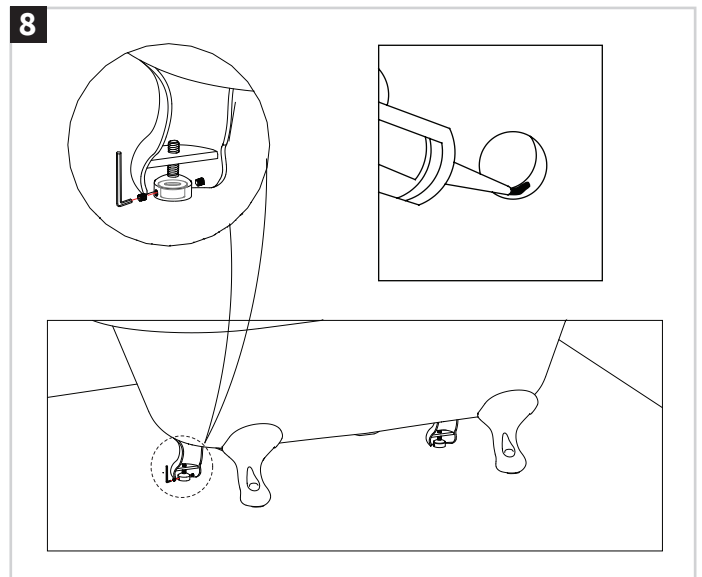
Adjust all 4 feet, ensuring the bath is fully level.



With the bath adjusted to be level and placed in the desired location, mark the position of all 4 feet. Drill the holes centrally making sure to use the correct fixings for the floor structure.



Secure the bath feet locators to the floor with a Phillips screw driver. Locate the bath onto the bath feet and once again, check to ensure the bath is level.



Lock the bath feet in place using the allen key and grub screws provided. Once the bath is in the general position ready to be plumbed in, we suggest fitting the waste and overflow to the bath. Before you do this Burlington insists you smear silicone sealant around the inside of the overflow and waste to ensure a totally water tight seal. This is shown in the diagram above.

CARE & MAINTENANCE

The material we use in our accessories is very durable, nevertheless care should be taken when cleaning them. They should be cleaned only with warm soapy water followed by rinsing with clean water and drying with a soft cloth. All finishes are vulnerable to acid attack and some strong substances such as household cleaners, disinfectants, denture cleaners, hair dyes, wine making, and photographic chemicals can cause the surface to go black or peel.

Note: Never use abrasive detergents or disinfectants or those containing alcohol, hydrochloric acid or phosphoric acid.

Do not sit or lean on the edge of the bath tub.