

PRODUCT DATA SHEET

Burlington[®]



PRODUCT CODE

GU6117CW

RANGE

Guild

DESCRIPTION

Guild Back to Wall Pan White

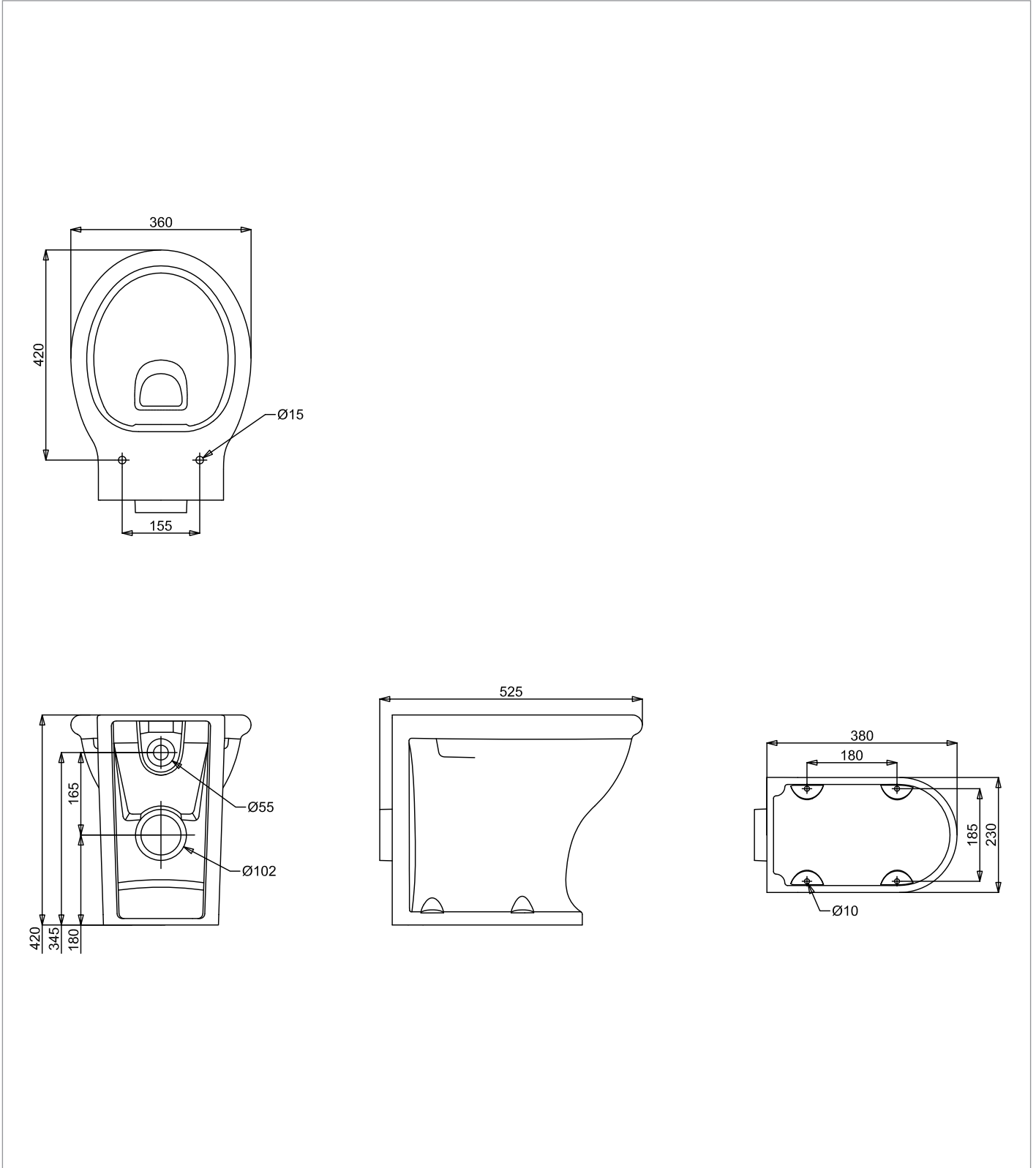
CATEGORY	Sanitaryware
WARRANTY DETAILS	Lifetime
COLOUR	Gloss White
FINISH APPLICATION	Glazed
PRIMARY MATERIAL	Vitreous China
INSTALL TYPE	Horizontal Outlet
PRODUCT WIDTH MM	360
PRODUCT HEIGHT MM	420
PRODUCT DEPTH MM	525
PRODUCT NET WEIGHT KG	22.5
STANDARDS	EN 997:2018 EN 33:2019

FIXINGS INCLUDED	Yes
RIM TYPE	Rimless
FLUSH VOLUME	6/4L
FIXING TYPE	Floor fixing
TRAP TYPE	Horizontal

TECHNICAL DIMENSIONS

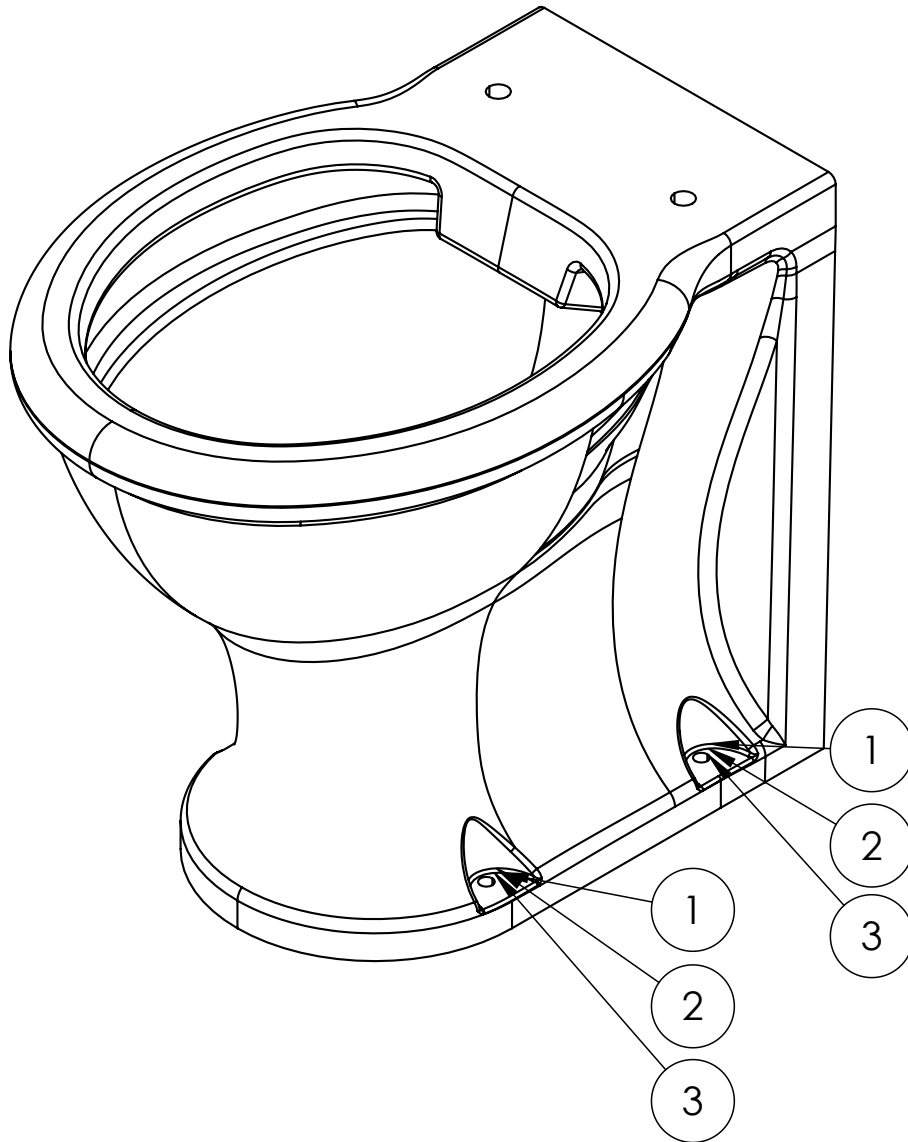
Dimensions in mm unless otherwise specified.

Tolerances (per material type) apply.



SPARES LIST

Only the parts labelled are available as spares.



NUMBER	PART CODE	DESCRIPTION
1	SP17	screw fixing pack for pan and bidet
2	SP17A	Chr Cover Caps Bur Pans, Bidet, U1
3	SP387	WC floor fixing plastic plugs and covers