





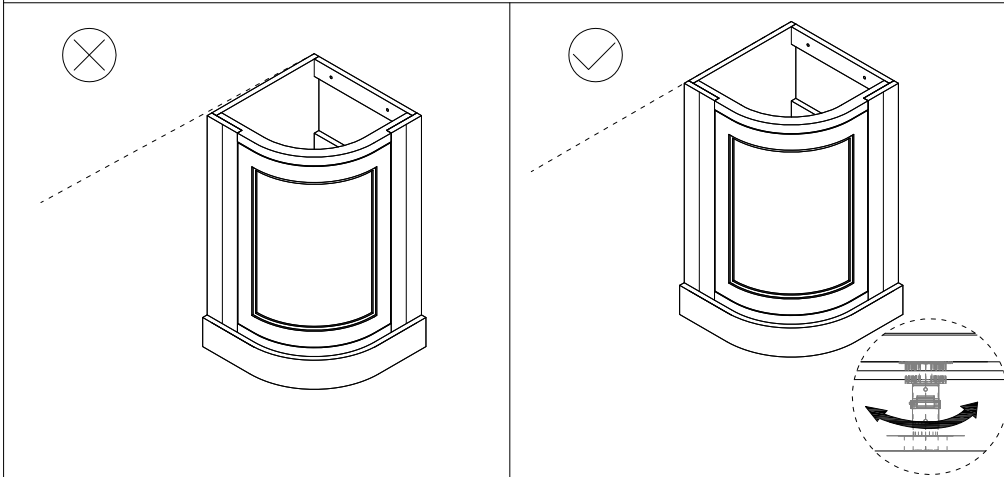


IMPORTANT: This unit must be securely fixed to a wall. Ensure that the top is horizontal before marking the wall for fixing. The wall fixings supplied may not be suitable for your installation. You may need to source alternatives depending on the material and strength of the wall you are fixing to. Buffers are supplied to stop the crash of the doors. These can be fitted if necessary.

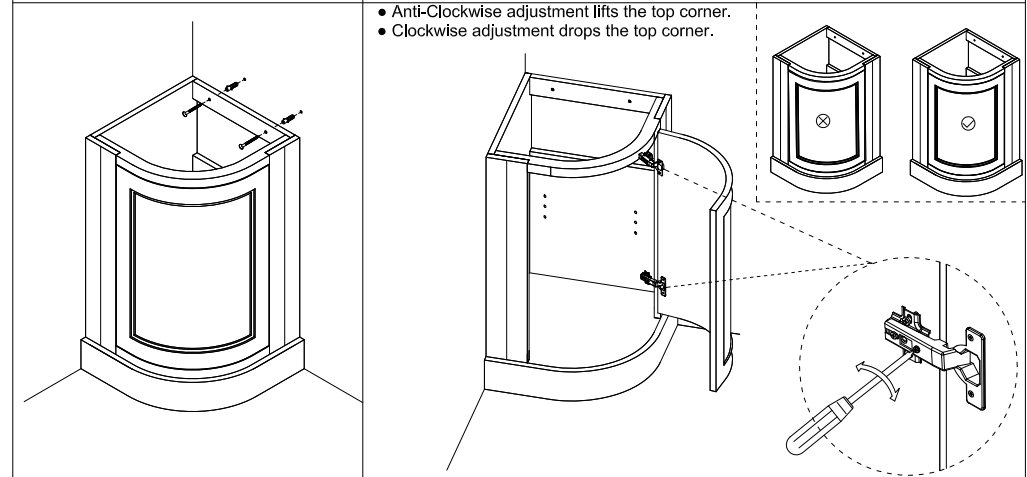
Parts Supplied:

					
2	2	1	4	4	1

• Place the cabinet in final position, and check for level. If not, please adjust the feet at the bottom of the cabinet.

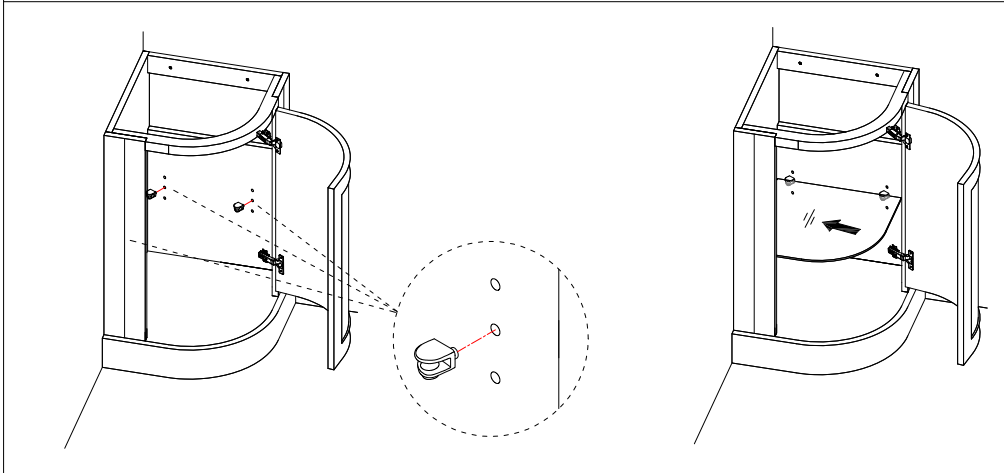



• Fix the cabinet onto the wall.

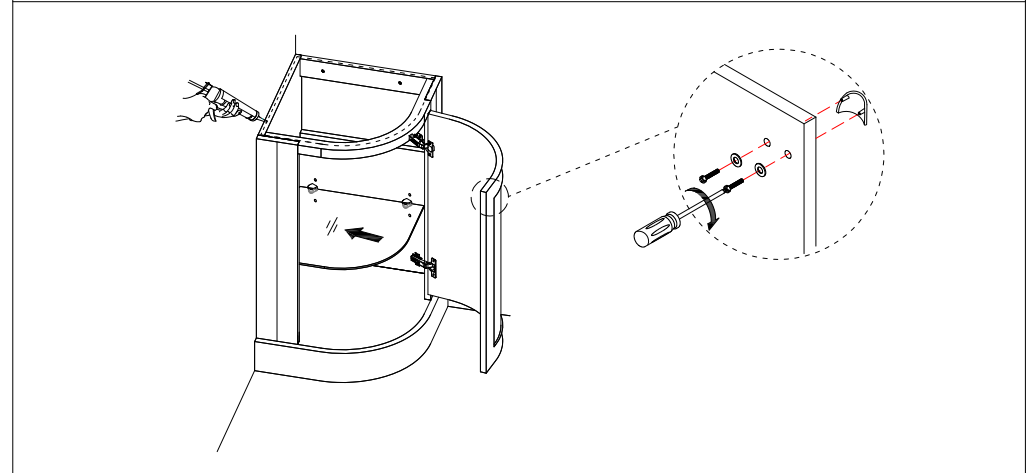


• Check the door for level. If not, please adjust the screw on the hinge.
• Anti-Clockwise adjustment lifts the top corner.
• Clockwise adjustment drops the top corner.

• Please remove the protecting film before installing the glass shelf.
Please plug in plastic clamp in the proper position, then insert the glass shelf.



 Place silicon seal to top surfaces where basin sits, and back edge of basin to wall. This is to prevent water collecting between the worktop/basin and the cabinet.

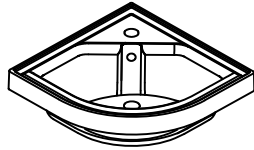


Care and Maintenance

Please leave with the householder

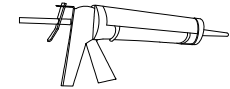
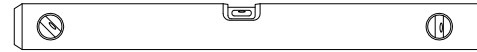
This basin or counter top is made of Polymarble and should only be cleaned using a soft damp cloth. Do not use bleach or any abrasive cleaner. The surface can be damaged by very hot water. Do not pour boiling water onto it or stand very hot objects on it.

Parts Supplied:

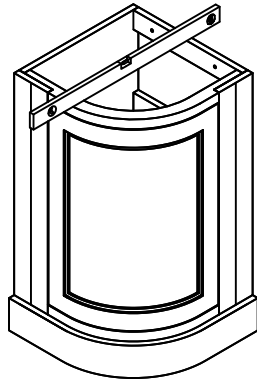


1x

Tools Required:

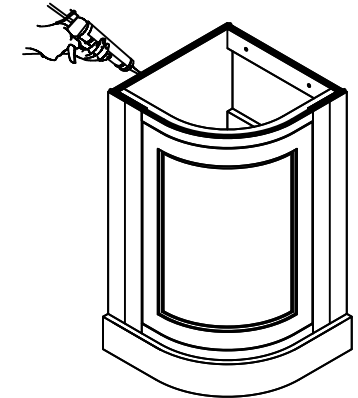


1



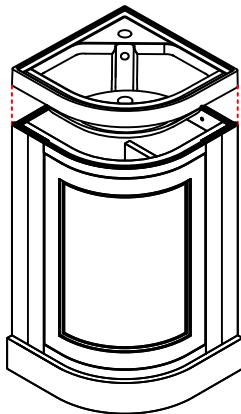
- Make sure that the cabinet is level, and flush.

2

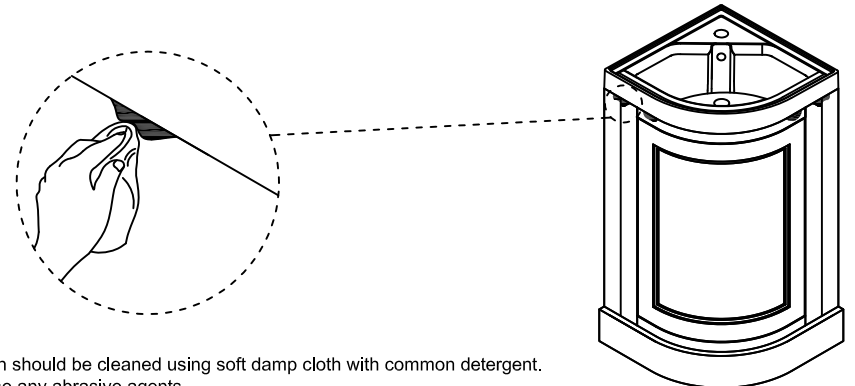


- Place silicon seal to top surfaces where basin sits, and back edge of basin to wall.
Apply a bead of silicone to hold the basin in position and to prevent water collecting between the basin and the cabinet. If water is allowed to collect between the basin and the cabinet it can cause damage to the furniture panels.

3



4



- The Basin should be cleaned using soft damp cloth with common detergent. Do not use any abrasive agents.