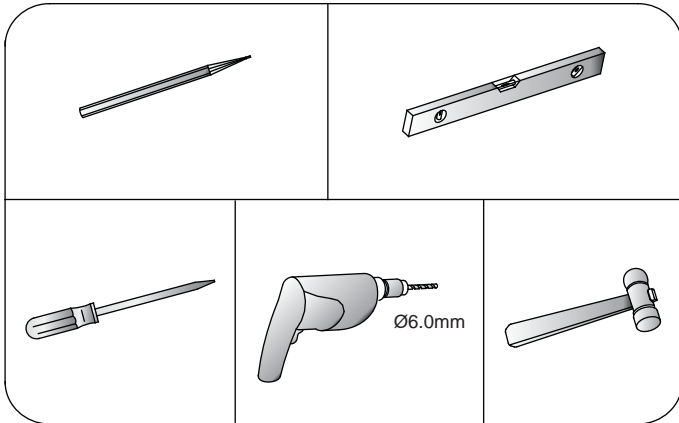
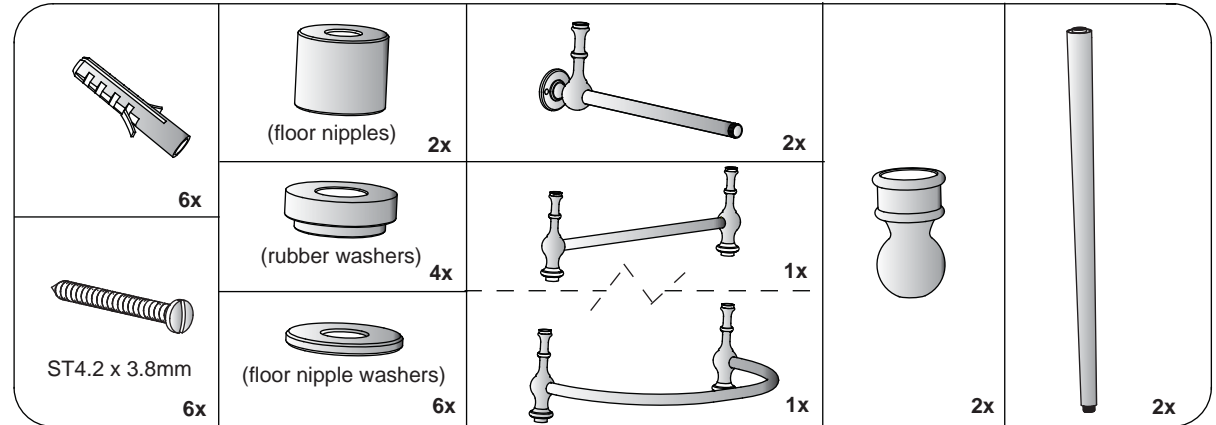


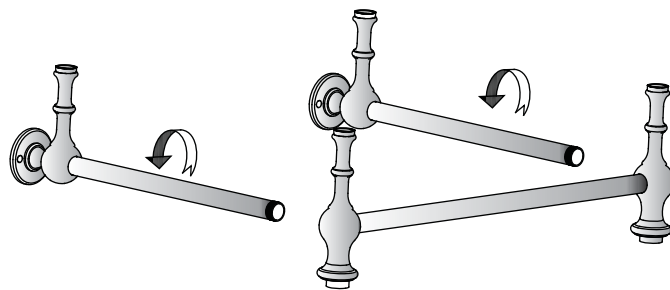
**Tools required:**



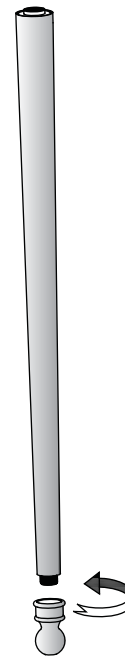
**Parts supplied:**



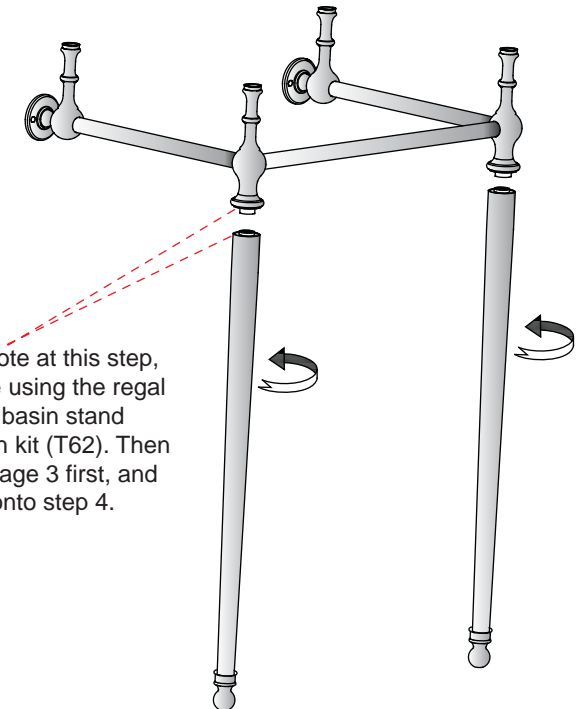
**1** Attach the two horizontal rails to the front rail.



**2**

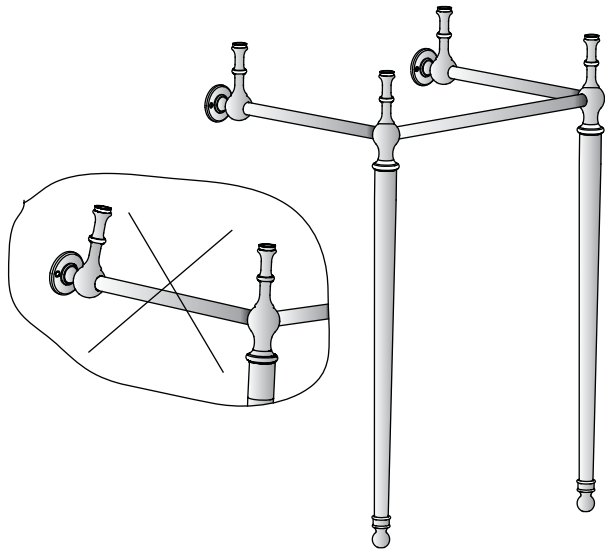


**3** Screw the legs into the rail.

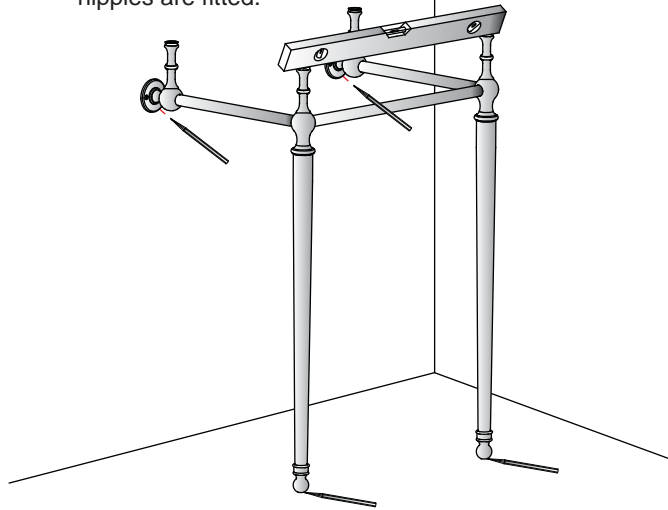


Please note at this step, if you are using the regal designer basin stand Extension kit (T62). Then refer to page 3 first, and then go onto step 4.

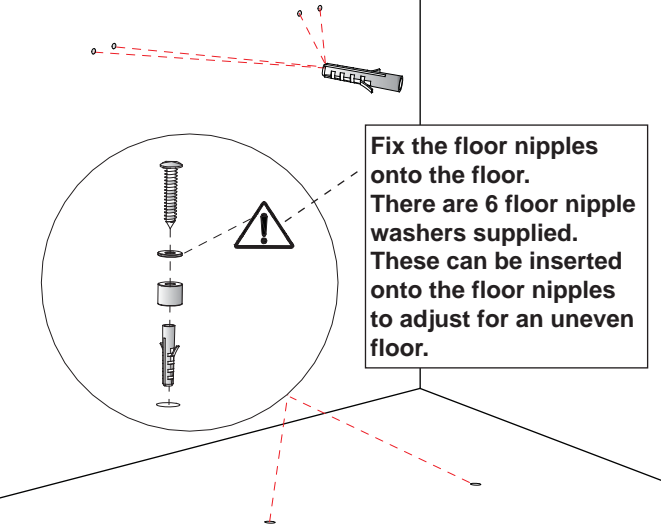
- 4** Check that the horizontal bracket bar is vertical using a spirit level.



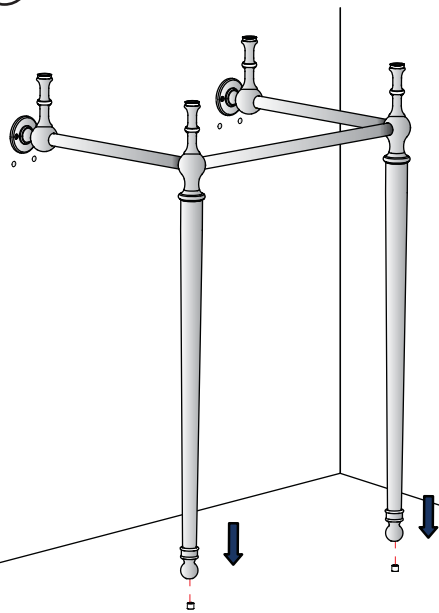
- 5** Determine the final installation position and mark the 4 wall and two floor fixing hole positions in pencil. Please make sure to include the floor nipples (and washers if necessary) when determine the installation position because the stand may elevate after the floor nipples are fitted.



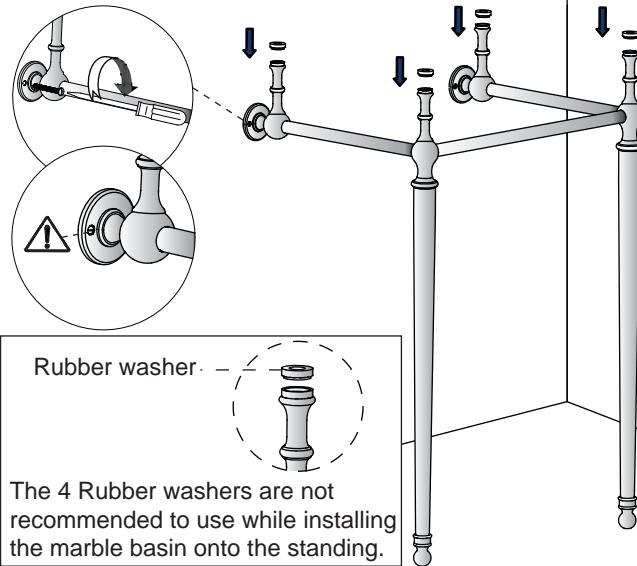
- 6** Using a 6mm drill bit drill the six holes on the marked positions (note: In the event that the wall / floor fixings supplied being inappropriate for the wall / floor, please source alternatives).



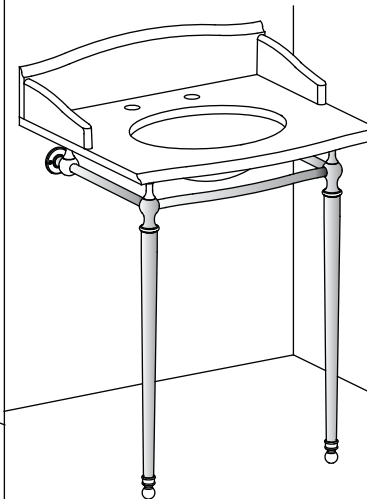
- 7** Fit the two legs over the floor nipples.



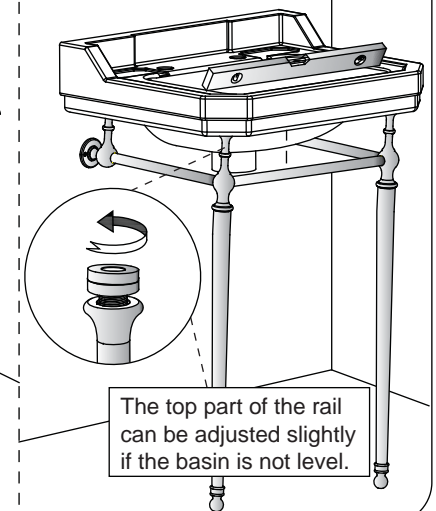
- 8** Fix each of the two brackets onto the wall using the 4 screws provided. Ensure that the screw heads are parallel to the floor. Place the 4 rubber washers into the 4 recesses as shown.



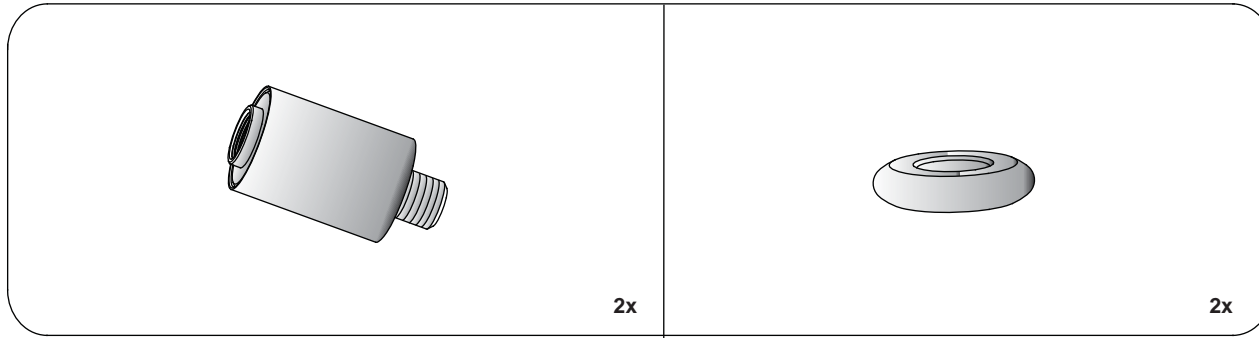
- 9a** For marble basin, please refer to the BASIN INSTALLATION INSTRUCTION.



- 9b** For ceramic basin, place the basin in position ensuring that it is level. The basin must be fixed to the wall at the rear using appropriate wall screws.



**Parts supplied:**



Please refer to the basin stand instruction for the more detail basin stand installation.

