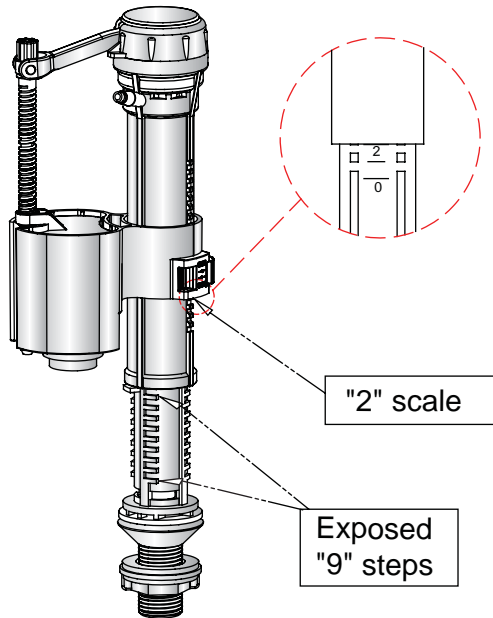


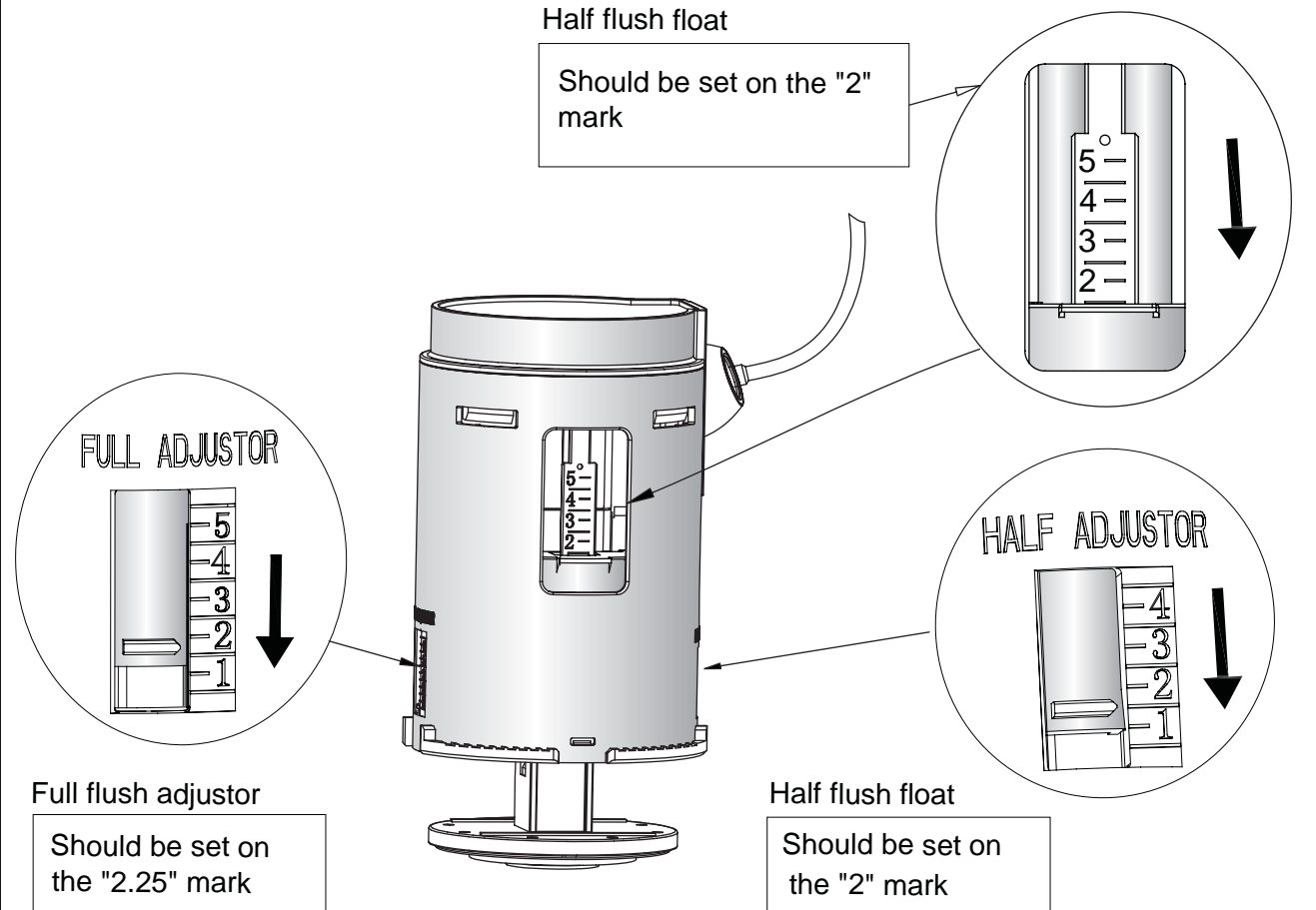
1: Inlet Valve



Note:

The Inlet Valve can be adjusted to suit the Close Coupled/Low Level Cistern 44cm Ceramic lever / Front Button - C3, C4. The valve is preset for 6L full flush and 3L half flush. The above diagram indicates the correct setting for 4.5L full flush and 2.6L half flush. For adjustment method, please refer to the installation instruction supplied with the cistern fittings.

2: Flush Valve



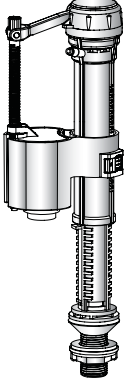

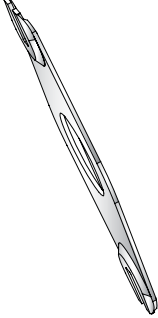
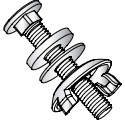





Note:

The Flush Valve can be adjusted to suit the Close Coupled/Low Level Cistern 44cm Ceramic lever / Front Button - C3, C4. The valve is preset for 6L full flush and 3L half flush. The above diagram indicates the correct setting for 4.5L full flush and 2.6L half flush. For adjustment method, please refer to the installation instruction supplied with the cistern fittings.

Button Flush Cistern Fittings

- Close Coupled / Low Level Cistern 51cm
- Close Coupled / Low Level Cistern 44cm

Parts supplied:

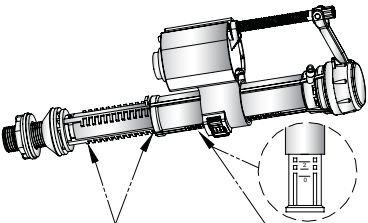
					
1x	1x	1x	2x	1x	1x
					
			1x	1x	1x

- Please read these instructions carefully to avoid damage to the valves, and to ensure correct installation.
- Do not use bleach or bleach based cleaning products in the cistern, as these will cause damage to the seals. We cannot be held responsible or liable for any failure which results from the use of bleach based products.
- Water temperature range +2C to +45C.
- Water pressure 0.2 to 8 bar.

1: Inlet Valve scale and adjustment settings

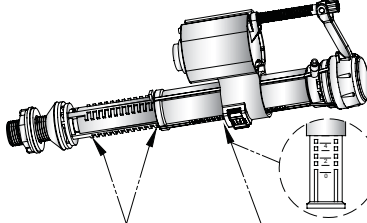
A: Major water level adjustment

Close coupled / Low level Cistern 51cm



Exposed "12" steps "3" scale

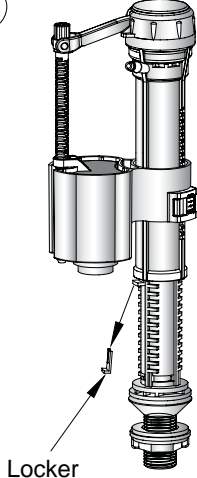
Close coupled / Low level Cistern 44cm



Exposed "12" steps "5" scale

Note:
The Inlet Valve should be adjusted for the particular cistern into which it is being installed. The top left corner diagram indicates the correct setting for Close Coupled / Low Level Cistern 51cm (lock the float on the 3 setting mark).
The top right corner diagram is for Close Coupled / Low Level Cistern 44cm (lock the float on the 5 setting mark).

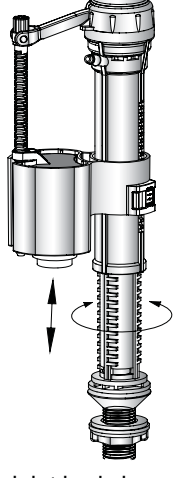
①



Locker

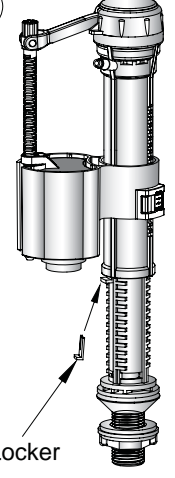
Take off locker

②



Loosen the inlet body by turning slightly anti-clockwise, Adjust it up or down to correct position and tighten clockwise.

③



Locker

Re-insert the locker

B: Minor water level adjustment

①

Locker

Stop Float

Slide the locker to "unlock" position, Move the stop float up/down.

②

Adjustment Rod

Stop Float

To decrease the water level use a screw driver to adjust the level of the Stop Float (as shown). The float should be lowered.

Adjustment Rod

Stop Float

To increase the water level use a screw driver to adjust the level of the Stop Float (as shown). The float should be raised.

NOTE:

Float cup

Stop Float

Ensure the top surface of Stop Float is in line with the top surface of the Float Cup.

③

Locker

Slide the locker to the "locked" position

2: Inlet Valve installation

Cistern

Inlet Valve

Rubber Washer

Plastic Washer

Nut

Tighten the nut after having adjusted the Inlet valve calibration as per page 1 & 2.

3: Filter cleaning (Please clean periodically)

①

Inlet valve

Filter

Pull out the filter from the Inlet valve.

②

Filter

Clean by rinsing the filter.

③

Inlet valve

Filter

Insert the filter back into the Inlet valve.

4: Inlet Valve trouble shooting


Problem	Reason	Solution
Incorrect water level	Incorrect adjustment.	Adjust the Water level correctly as per page 1 & 2.
Inlet Valve does not work	Water supply is closed.	Open the water supply
	The filter is blocked.	Clean the filter.
	The Stop Float has been over adjusted beyond its operational range.	Reconnect the Adjustment Rod, and adjust the water level as per A on page 1 .
Leakage	The Inlet Valve fixing nut has not been tightened.	Tighten the nut.

Flush Valve Installation And Problem Solving

1: Flush Valve scale and adjustment setting


Note: The Flush Valve should be adjusted for the particular cistern into which it is being installed.
 The diagram "A" below indicates the correct setting for Close Coupled / Low Level Cistern 51cm.
 The diagram "B" is for Close Coupled / Low Level Cistern 44cm.

A Close Coupled / Low Level Cistern 51cm

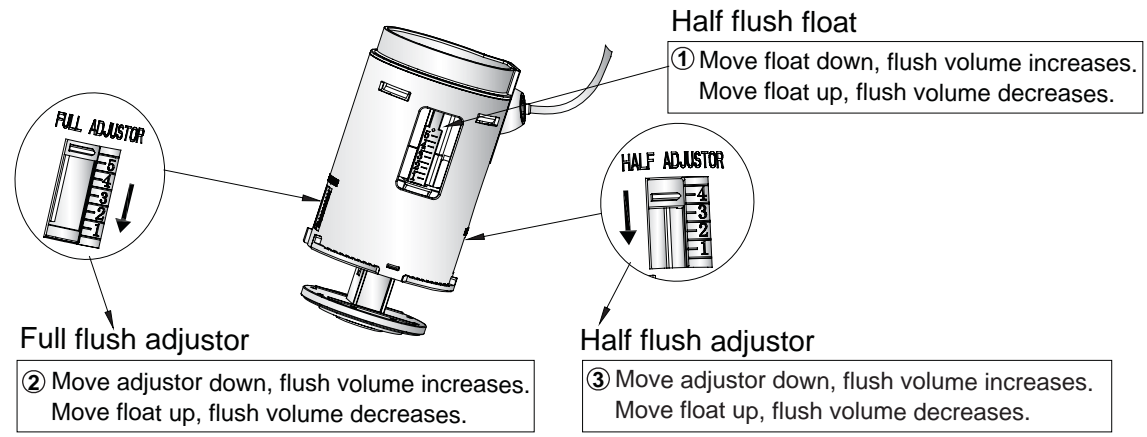


- ① Half Flush Float : should be set on the 4.5 mark
- ② Full Flush Adjustor : should be set at 'Full Open' (top setting)
- ③ Half Flush Adjustor : should be set at 'Full Open' (top setting)

B Close Coupled / Low Level Cistern 44cm



- ① Half Flush Float : should be set on the 4.0 mark
- ② Full Flush Adjustor : should be set on the 4.5 mark
- ③ Half Flush Adjustor : should be set at 'Full Open' (top setting)



Half flush float

① Move float down, flush volume increases.
 Move float up, flush volume decreases.

Full flush adjustor

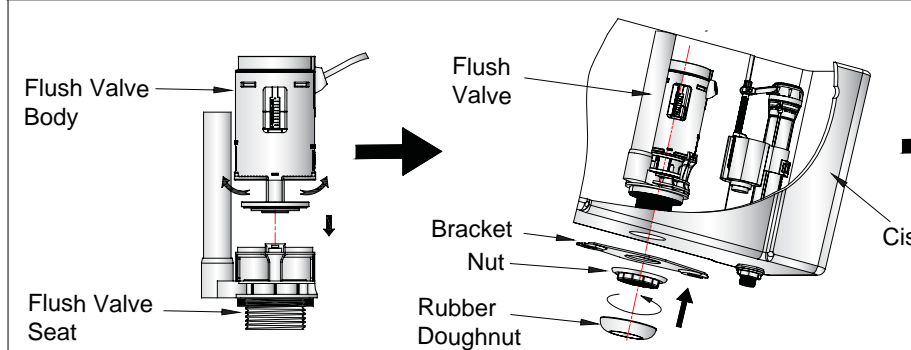
② Move adjustor down, flush volume increases.
 Move float up, flush volume decreases.

Half flush adjustor

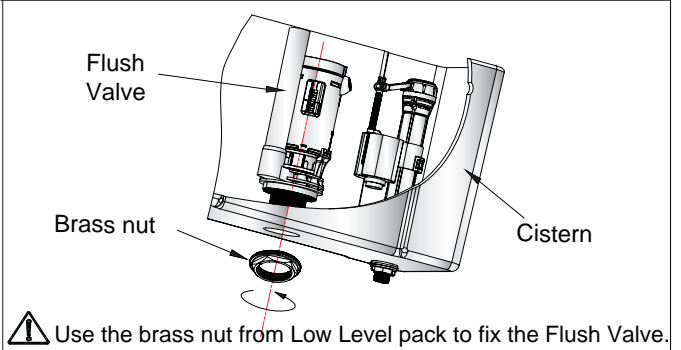
③ Move adjustor down, flush volume increases.
 Move float up, flush volume decreases.

2: Flush Valve installation

Close Coupled Flush Valve Installation



Low Level Flush Valve Installation



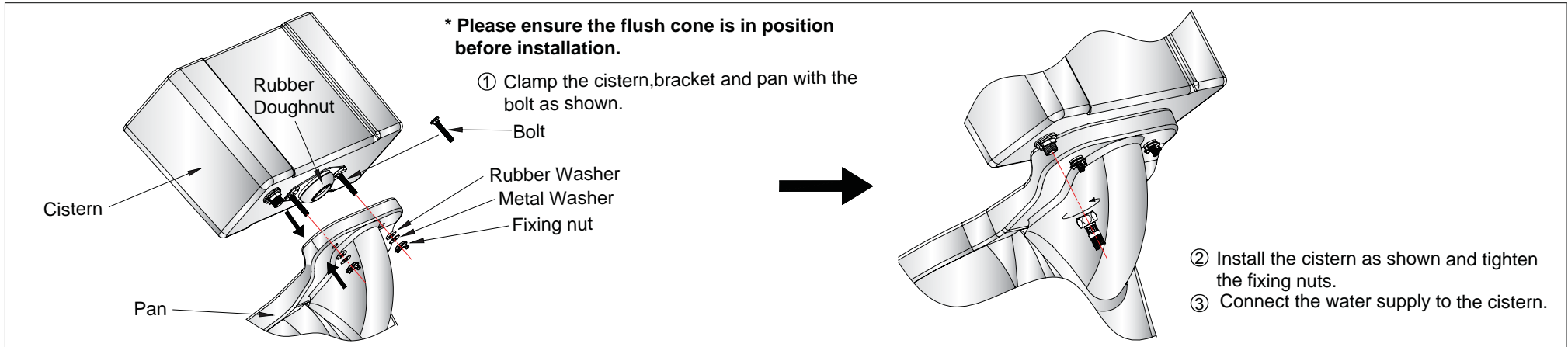
⚠ Use the brass nut from Low Level pack to fix the Flush Valve.

3: Flush Valve trouble shooting

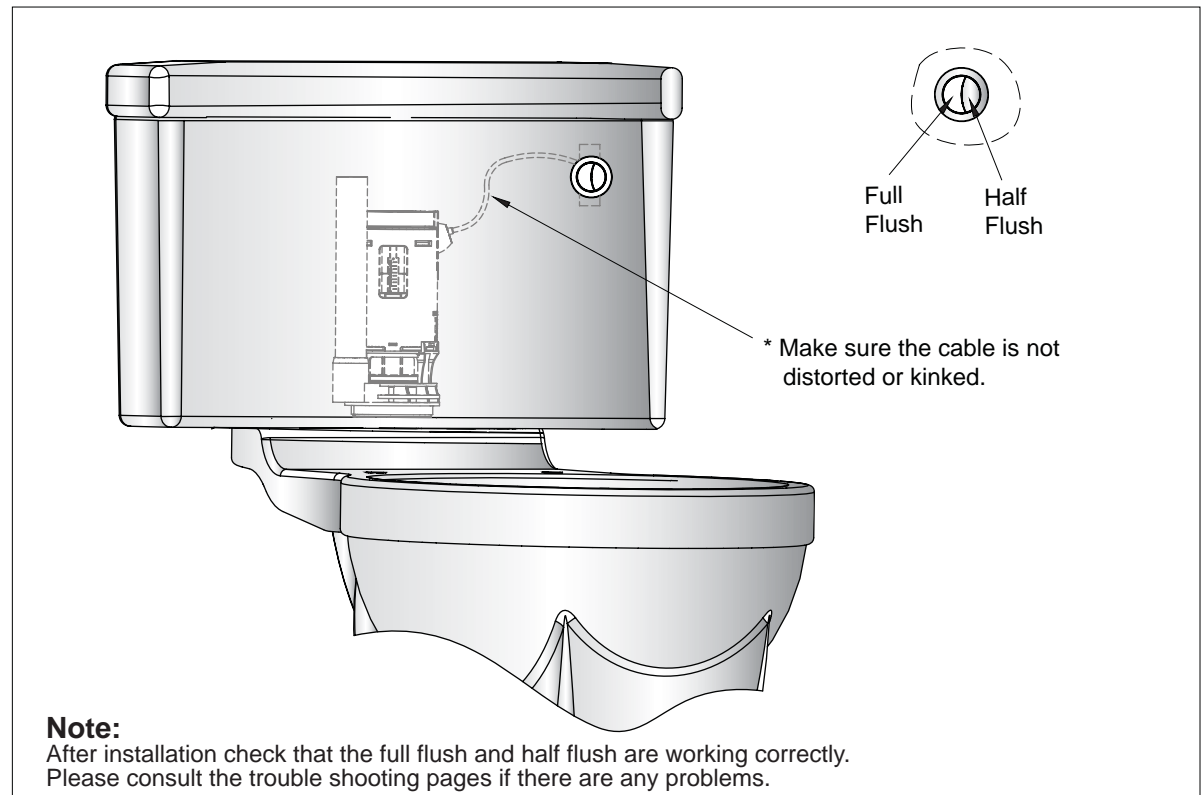
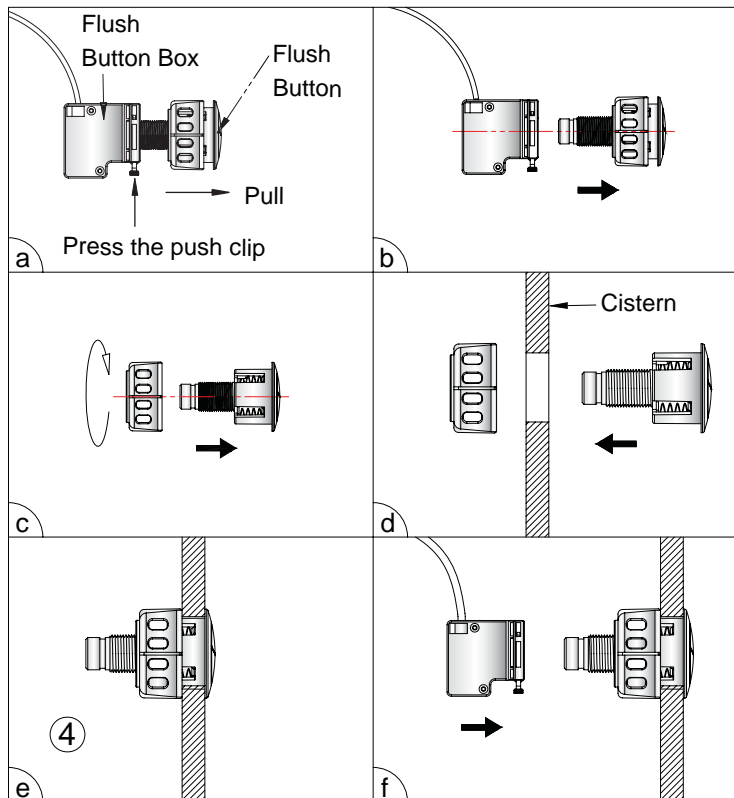
Problem	Reason	Solution
Leakage	1. Incorrect installation. 2. Flush valve seat does not fit flush valve body. 3. Flush valve body is stuck.	1. Install again according to the correct installation procedure. 2. Install again. 3. Disconnect and wash flush valve body.
No flush, low flush or half flush volume	Cable is distorted.	Remove kinks or sharp bends in the cable.
Half flush water level is too high or too low.	Water level is adjusted incorrectly.	Adjust water level.

Close Coupled Cistern & Flush Button Installation

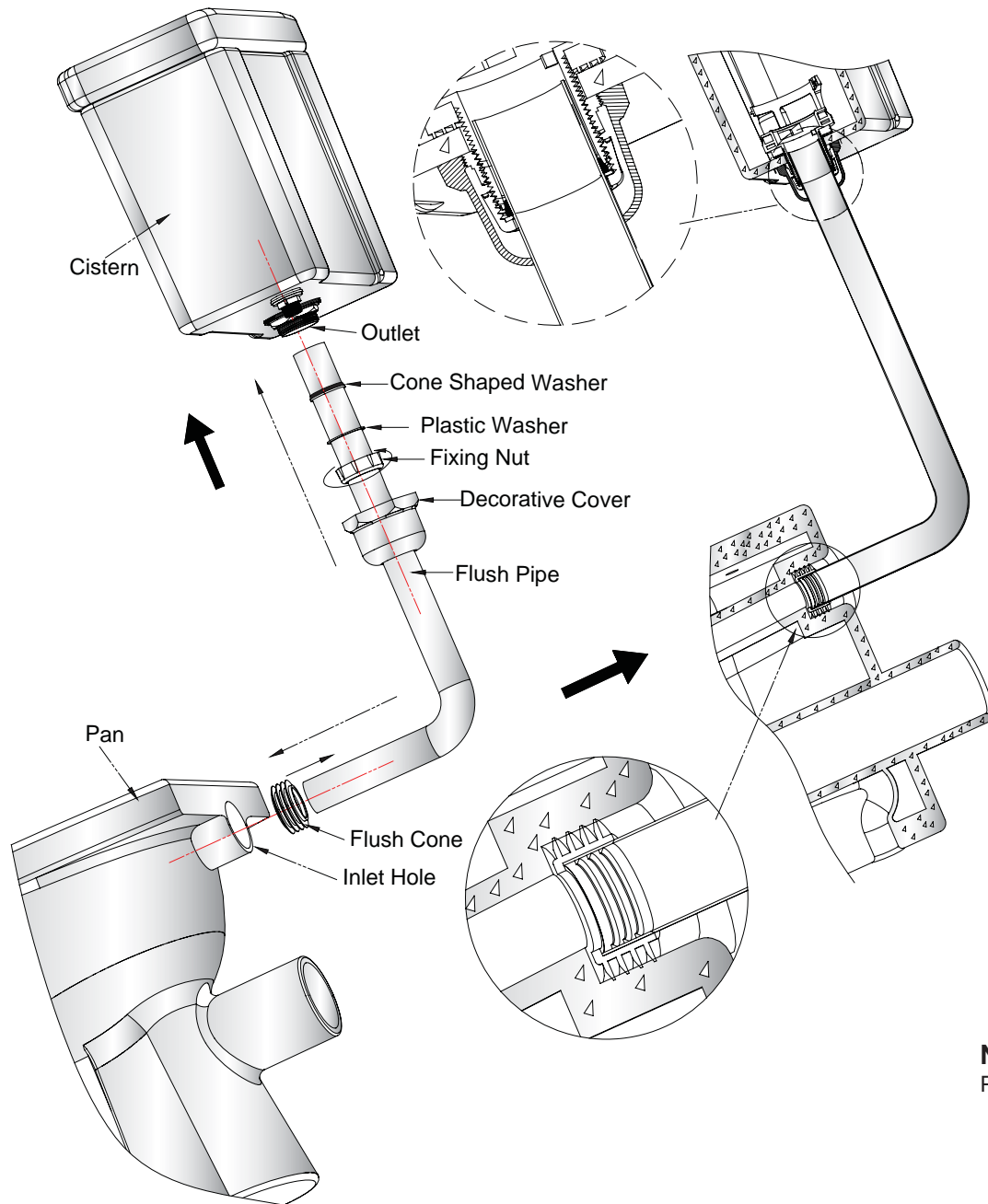
1: Install Close Coupled Cistern To Pan



2: Install The Flush Button



Low Level Cistern Installation



Determine the exact location of the pan and cistern installation, then cut the Flush Pipe accordingly. Fit the Pipe into the cistern in the sequence shown in the diagram. Then insert the Flush Cone into the pan, followed by the Flush Pipe as shown in the diagram.

Note:
Please carefully check for leaks after installation.