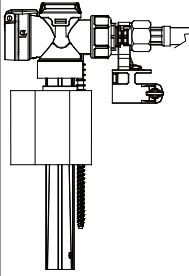
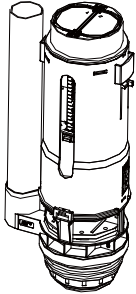







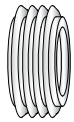
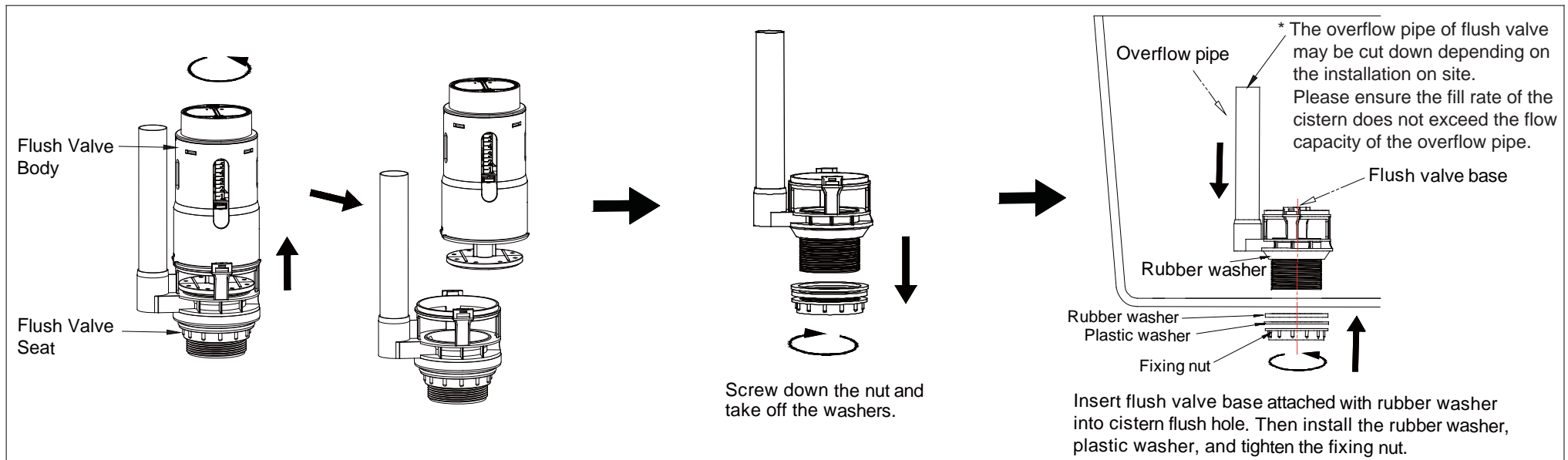


Parts supplied:

					
Inlet Valve	Flush Valve	Plug	Bolt	Flush Cone	Fixing Nut
1x	1x	1x	2x	1x	1x
					
		Button	Plastic Washer	Cone Washer	Flush Cone
		1x	1x	1x	1x

- Please read these instructions carefully to avoid damage to the valves, and to ensure correct installation.
- Do not use bleach or bleach based cleaning products in the cistern, as these will cause damage to the seals. We cannot be held responsible or liable for any failure which results from the use of bleach based products.
- Water temperature range +2C to +45C.
- Water pressure 0.2 to 8 bar.

1: Flush Valve installation

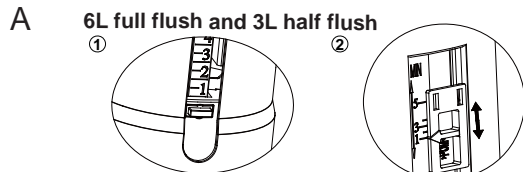


2: Flush Valve scale and adjustment setting

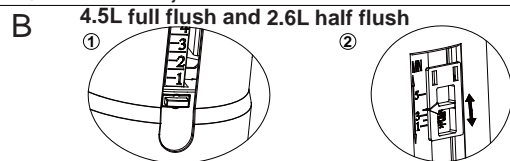
Note: The Flush Valve should be adjusted for the required flush volume.

The diagram "A" below indicates the correct setting for 6L full flush and 3L half flush.

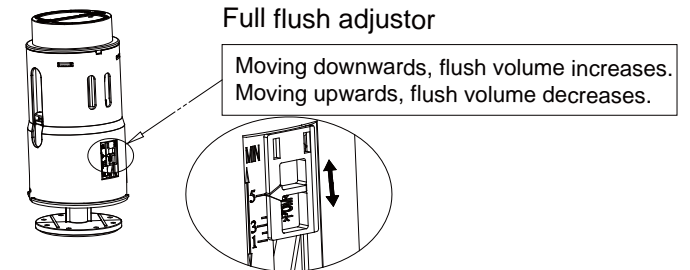
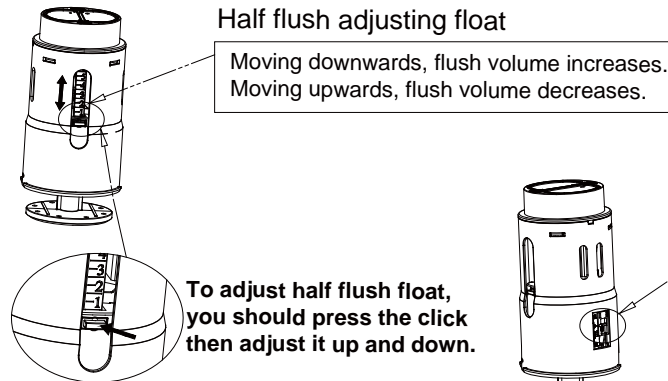
The diagram "B" below indicates the correct setting is for 4.5L full flush and 2.6L half flush.



- ① Half Flush Float : should be set on the 1 mark.
② Full Flush Adjustor : should be set at 1 mark.

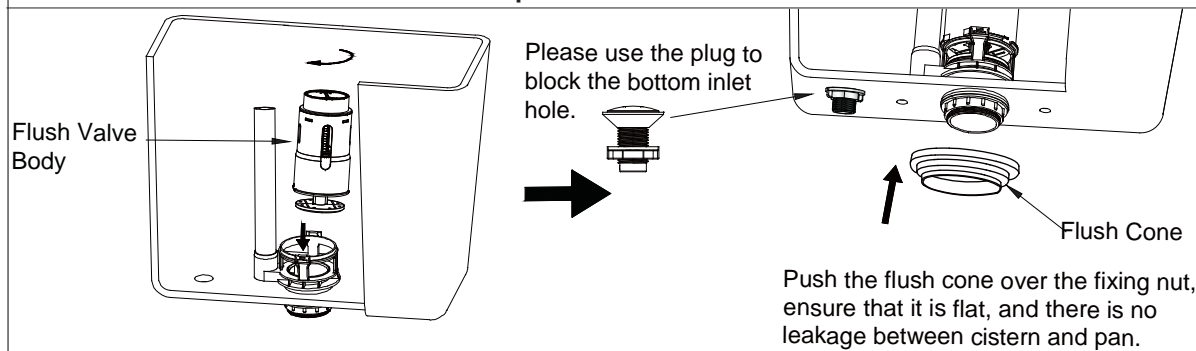


- ① Half Flush Float : should be set on the 1 mark
② Full Flush Adjustor : should be set on the 4 mark

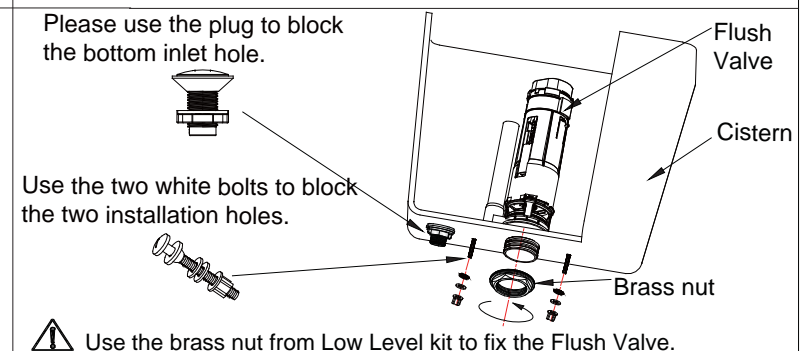


3: Installation Option for Close coupled or Low level

Close Coupled Flush Valve Installation



Low Level Flush Valve Installation

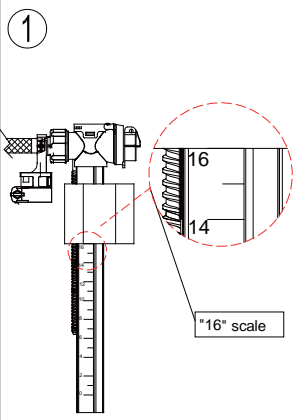


4: Flush Valve trouble shooting

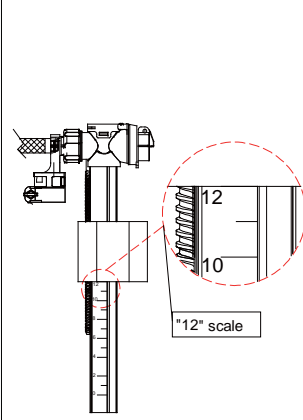
Problem	Reason	Solution
Leakage	1.Incorrect installation. 2.The push rod is too long causing a gap between the washer and the seat. 3.Flush valve seat does not fit on the flush valve body. 4.Flush valve body is stuck.	1.Install again according to the correct installation procedure. 2.Adjust the push rod length. (see page 4) 3.Install again, ensuring both surfaces are clean for a water tight seal. 4.Take off and wash flush valve body.
No flush, low flush or half flush volume	Push rod is too short.	Adjust the push rod length. (see page 4)
Full flush or half flush water level is too high or too low.	Water level is adjusted incorrectly.	Adjust the full flush adjustor or the half flush float cup.

1: Inlet Valve adjustment settings and Installation

①

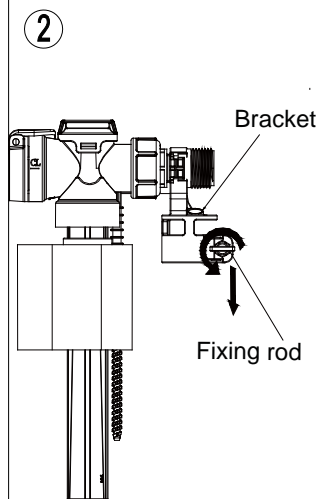


6/3L adjustment setting.

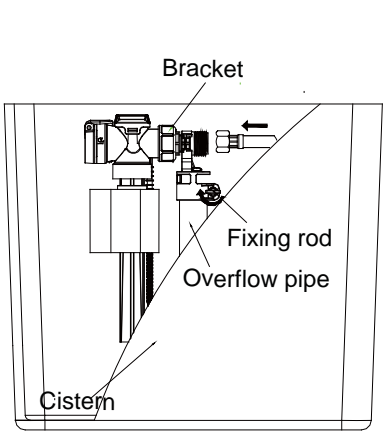


4.5/2.6L adjustment setting.

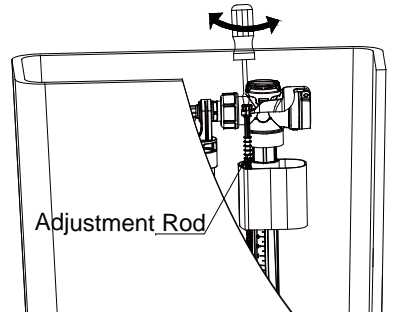
②



Loosen the fixing rod.



Fix the inlet valve onto the overflow pipe, and tighten the fixing rod.



Adjustment Rod

Connect the water supply pipe to the supply end. Open the water supply, Check if the inlet valve works well. If required, the water level could be adjusted.

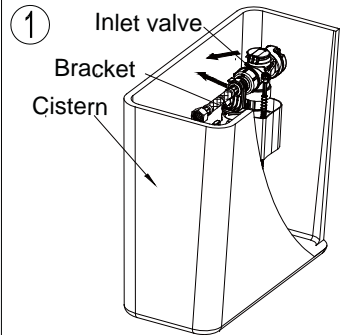
Adjusting the rod:

A: By adjusting clockwise the water level rises and the flush volume increases.

B: By adjusting anti-clockwise the water level falls and the flush volume decreases.

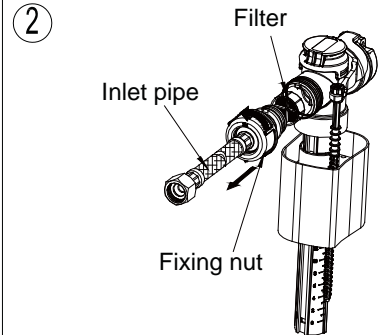
2: Filter cleaning (Please clean periodically)

①



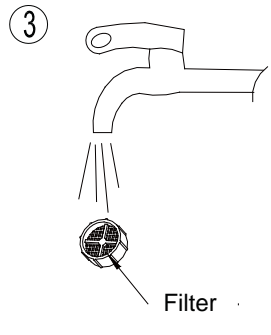
Close the water supply, and take off the inlet valve.

②



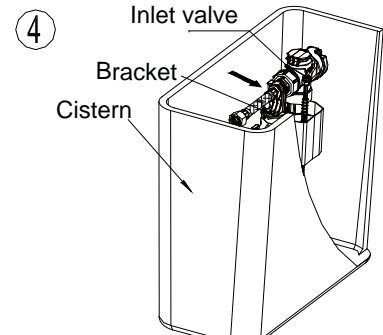
Screw down the fixing nut, and take off the water supply pipe.

③



Clean by rinsing the filter.

④



Reinstall the inlet valve.

3: Inlet Valve trouble shooting

Problem	Reason	Solution
Incorrect water level	Incorrect adjustment.	Adjust the Water level correctly.
Inlet Valve does not work	Water supply is closed.	Open the water supply
	The filter is blocked.	Clean the filter.
	The Stop Float is pressed by the tank.	Readjust the direction of the inlet valve.
Leakage	The Inlet Valve fixing nut has not been tightened.	Tighten the nut.

Close Coupled Cistern & Flush Level Installation

1: Install Close Coupled Cistern To Pan

* Please ensure the flush cone is in position before installation.

Rubber washer
Plastic washer
Fixing nut

② Install the cistern as shown and tighten the fixing nuts.
③ Connect the water supply to the cistern.

2: Install The Flush Button

①

Fixing nut
Locking nut
Push rod

Take off the fixing nut. Screw the lock nut to position.

②

Half flush
Full flush
Fixing nut

Install the dual flush button onto the cistern lid, and tighten the fixing nut.

③a

Too long

③b

Too short

Push rod

Loosen the locking nuts, and unscrew the lock nut after finishing the adjustment of the push rod (A). The final position should be that push rods just come into contact with the flush valve, but should not push down onto it unless the button is activated.

④a

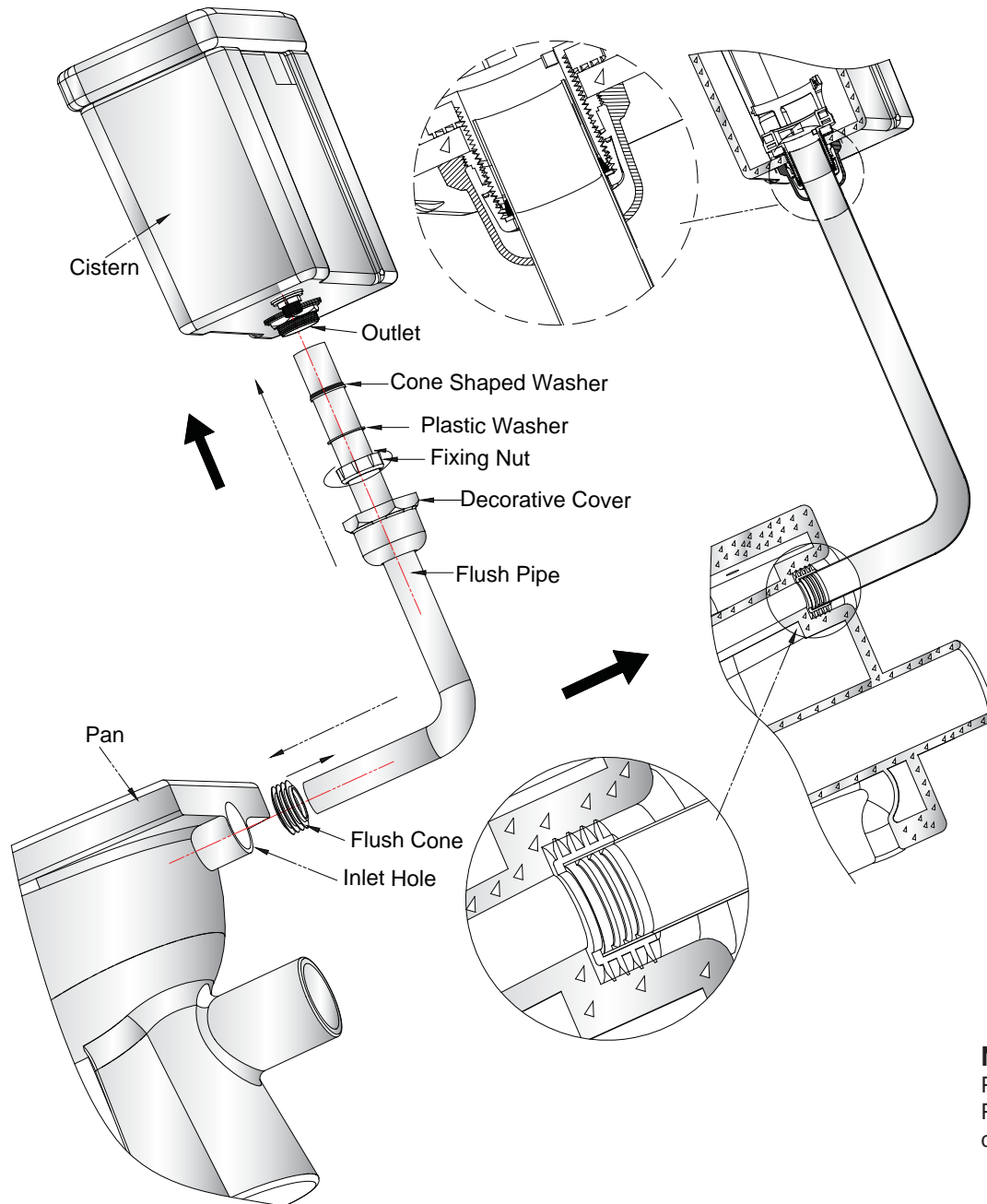
Too short

④b

Locking nut
Push rod
A
B
C

Half Flush Button - Blue
Full Flush Button - White

Low Level Cistern Installation



Determine the exact location of the pan and cistern installation, then cut the Flush Pipe accordingly if necessary. Fit the Pipe into the cistern in the sequence shown in the diagram. Then insert the Flush Cone into the pan, followed by the Flush Pipe as shown in the diagram.

Note:
Please carefully check for leaks after installation.
Please use the white bolts to block the two fixing holes on the bottom of cistern, cut the bolts to suitable length if necessary.