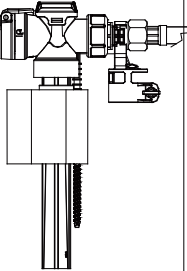
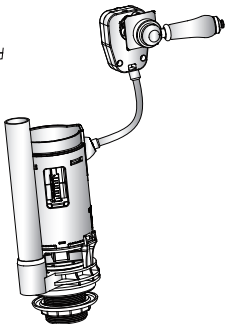




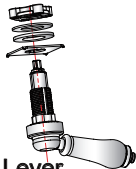


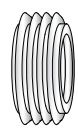
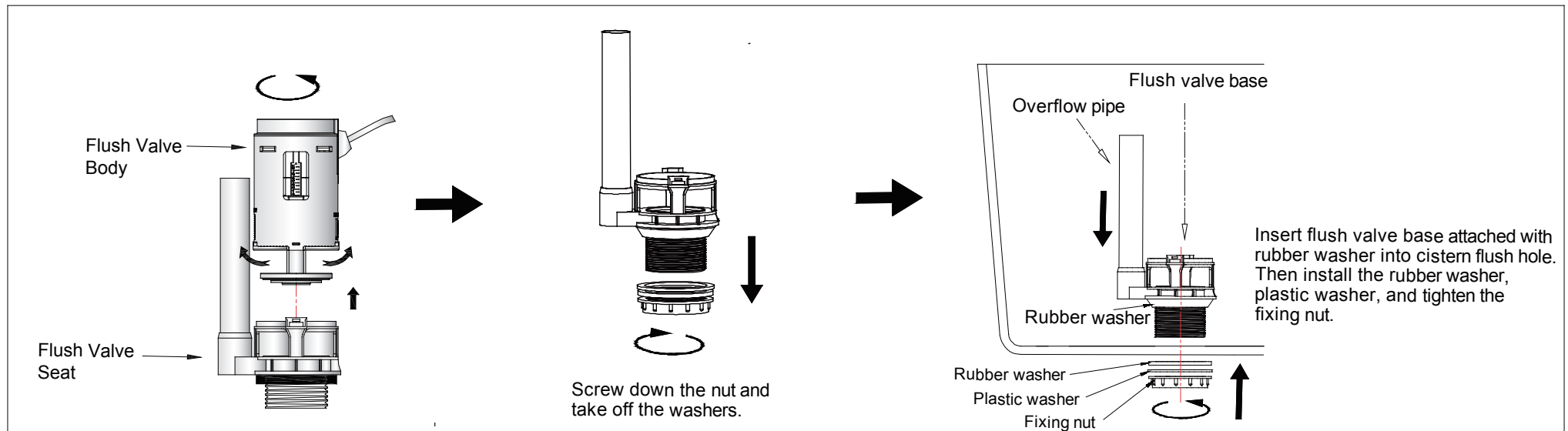


Parts supplied:

					
Inlet Valve	Flush Valve	Plug	Bolt	Flush Cone	Fixing Nut
1x	1x	1x	2x	1x	1x
					
		Lever	Plastic Washer	Cone Washer	Flush Cone
		1x	1x	1x	1x

- Please read these instructions carefully to avoid damage to the valves, and to ensure correct installation.
- Do not use bleach or bleach based cleaning products in the cistern, as these will cause damage to the seals. We cannot be held responsible or liable for any failure which results from the use of bleach based products.
- Water temperature range +2C to +45C.
- Water pressure 0.2 to 8 bar.

1: Flush Valve installation



2: Flush Valve scale and adjustment setting

Note: The Flush Valve should be adjusted for the required flush volume.

The diagram "A" below indicates the correct setting for 6L full flush and 3L half flush.

The diagram "B" below indicates the correct setting is for 4.5L full flush and 2.6L half flush.

C24 Burlington 510mm close coupled cistern tank			
A 6L full flush and 3L half flush		B 4.5L full flush and 2.6L half flush	
① Half Flush Float : should be set on the 1 mark.	② Full Flush Adjustor : should be set at 2 mark.	③ Half Flush Adjustor : should be set at 1.5 mark.	
① Half Flush Float : should be set on the 2.5 mark	② Full Flush Adjustor : should be set on the 5.5 mark	③ Half Flush Adjustor : should be set at 1.5 mark	

C30 Burlington Extended depth 510mm close coupled cistern tank			
A 6L full flush and 3L half flush		B 4.5L full flush and 2.6L half flush	
① Half Flush Float : should be set on the 2.5 mark	② Full Flush Adjustor : should be set on the 5 mark	③ Half Flush Adjustor : should be set at 1.5 mark	
① Half Flush Float : should be set on the 2 mark	② Full Flush Adjustor : should be set on the 5 mark	③ Half Flush Adjustor : should be set at 4.5 mark	

Half flush float
① Move float down, flush volume increases.
Move float up, flush volume decreases.

Half flush adjustor
③ Move adjustor down, flush volume increases.
Move float up, flush volume decreases.

Full flush adjustor
② Move adjustor down, flush volume increases.
Move float up, flush volume decreases.

3: Installation Option for Close coupled or Low level

Close Coupled Flush Valve Installation	Low Level Flush Valve Installation
<p>Please use the plug to block the bottom inlet hole.</p> <p>Push the flush cone over the fixing nut, ensure that it is flat, and there is no leakage between cistern and pan.</p>	<p>Please use the plug to block the bottom inlet hole.</p> <p>Use the two white bolts to block the two installation holes.</p> <p>⚠ Use the brass nut from Low Level kit to fix the Flush Valve.</p>

4: Flush Valve trouble shooting

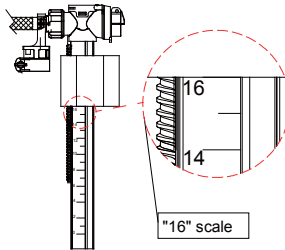
Problem	Reason	Solution
Leakage	1. Incorrect installation. 2. Flush valve seat does not fit flush valve body. 3. Flush valve body is stuck.	1. Install again according to the correct installation procedure. 2. Install again. 3. Disconnect and wash flush valve body.
No flush, low flush or half flush volume	Cable is distorted.	Remove kinks or sharp bends in the cable.
Half flush water level is too high or too low.	Water level is adjusted incorrectly.	Adjust water level.

1: Inlet Valve adjustment settings and Installation

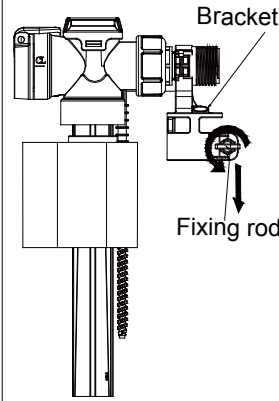
①

C24 Burlington 510mm close coupled cistern tank

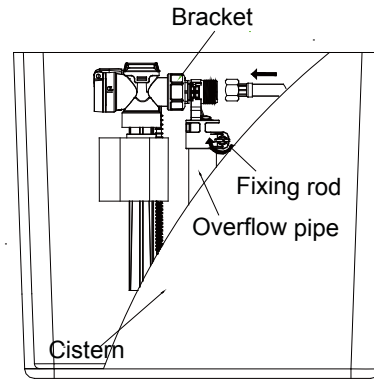
Adjust the scale to 16.



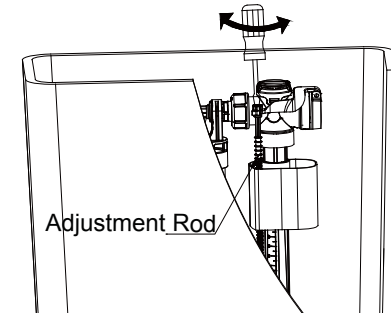
②



Loosen the fixing rod.



Fix the inlet valve onto the overflow pipe, and tighten the fixing rod.



Connect the water supply pipe to the supply end. Open the water supply, Check if the inlet valve works well. If required, the water level could be adjusted.

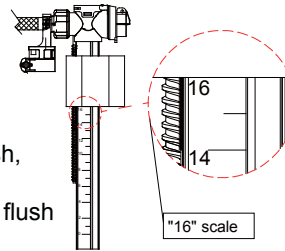
Adjusting the rod:

- A: By adjusting clockwise the water level rises and the flush volume increases.
- B: By adjusting anti-clockwise the water level falls and the flush volume decreases.

①

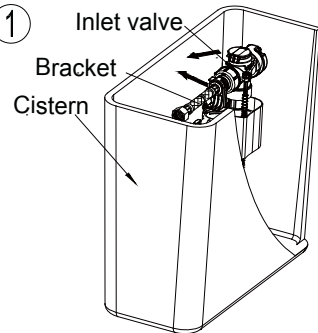
C30 Burlington Extended depth 510mm close coupled cistern tank

6L full flush and 3L half flush, Adjust the scale to 16.
4.5L full flush and 2.6L half flush Adjust the scale to 13.



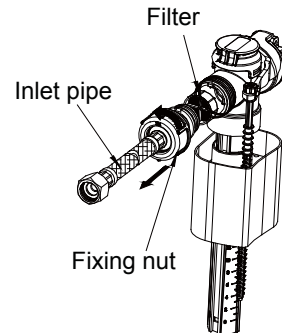
2: Filter cleaning (Please clean periodically)

①



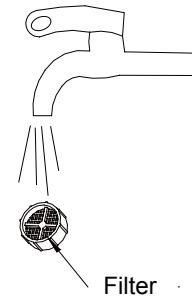
Close the water supply, and take off the inlet valve.

②



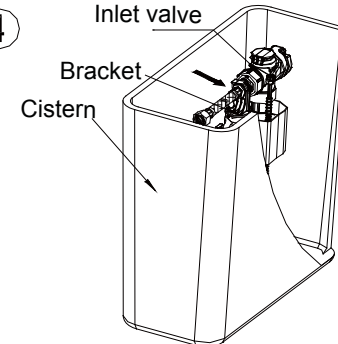
Screw down the fixing nut, and take off the water supply pipe.

③



Clean by rinsing the filter.

④



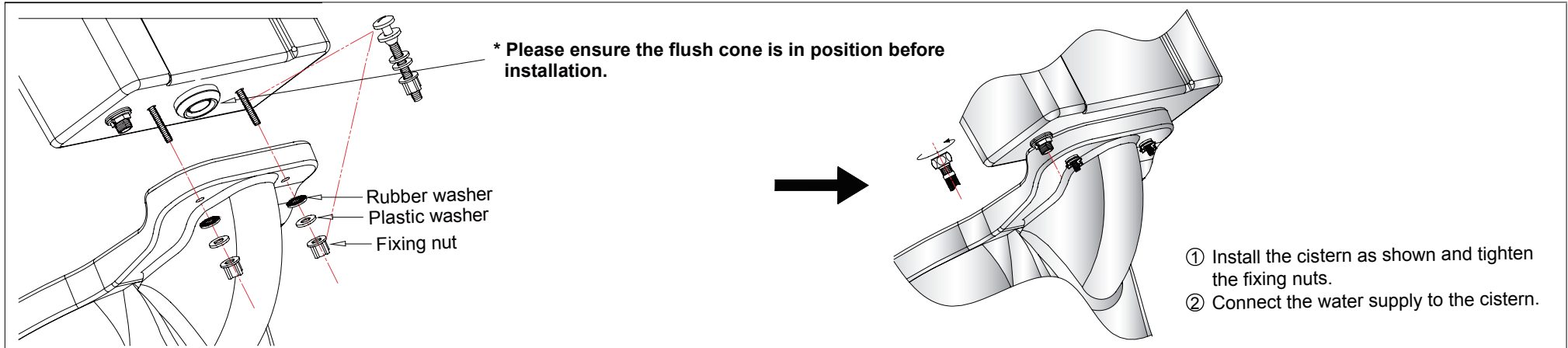
Reinstall the inlet valve.

3: Inlet Valve trouble shooting

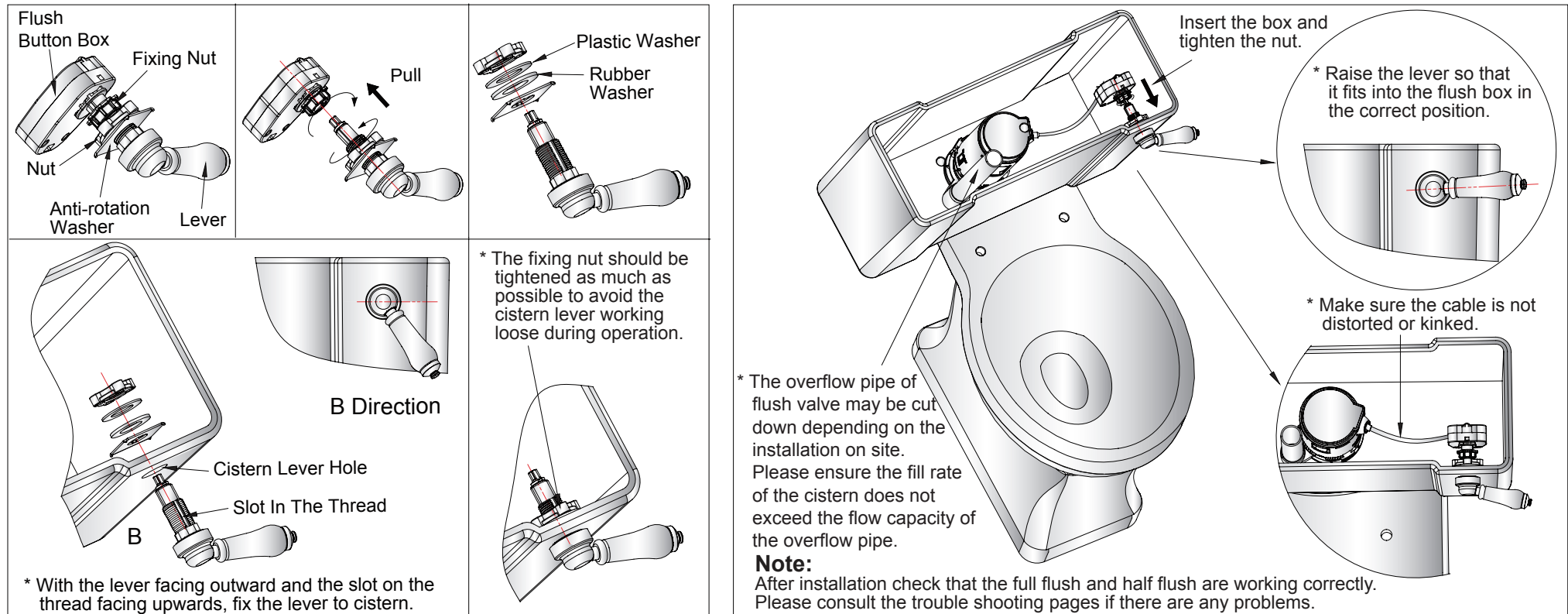
Problem	Reason	Solution
Incorrect water level	Incorrect adjustment.	Adjust the Water level correctly.
Inlet Valve does not work	Water supply is closed.	Open the water supply
	The filter is blocked.	Clean the filter.
	The Stop Float is pressed by the tank.	Readjust the direction of the inlet valve.
Leakage	The Inlet Valve fixing nut has not been tightened.	Tighten the nut.

Close Coupled Cistern & Flush Level Installation

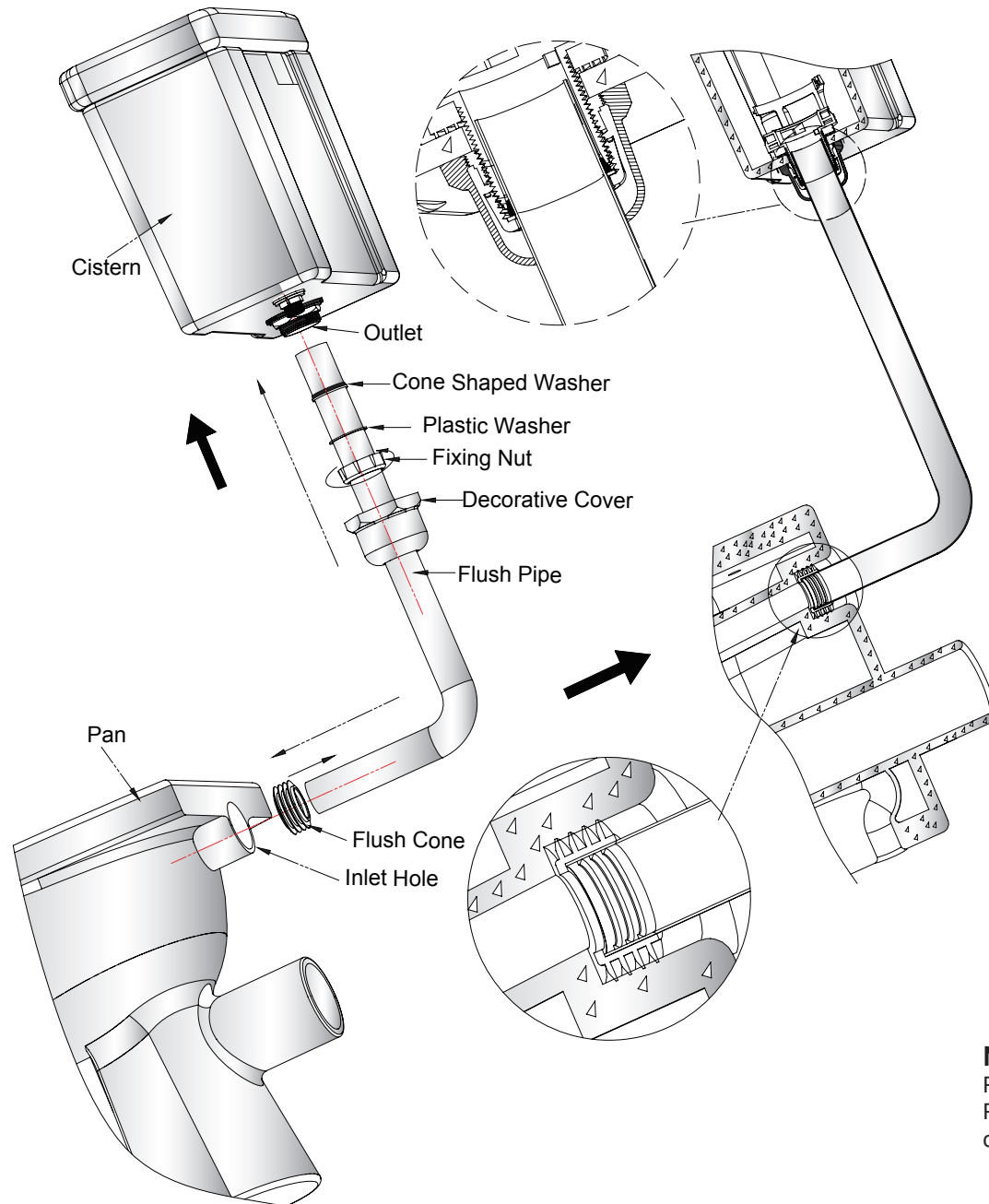
1: Install Close Coupled Cistern To Pan



2: Install Lever



Low Level Cistern Installation



Determine the exact location of the pan and cistern installation, then cut the Flush Pipe accordingly if necessary. Fit the Pipe into the cistern in the sequence shown in the diagram. Then insert the Flush Cone into the pan, followed by the Flush Pipe as shown in the diagram.

Note:

Please carefully check for leaks after installation. Please use two white bolts to block the two fixing holes on the bottom of cistern, cut the bolts to suitable length if necessary.