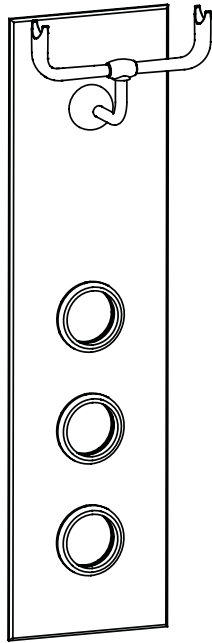
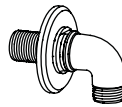


INSTALLATION INSTRUCTIONS

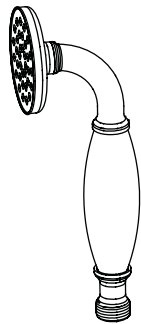
Clyde brass Faceplate with Cradle, Handset, Hose & 1/2" outlet elbow - V37



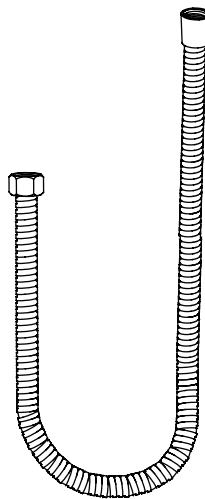
CLYDE FACEPLATE WITH CRADLE



WALL MOUNTING ELBOW



SHOWER HANDSET



FLEXIBLE HOSE

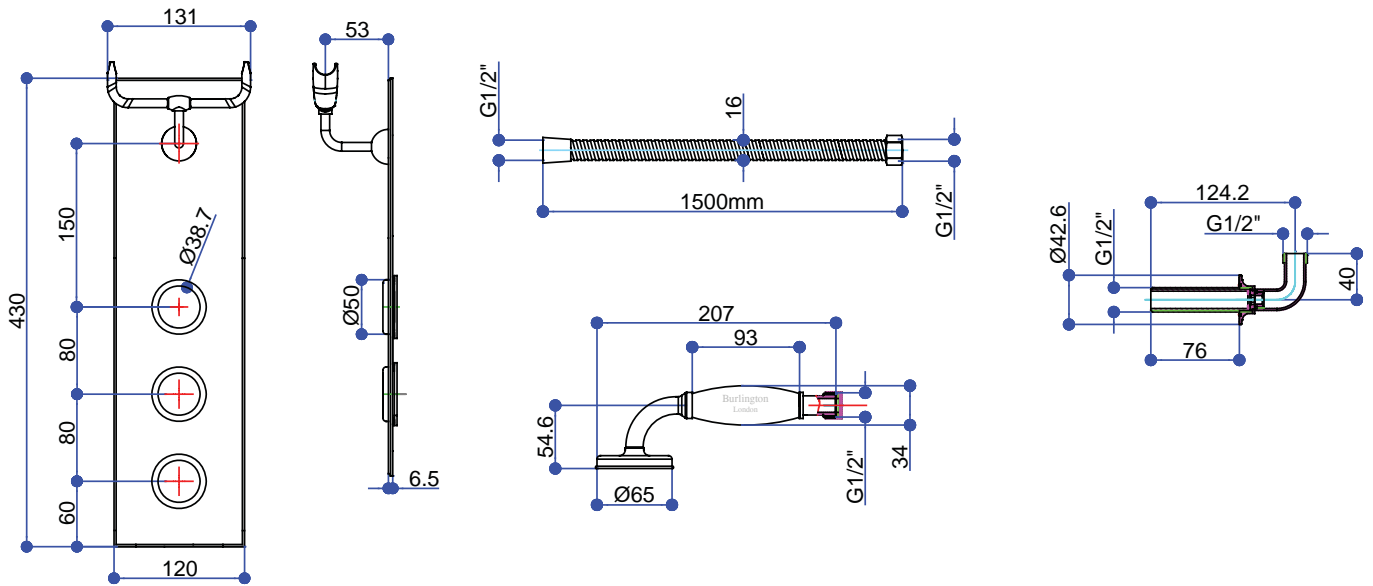
Important

- We recommend that this product is installed by a qualified professional contractor. Such as a plumber who is certified by NVQ (National Vocational Qualification) or SNVQ (Scottish National Vocational Qualification) Level 3
- Please check this product immediately to ensure that it has not been damaged and is complete. Before installation, please make sure this product is the correct model and you have all the parts required for installation and using.
- Please flush the water system to ensure that no metal swarf, solder, and other impurities can enter the valves.
- Turn off water supply before commencing work, this should be done at the isolating valves of inlet feeds if fitted or main stopcock.
- Please read these instructions carefully and keep it for future reference.

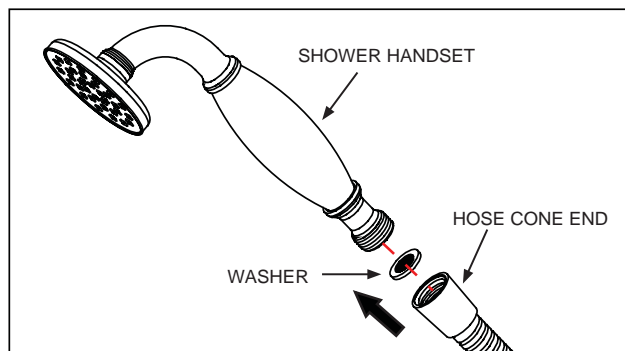
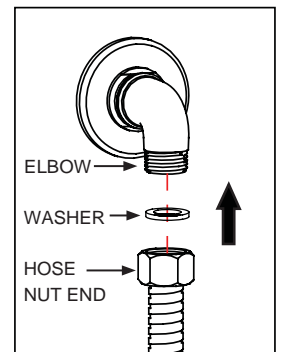
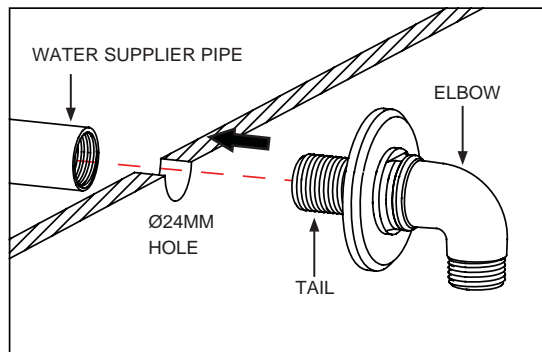
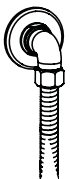
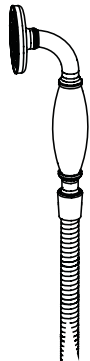
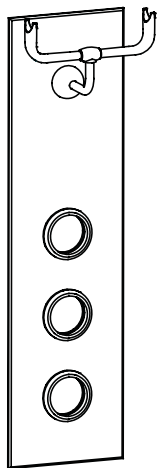
Cleaning

We do NOT recommend you use any household cleaners to clean the product. Because these cleaners change substance or formula too frequently. So product should be always cleaned only with soapy water and rinsing with clean water and drying with soft cloth.

Dimension



Installation



The Trent Faceplate with Cradle should be installed together with the Clyde Dual Control Concealed Shower Valve (V36). For the detailed installation, please refer to the Clyde Dual Control Concealed Shower Valve Installation Instruction.

Install the wall mounting elbow and flexible hose

- Drill 24mm diameter hole on the wall.
- Smear or wind a suitable sealing material round the tail of elbow and then insert the tails into the holes on the wall.
- The fiber washer (not supplied) maybe inserted between the tail and the wall or tile surface to protect it.
- Connect the water supplier pipe to the tail.
- Tighten the tail with pipe.
- It is possible to use a G1/2 fixing nut (not supplied) to secure the wall mounting elbow if they reach through a wall and the supply can then terminate in a swivel or flexible coupling.
- Screw the flexible hose on the elbow.