

INSTALLATION INSTRUCTIONS

The radiator can be installed and connected to a central heating system.

THESE TOWEL RAILS ARE NOT SUITABLE FOR USE WITH DUAL FUEL ELEMENTS.

PLEASE NOTE: THE BERKELEY RADIATORS ARE MADE FROM STEEL AND WHEN CONNECTED TO CENTRAL HEATING SYSTEMS SHOULD ONLY BE USED ON CLOSED SYSTEMS CONTAINING A RUST INHIBITOR.

- review instructions carefully before installation
- installation should be completed by a suitably qualified person
- please dispose of packaging in a responsible manner

PLEASE NOTE:

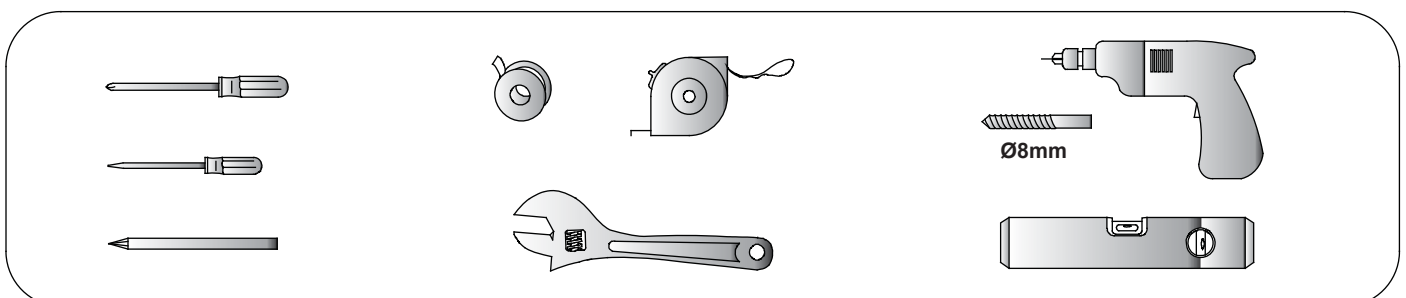
- This product can only be used at $PN \leq 1\text{MPa}$ (10Kg/cm, 10Bar). It should only be filled with a water mixture containing a rust inhibitor, and at a temperature below 100°C (or 212°F). See table below for installation requirements.
- If the temperature exceeds 48°C (or 120°F), please install a warning sign near the product to avoid burning or scalding accidents.
- If the product is not used for a period during which ambient temperature drops below 5°C (or 41°F), please drain the water out of the radiator to avoid oxidization.
- For prolonged usage and safe operation please check product at regular intervals.

Filling	Pressure	Temperature	Remarks
Water mixture containing a rust inhibitor	$PN \leq 1\text{Mpa}$	$0^{\circ}\text{C} \leq t \leq 100^{\circ}\text{C}$	If ambient temperature drops below 1°C, drain out the water to prevent damage from freezing.

AFTER CARE ...

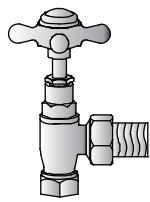
The Berkeley radiators are made from steel with gold plating, and should not be cleaned with corrosive or scouring cleaning agents.

Tools required:

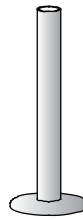


Heated with the central heating system

Parts required:



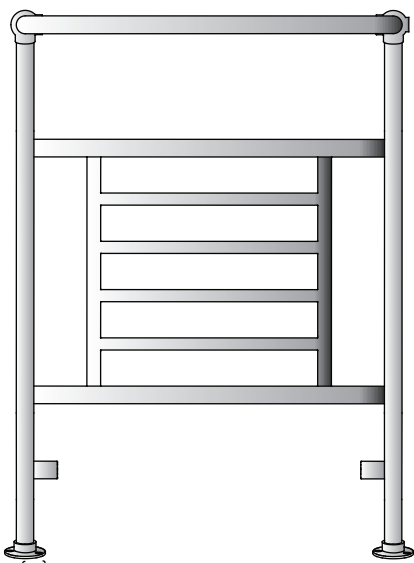
2x




2x

The diagrams of control valve and the connecting pipe as shown above are for reference only, and should be purchased separately.

Parts supplied:




 12x
ST4.8 * 45mm

 12x

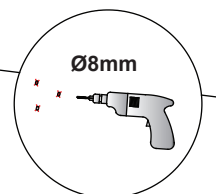
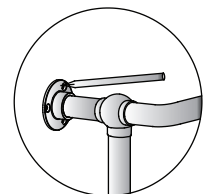
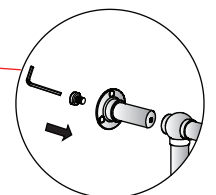
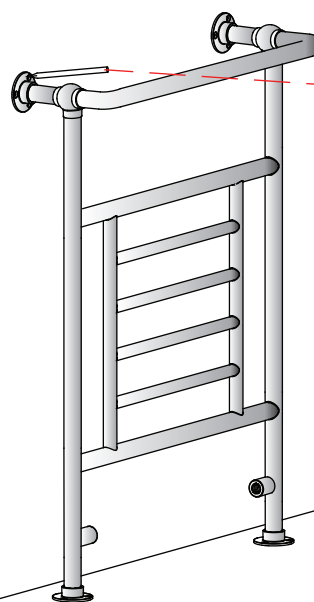
 1x

 2x

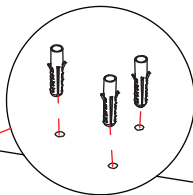
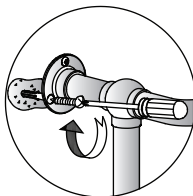
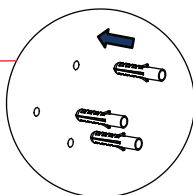
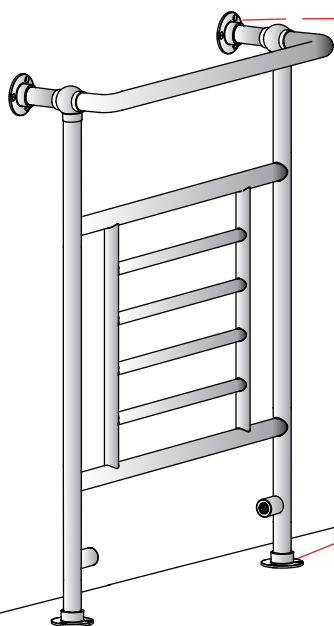
 2x

 1x

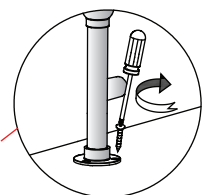
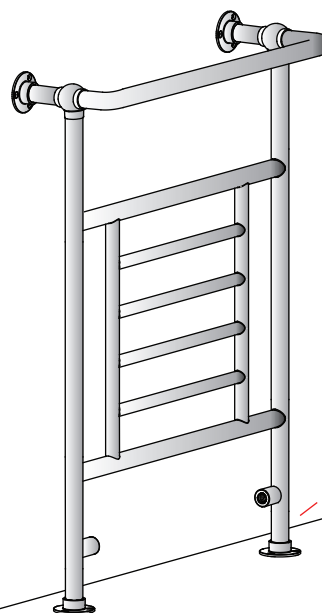
① Installation position is determined by installer.

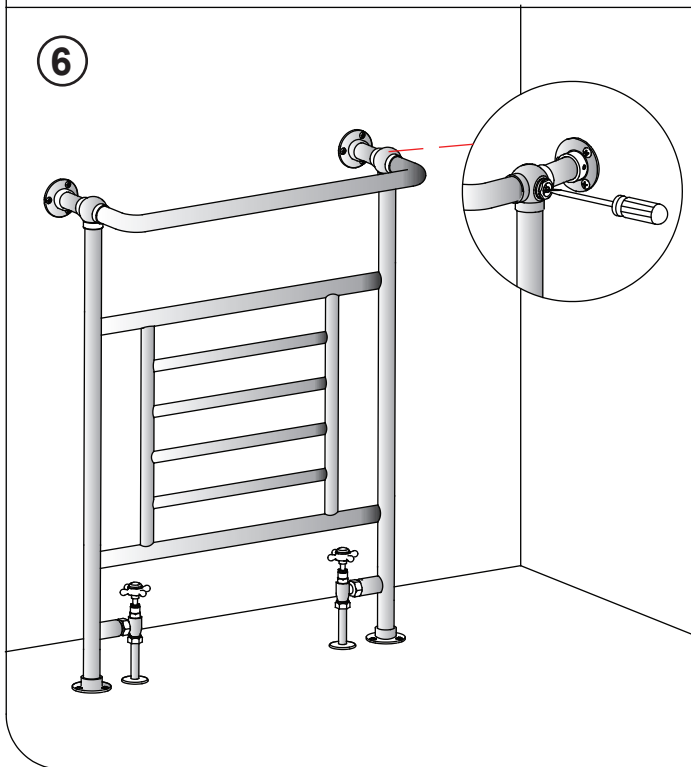
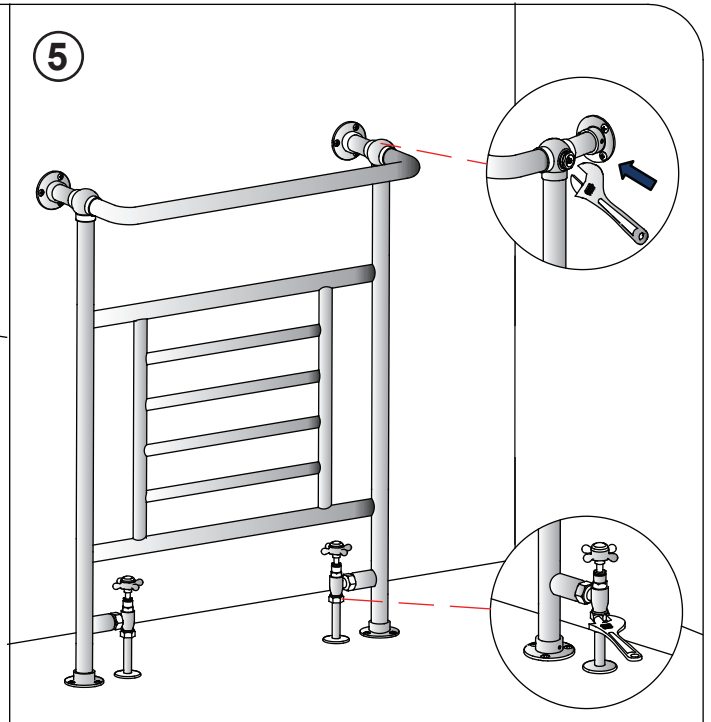
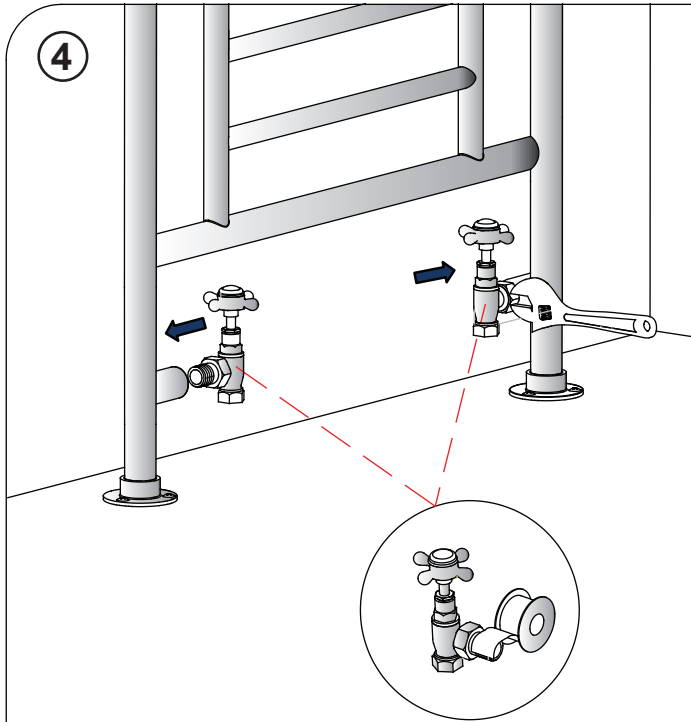


②



③





After installation ...

- Use a screwdriver to open the air vent, open the inlet valve and let the water rush into the radiator. Check all connections for leaks.
- Once water overflows from the air vent, there is no air in the tube, use a screwdriver to close the air vent. Turn on the outlet valve and the radiator is ready for use.