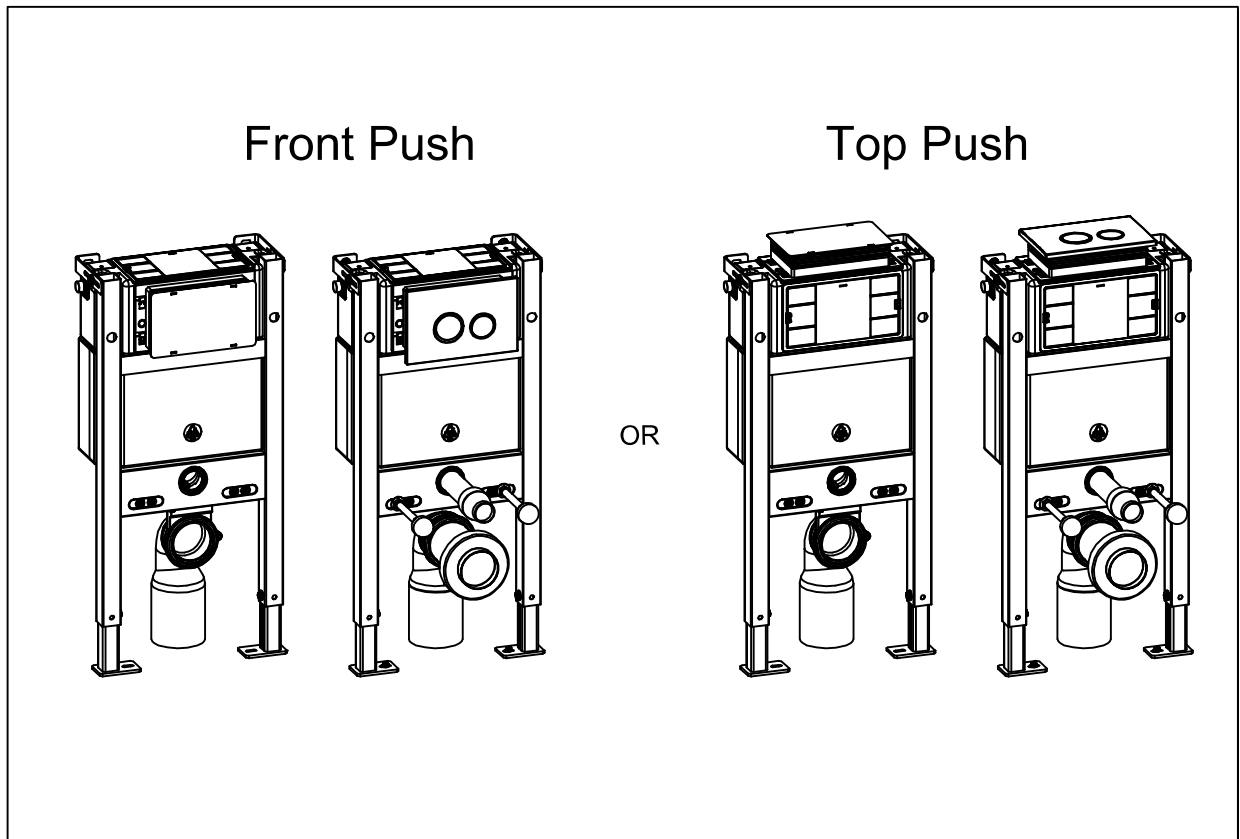
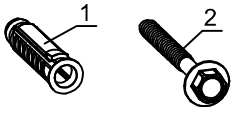
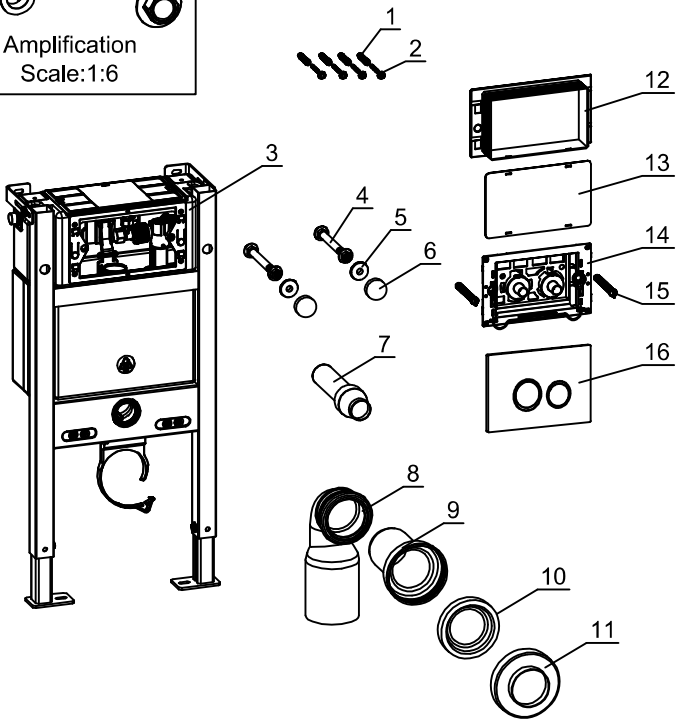


Installation



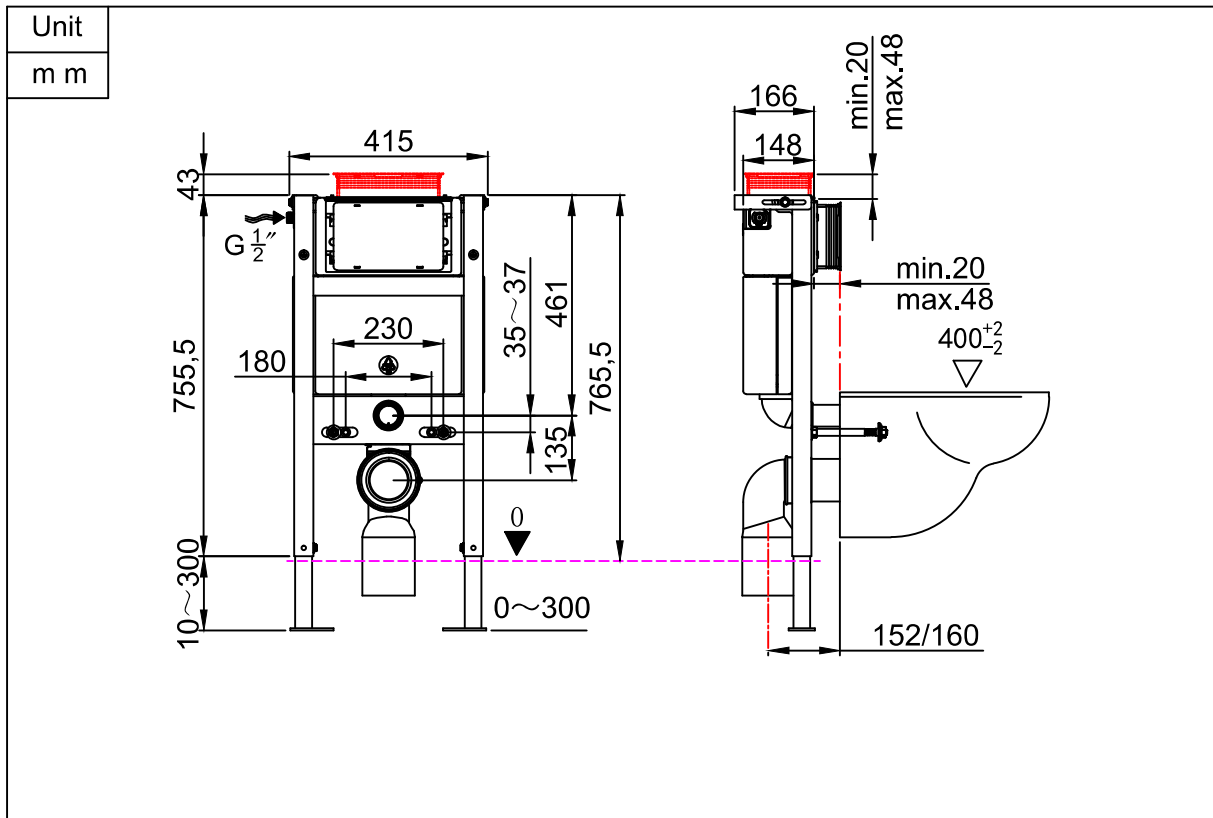


Amplification
Scale:1:6



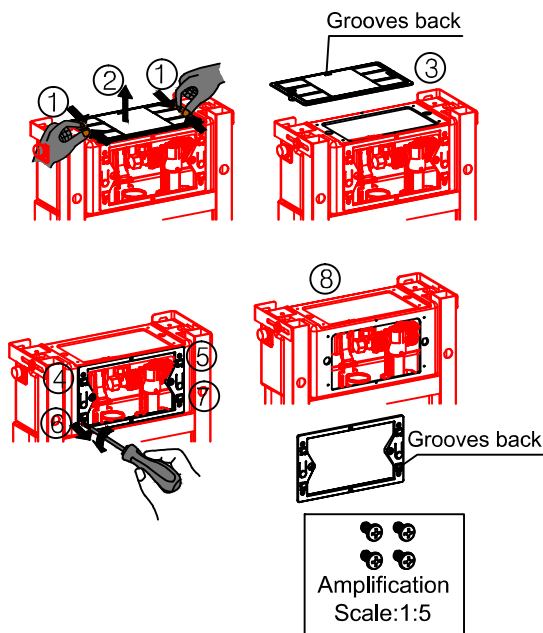
No.	Name	Quantity
1	Screw socket	4
2	Screw	4
3	Tank+Metal Frame	1
4	M12 Bolts	2
5	Washer	2
6	Cap	2
7	Inlet pipe	1
8	L Drainer Pipe	1
9	Drainer Pipe	1
10	Rubber Gasket	1
11	Drainer pipe Protection cap	1
12	Assemble Frame	1
13	Tank Protection cap	1
14	Control system	1
15	Bolts	2
16	Flush Plate	1

Installation

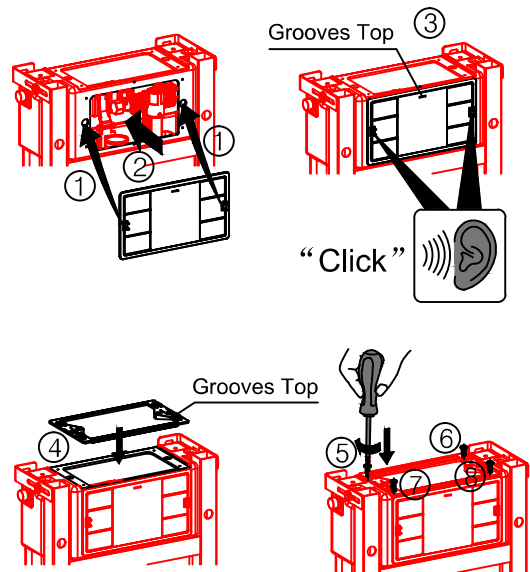


Interchange method

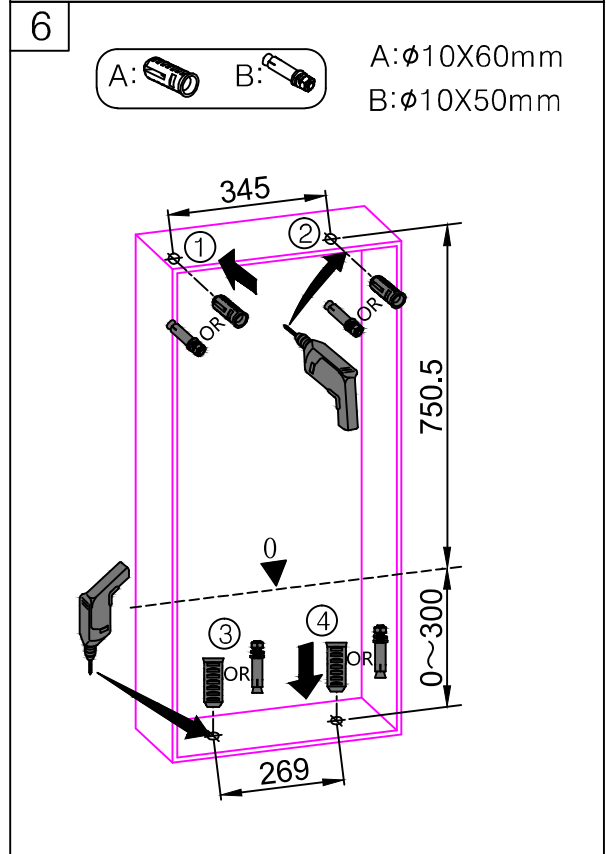
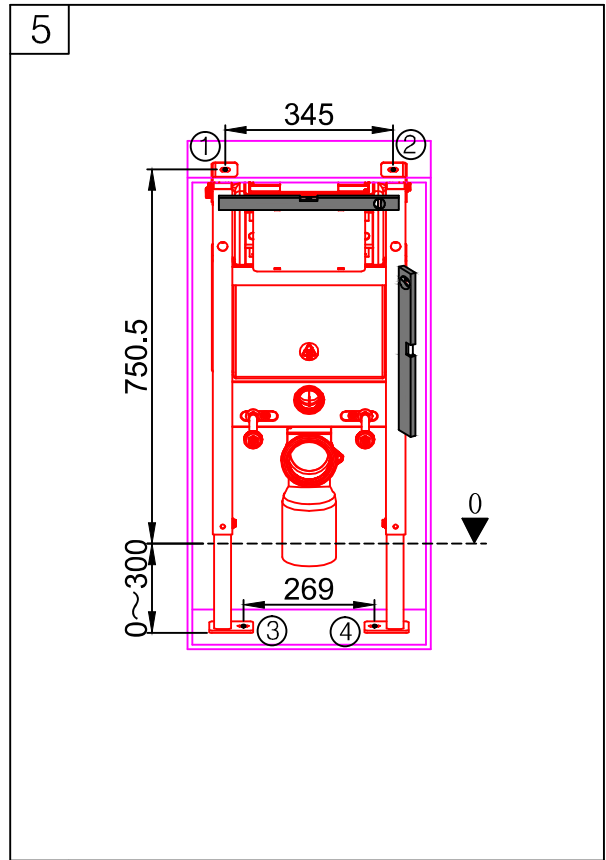
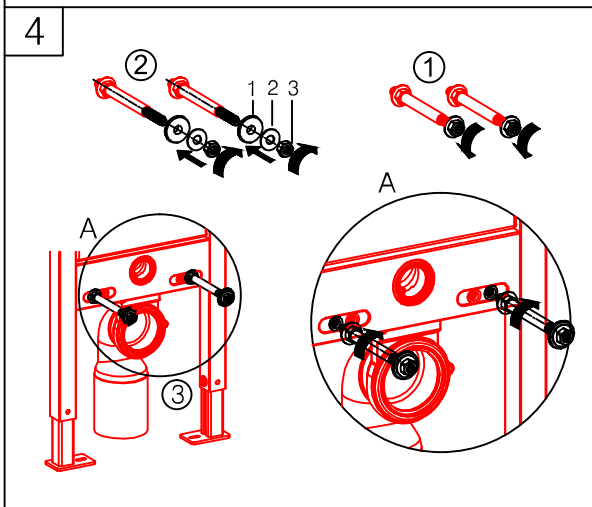
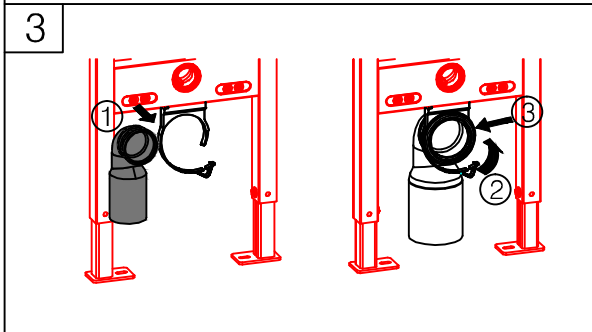
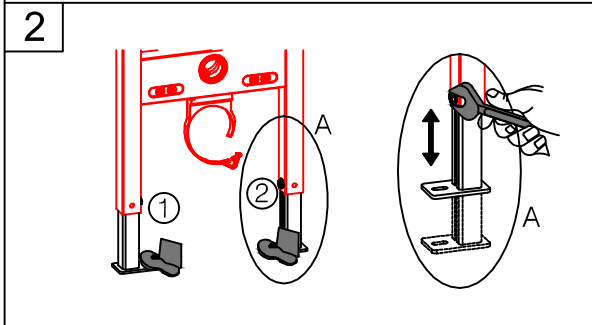
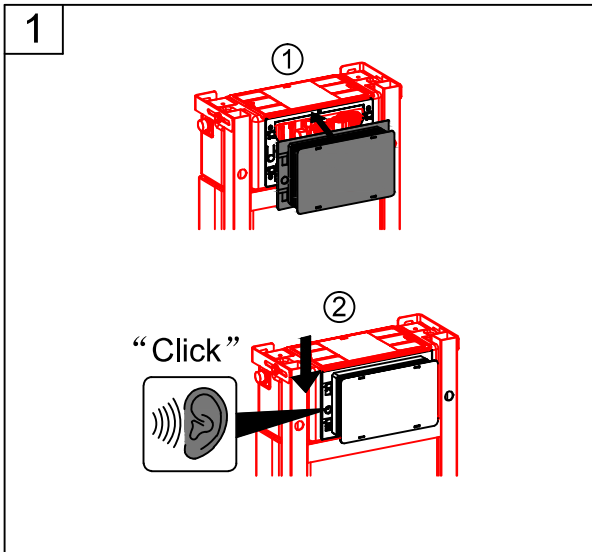
Front to Top disassemble method



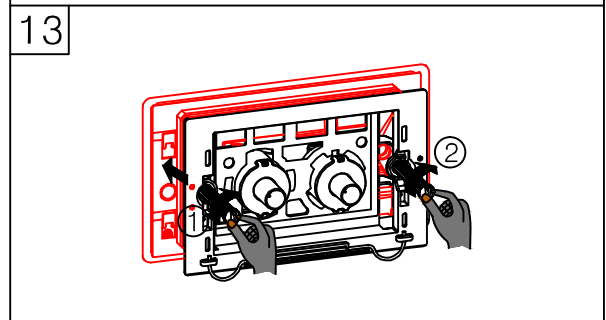
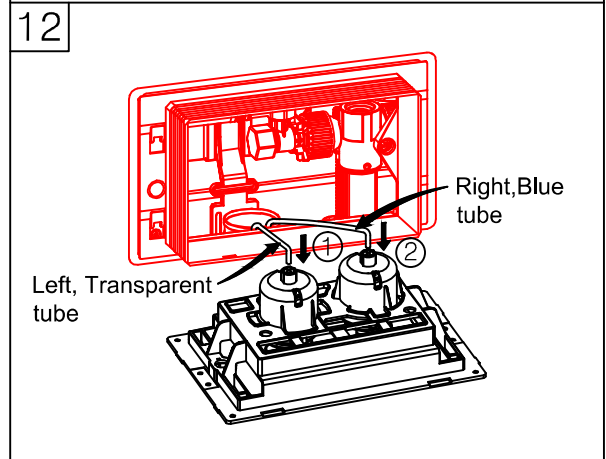
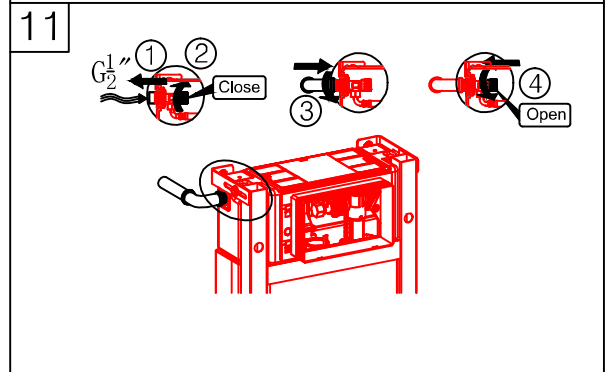
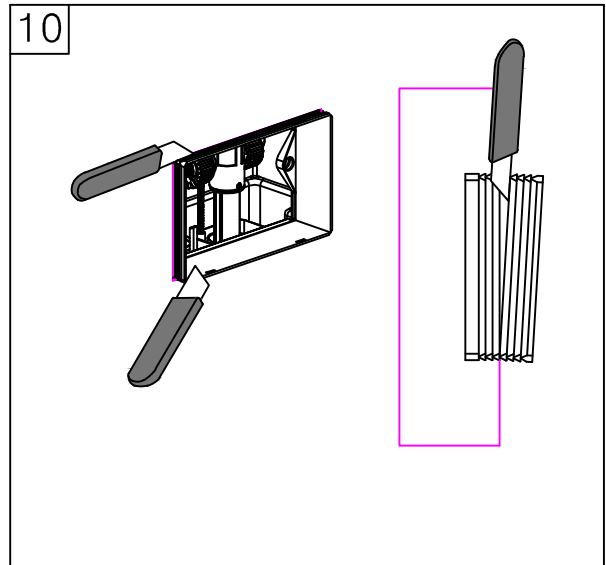
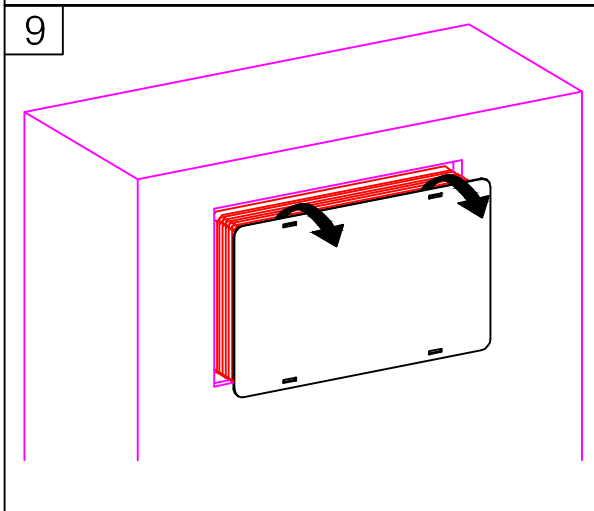
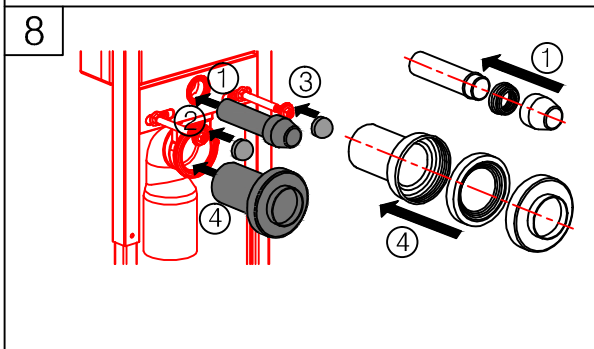
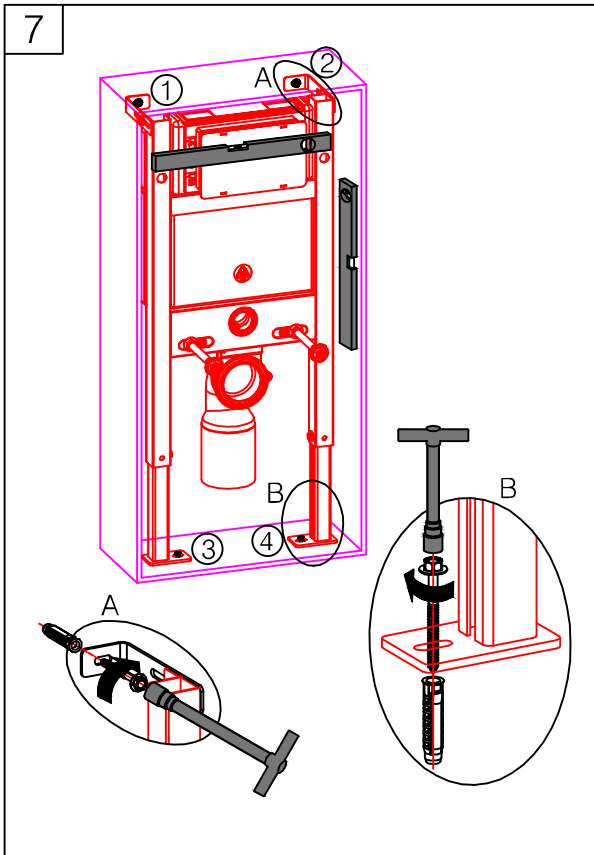
Front to Top assemble method



Installation

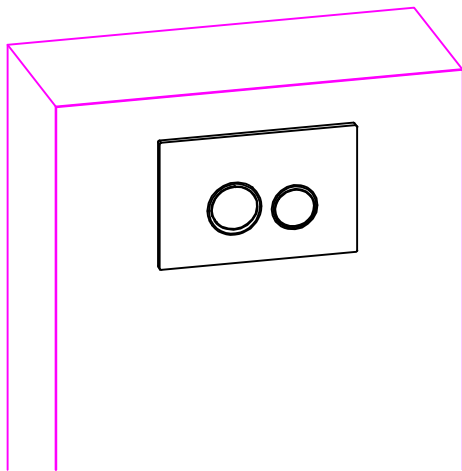
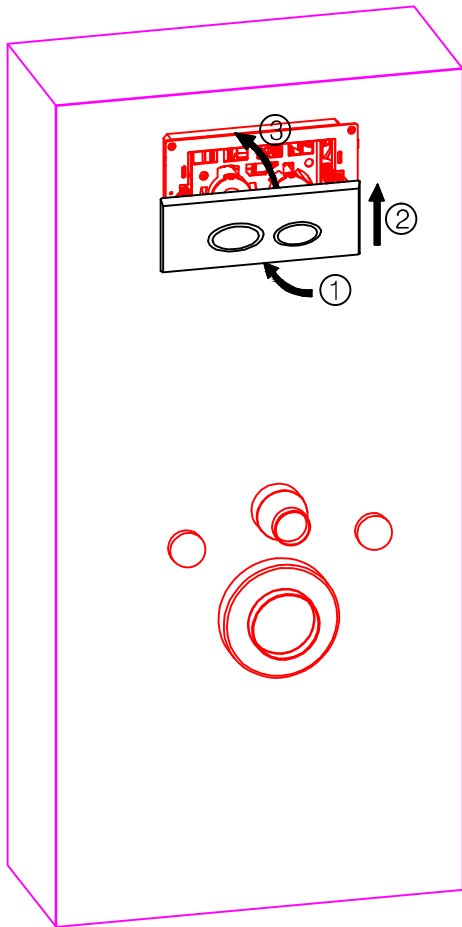


Installation

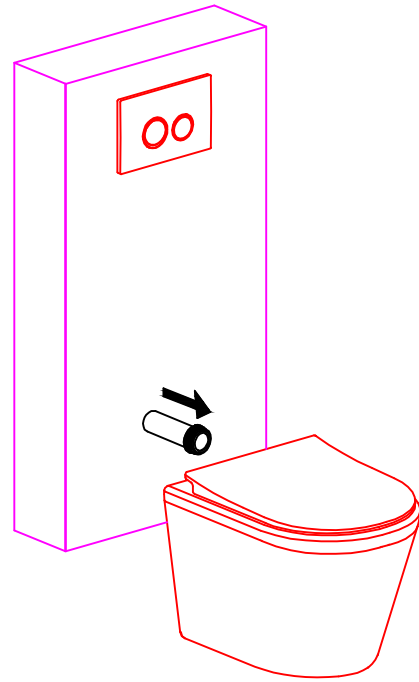


Installation

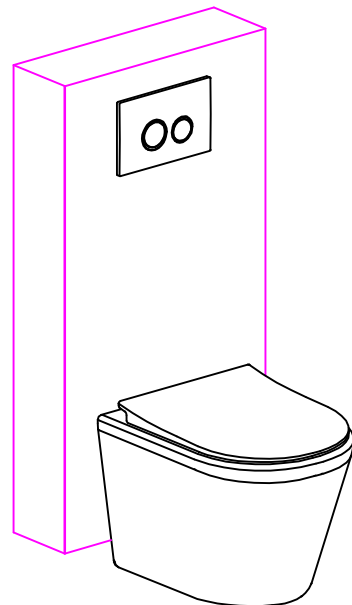
14



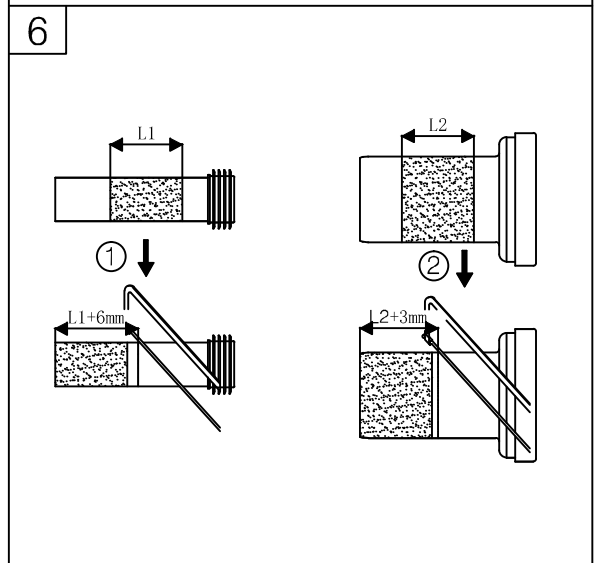
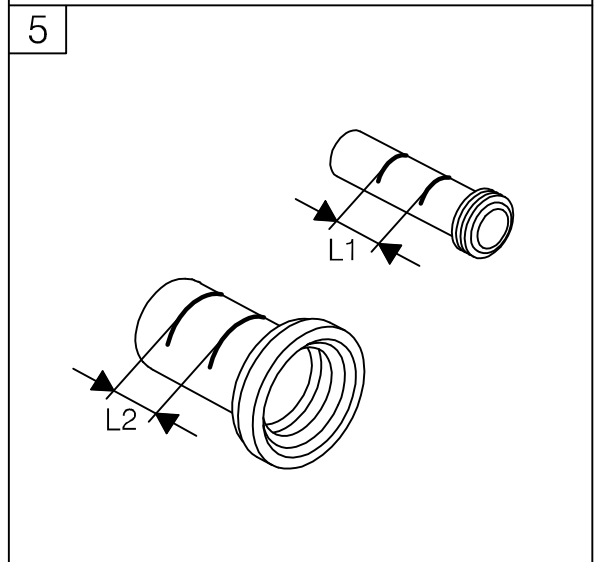
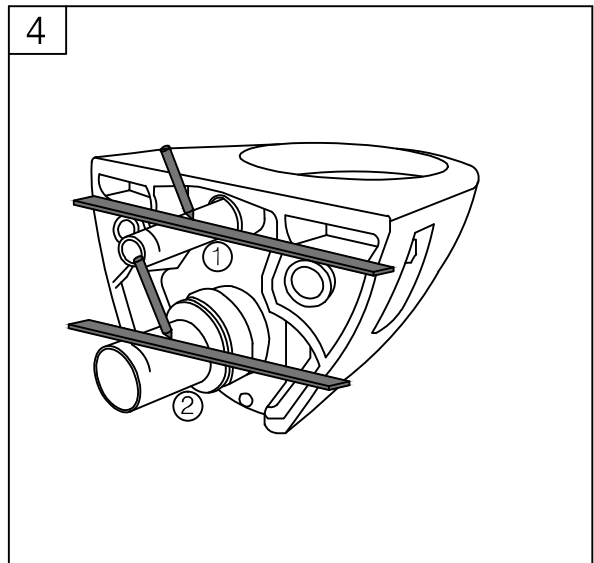
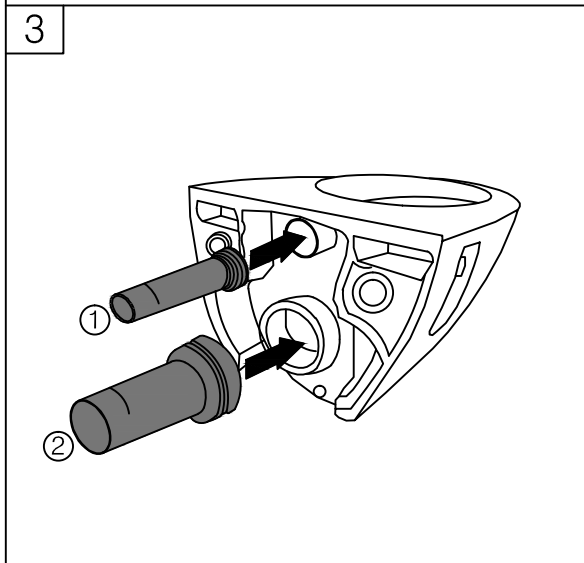
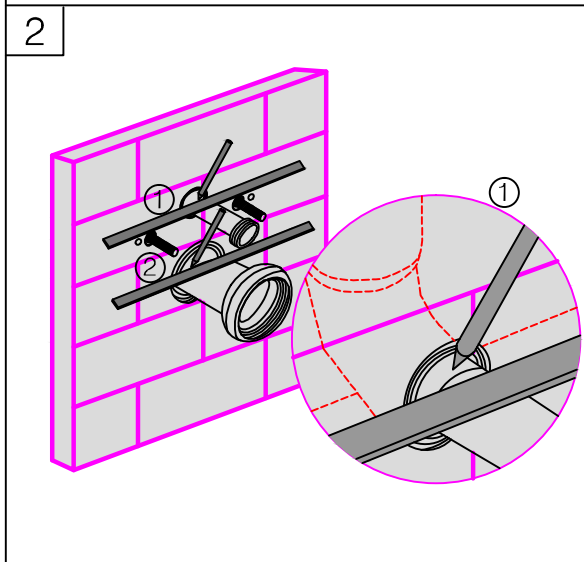
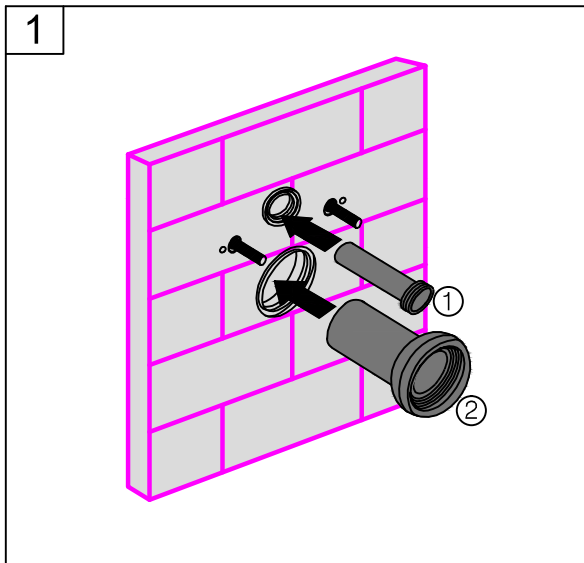
15



16



Installation



Installation

