



INSTALLATION INSTRUCTIONS FOR BATTERY POWERED MIRRORS

Before installing this product pay special attention to these instructions. It is recommended that this product is installed by a qualified electrician to IEE wiring regulations (BS 7671) and current building regulations. These products can safely be fitted into Zone 2. See lighting regulations diagram.

Battery mirrors are powered by 8 AAA battery. On the bottom of mirror is a handle knob to pull out the battery box which stores the batteries. To change or insert battery kindly follow the instructions mentioned in installation steps 4 in following page.

Make sure the mirror is powered off before replacing/inserting batteries.

Don't mix old & new batteries together. This can damage the product.

Cleaning Instructions

In order to maintain the quality finish of this product please do not use any abrasives or solvents when cleaning this product. Use only a damp cloth for cleaning this product. Do not allow water to stand on any part of the mirror. Please clean any spillage that may affect the quality of the finish as described above.

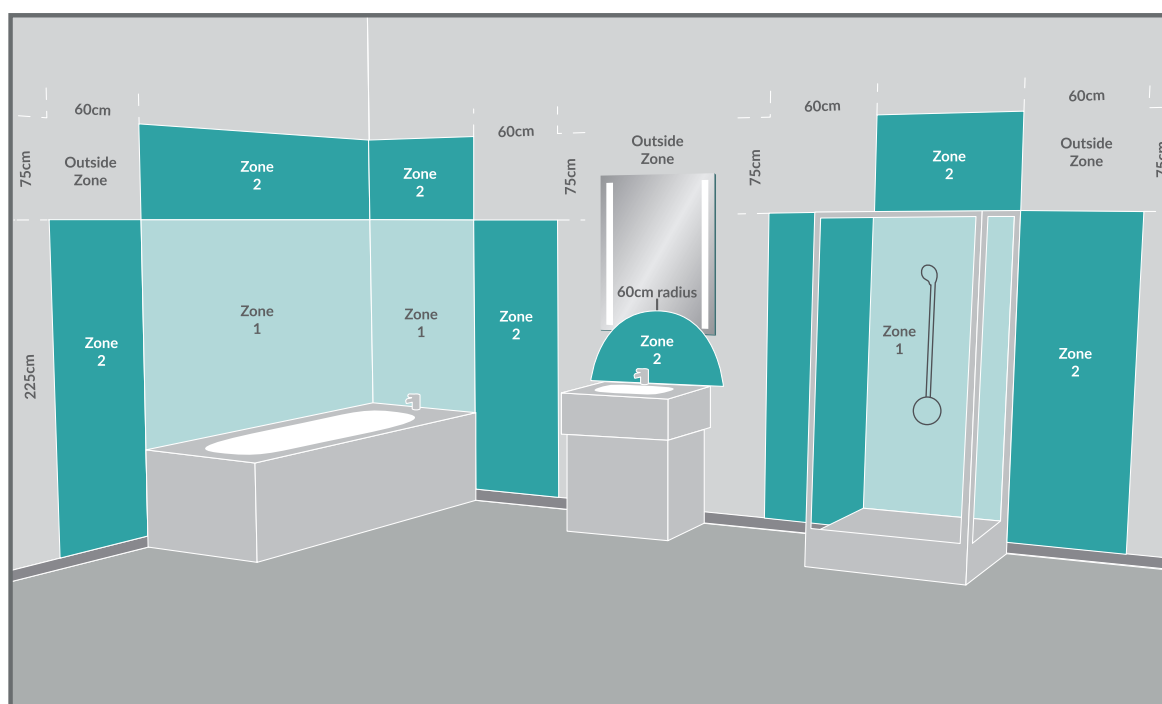
Special Care

Care Should be exercised when cleaning this product. Although its finish is extremely durable, it can be damaged by harsh abrasives and cleaning pads. To clean, use a light, non-abrasive cleaning solution or cleaning polish.

Packing information & installation

Package content:

- **Battery powered**
- **Mirror Screws**
- **Manual**



Attention: Installation and connection to electric wiring must be done by a professional electrician in compliance with local and national requirements for electrical installations.

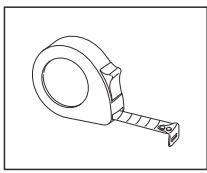
Never modify the construction or add any parts which are not offered as spare parts or accessories by the manufacturer of the luminaire. Any unauthorized modification might result in weak mounting and risk that parts of the luminaire can fall down from the wall.

Hanging the mirror

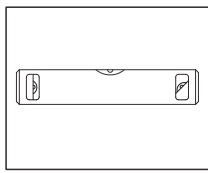
Installation Procedure

To ensure the normal use of this product, it is required you set out wires as per the regulations of IEE at the installation places. This product should be installed on a wall suitable to hold its weight. The installation must be carried out by a professional electrician and wrong installation may lead to product damage and personal injury.

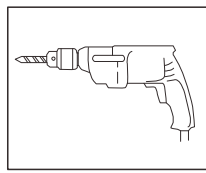
Installation Tools



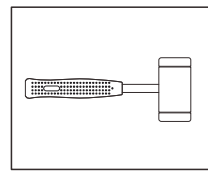
Measuring tape



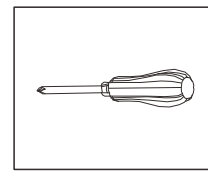
Spirit level



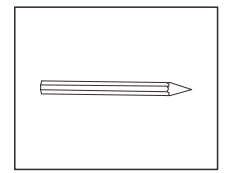
Drill



Hammer

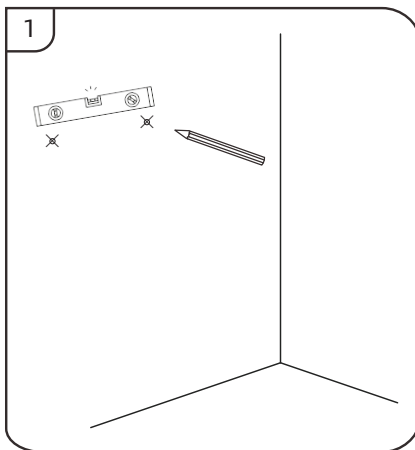


Screwdriver

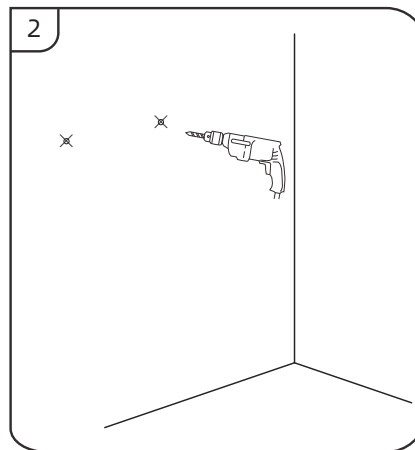


Pencil

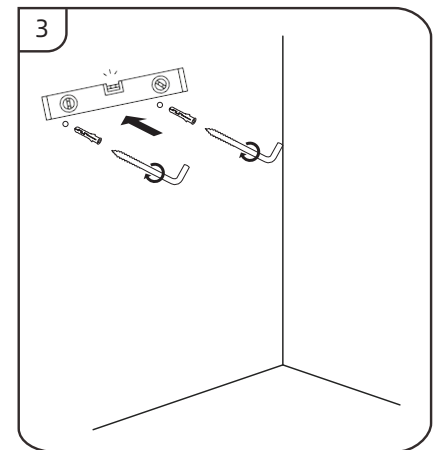
Installation Steps



1. Make certain the wall is solid and suitable to safely accommodate the mirrors overall weight when installed. Measure and mark with a pencil, the position of the fixing bracket, securing screws & plugs, while checking with a spirit level that the bracket is perfectly level.

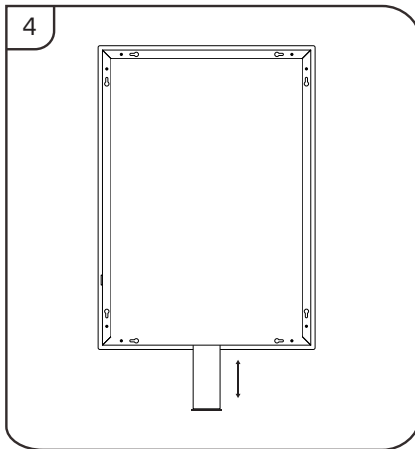


2. Choose a drill with an appropriate drill bit to make the holes at the marked places. (Use a special ceramic drill if the wall surface is made of ceramic tiles).

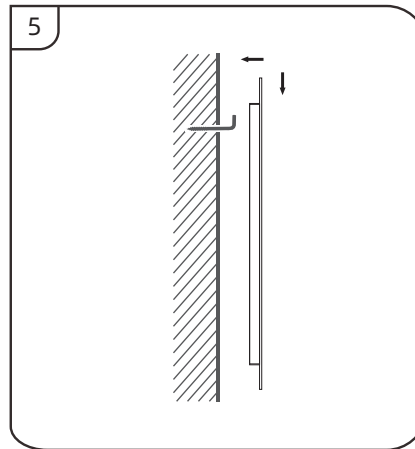


3. Insert Rawl plugs into drilled holes, and then screw the hook into the hole.

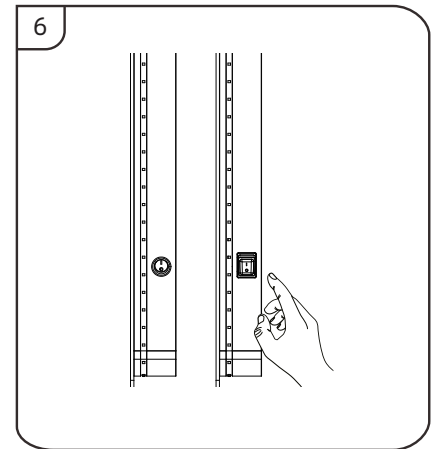
Hanging the mirror



4
Pull out the battery box on the bottom of the mirror and insert 8 AAA batteries. Push the battery box into position once the batteries are inserted.



5
Hang the product on the wall hook.



6
Finally simply press the button to turn the mirror, lights on and off.

Recycling and disposal

Please recycle the packaging in accordance with your local government regulations on waste handling, and follow the same advice at the end of the products life.

For more Information

Visit: victorianplumbing.co.uk