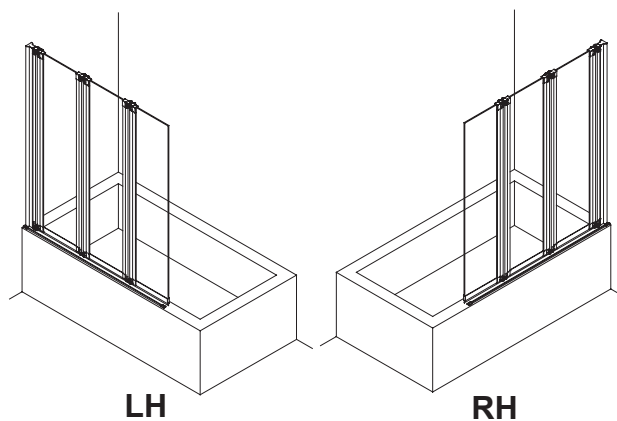


## Three panel bathscreen 118cm x 145cm - BS4

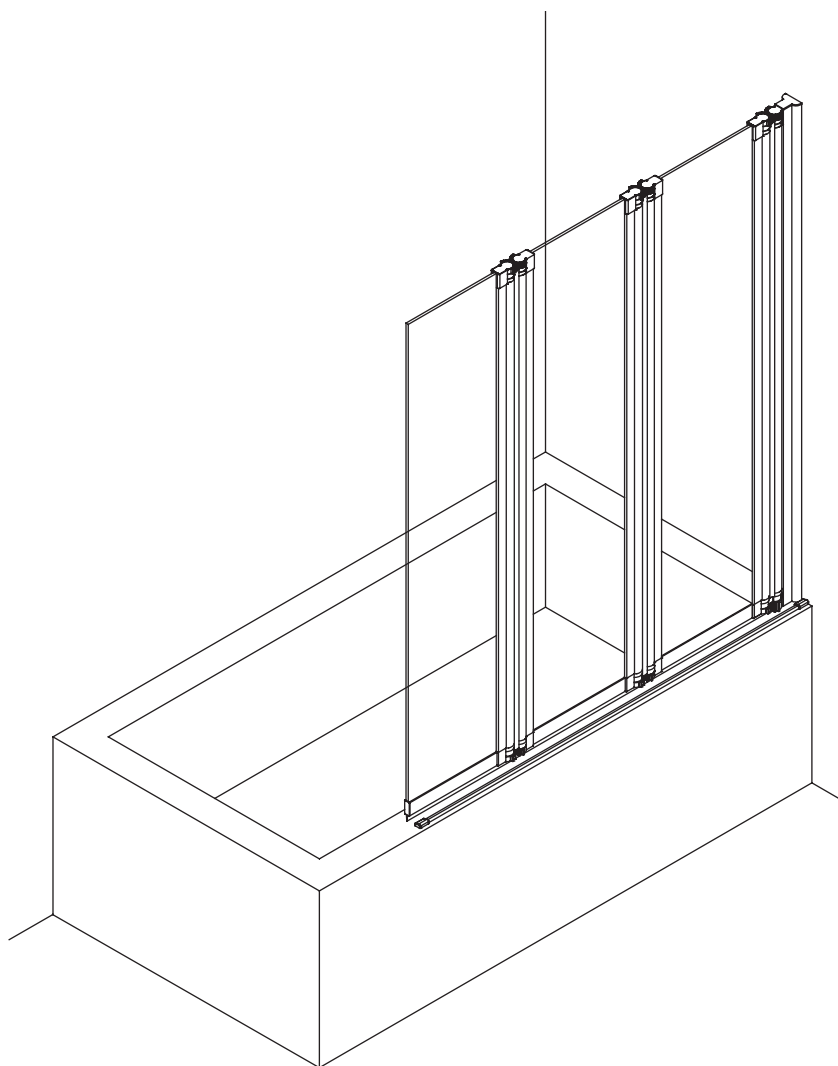


### Before Installation:

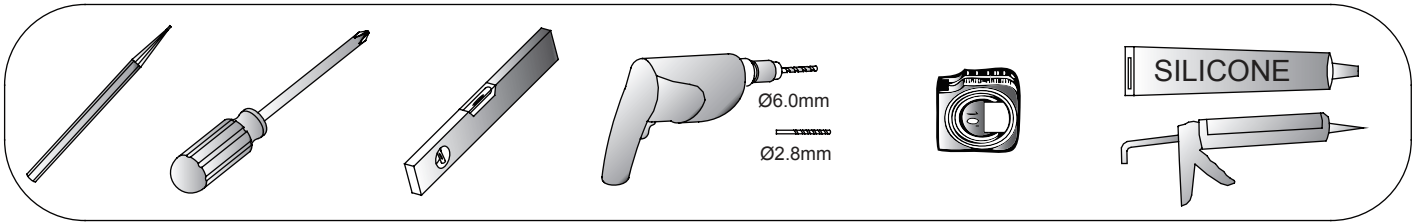
- Check the contents of the pack carefully before installation.
- The bath MUST be installed level and fully sealed to the tiles.
- Handle with care. Impacts can damage both the glass and the frame.
- Check for any hidden pipes or cables before drilling holes in the wall.
- The wall fixings supplied may not be suitable for your installation. You may need to source alternatives depending on the construction of the wall you are fixing to.
- Follow each step in turn.

### Care and Cleaning:

- Do not use solvents or abrasive material or chemicals to clean the enclosure.
- Only clean using soapy water and a soft cloth, rinse thoroughly afterwards.

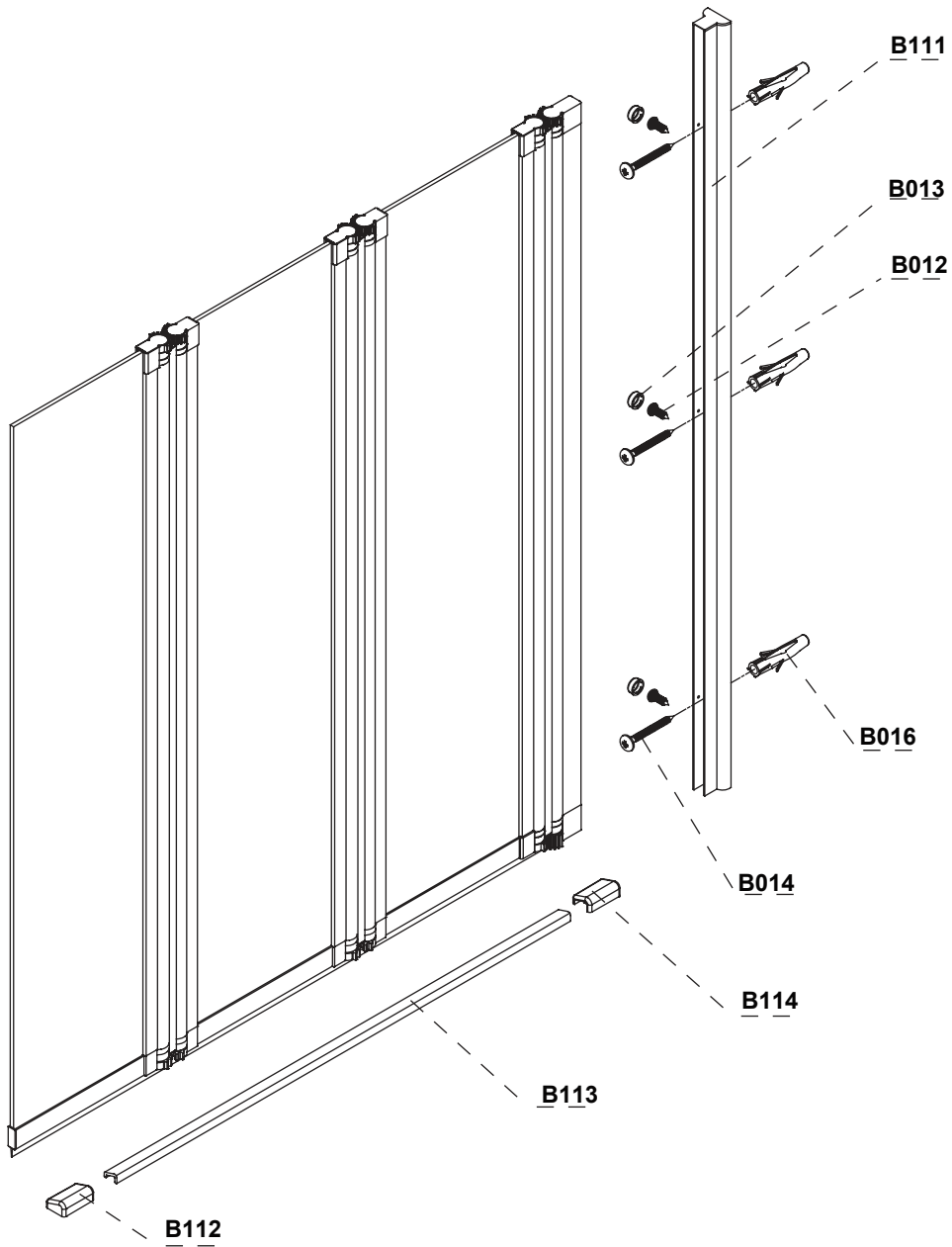






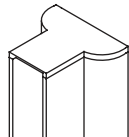
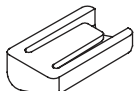
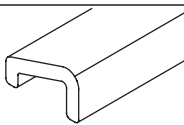
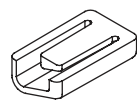
**Tools required:**



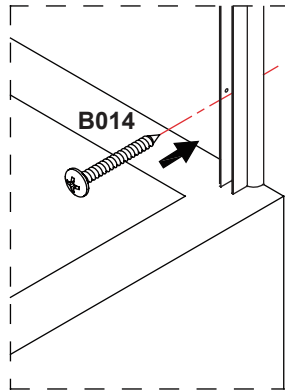
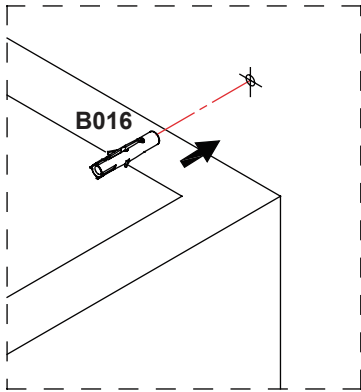
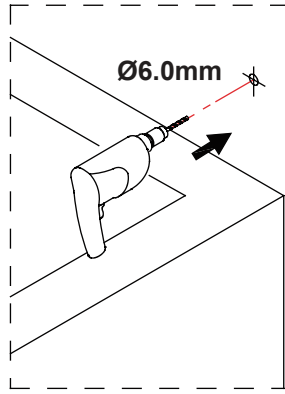
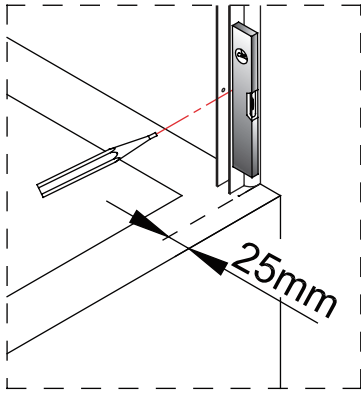
**Parts supplied:**

**Three panel bathscreen 118cm x 145cm - BS4**

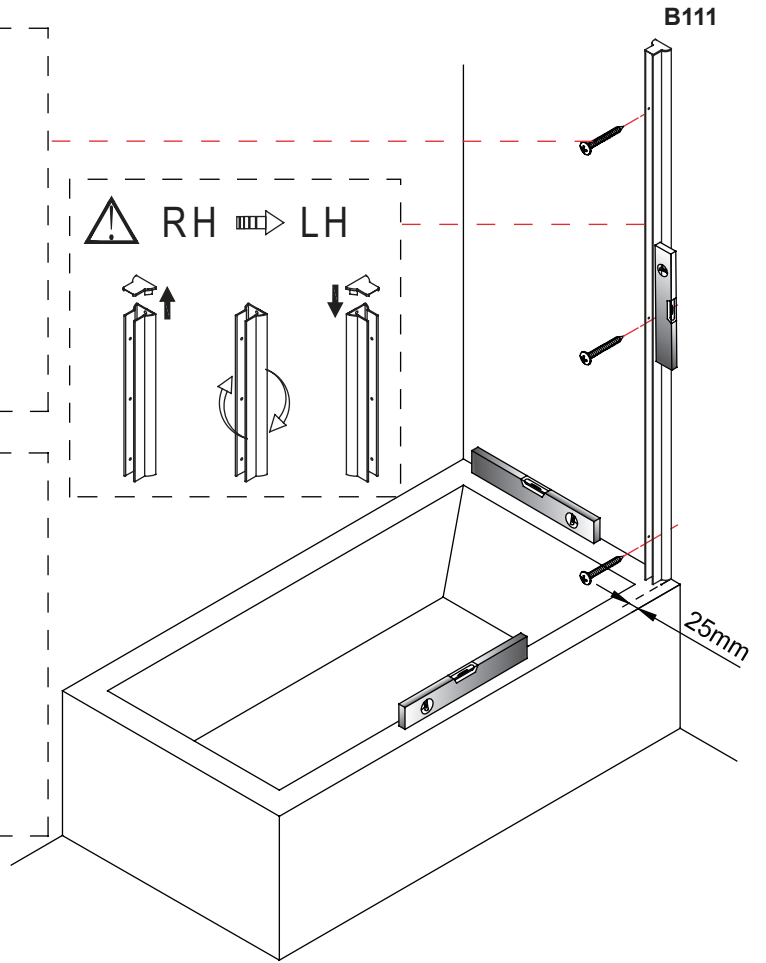
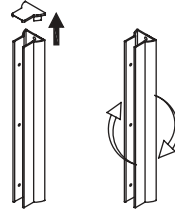


<p><b>B016</b></p>  <p>3x</p>	<p><b>B014</b></p>  <p>3x ST4*40mm</p>	<p><b>B013</b></p>  <p>3x</p>	<p><b>B012</b></p>  <p>3x ST3.5*10mm</p>
<p><b>B111</b></p>  <p>1x</p>	<p><b>B112</b></p>  <p>1x</p>	<p><b>B113</b></p>  <p>1x</p>	<p><b>B114</b></p>  <p>1x</p>

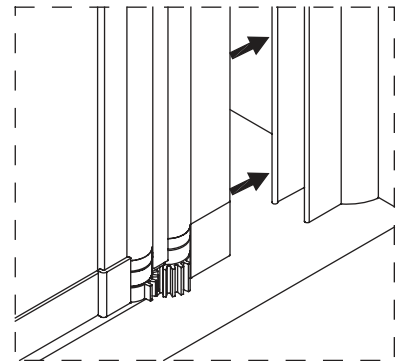
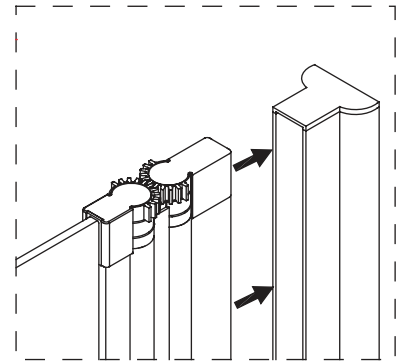
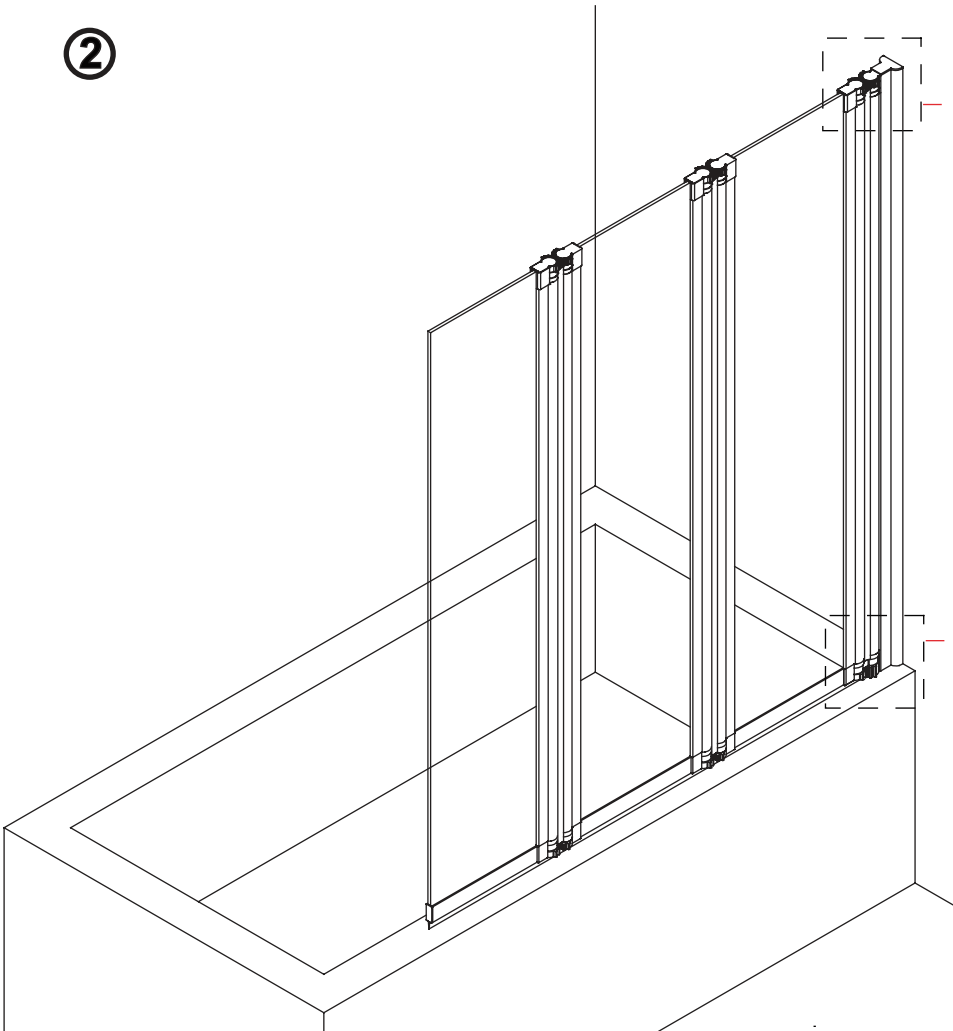
①



⚠ RH → LH



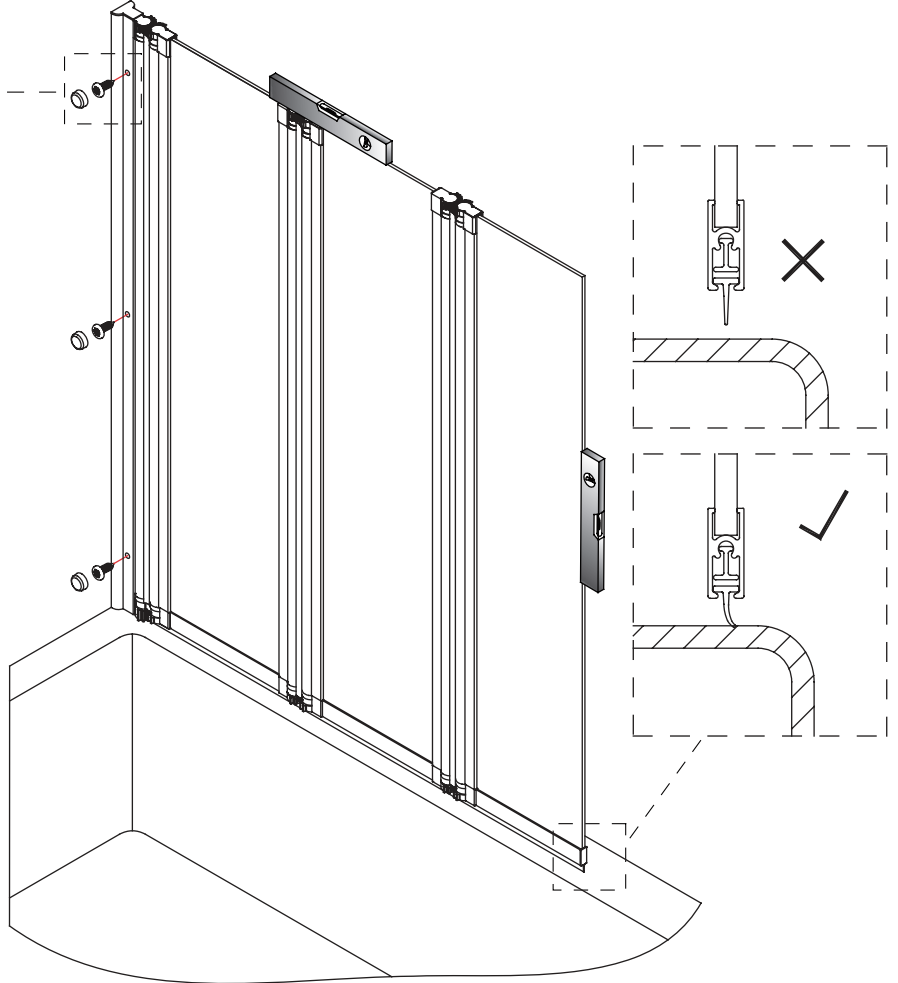
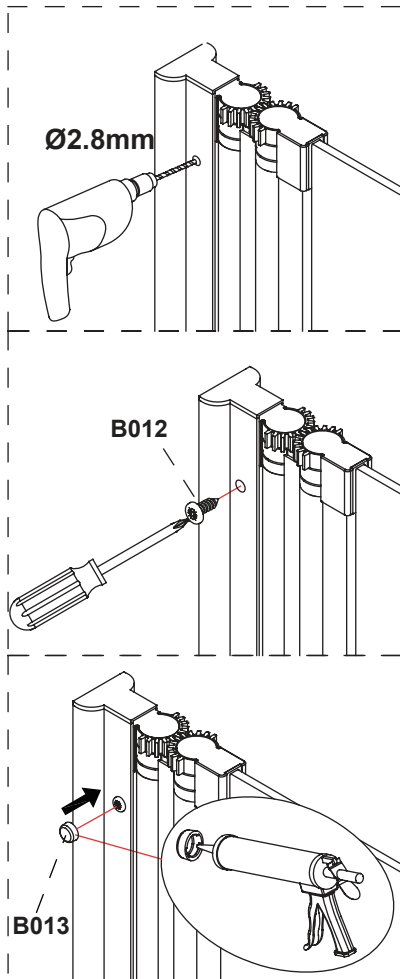
②



3

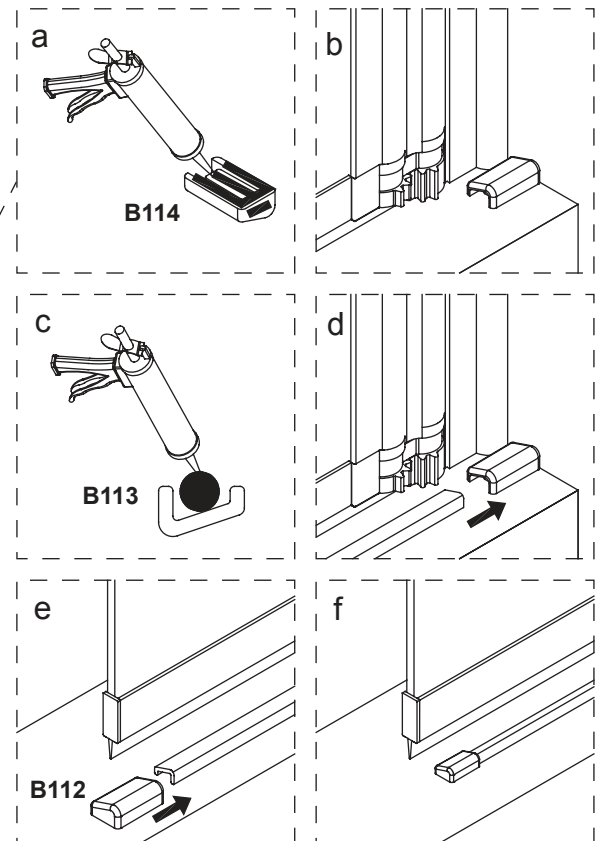
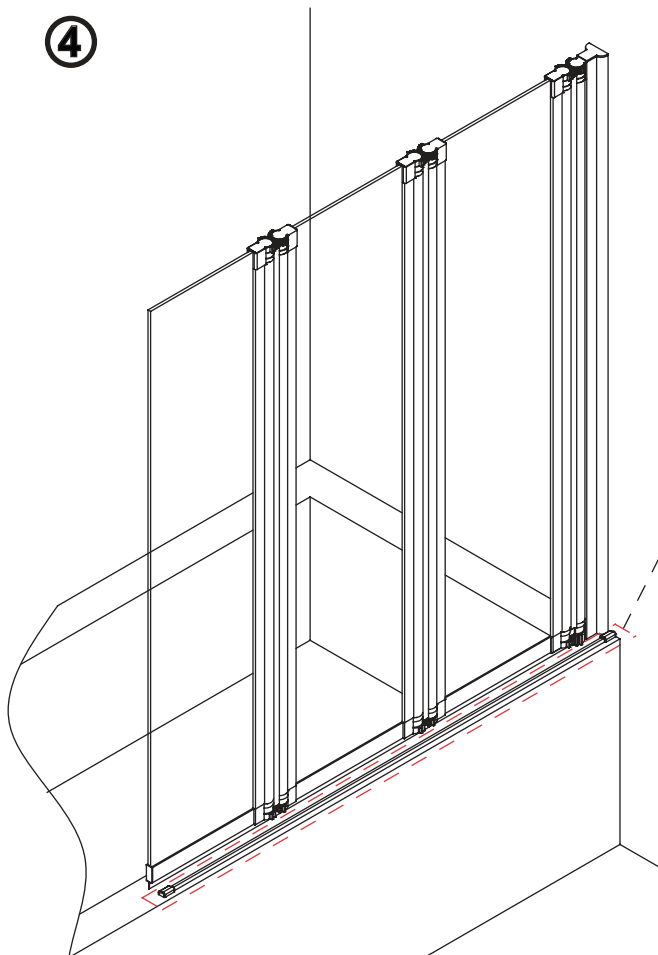


Firmly push the screen profile onto the wall profile, ensure the screen profile is as close to the wall as possible. Before securing the screen to the profile ensure that the gap between the screen and the bath is equal along its whole length.

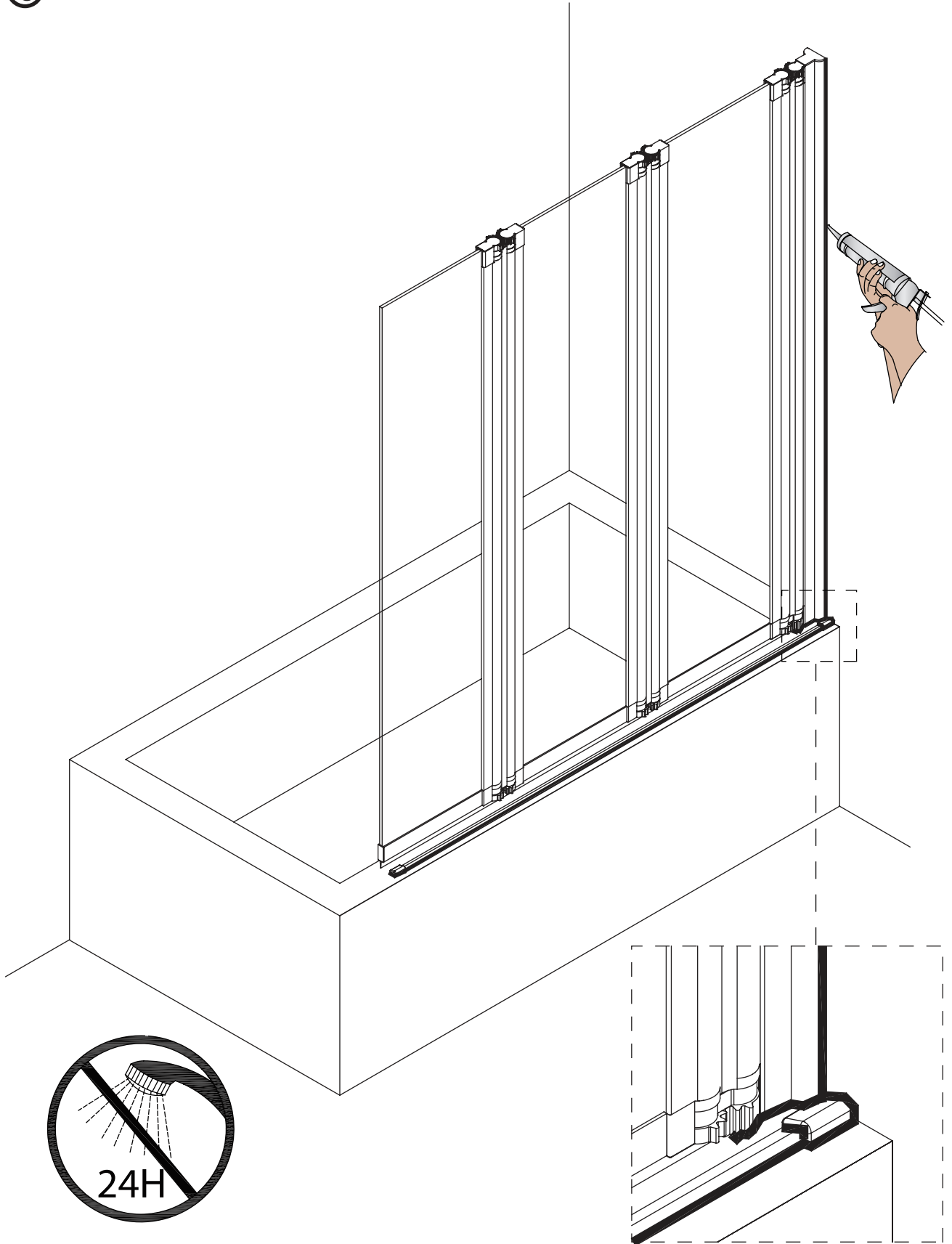


4

Please follow this step if the optional water barrier is desired.



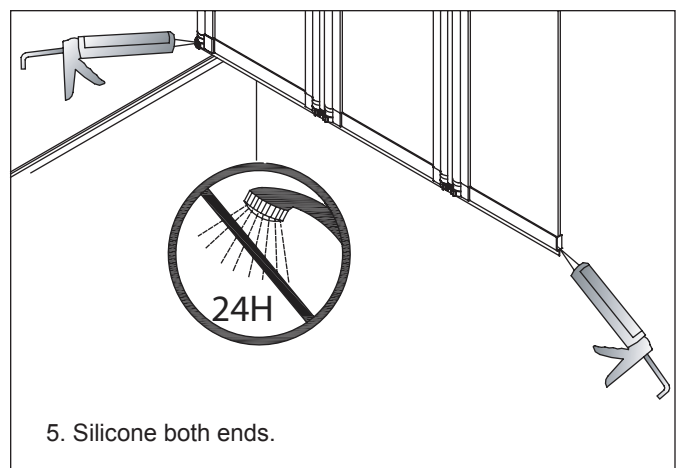
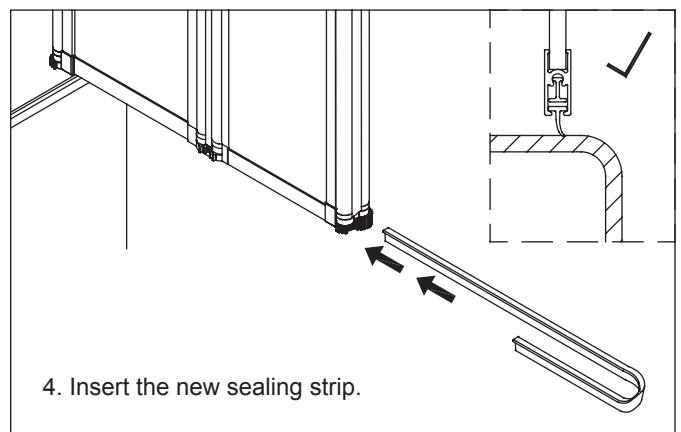
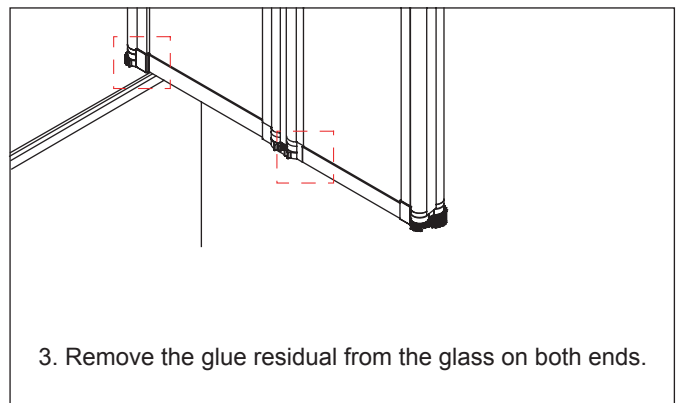
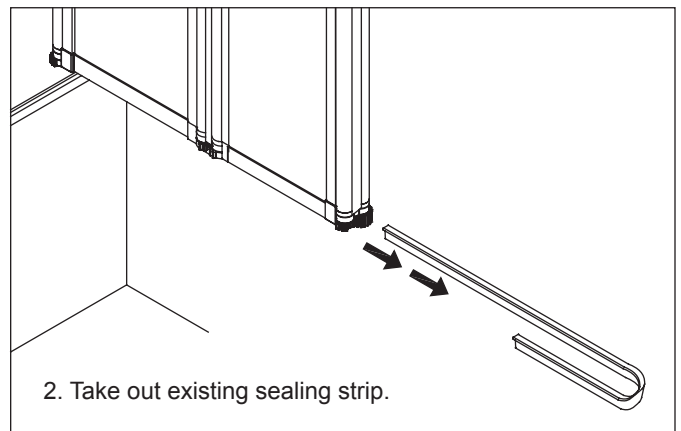
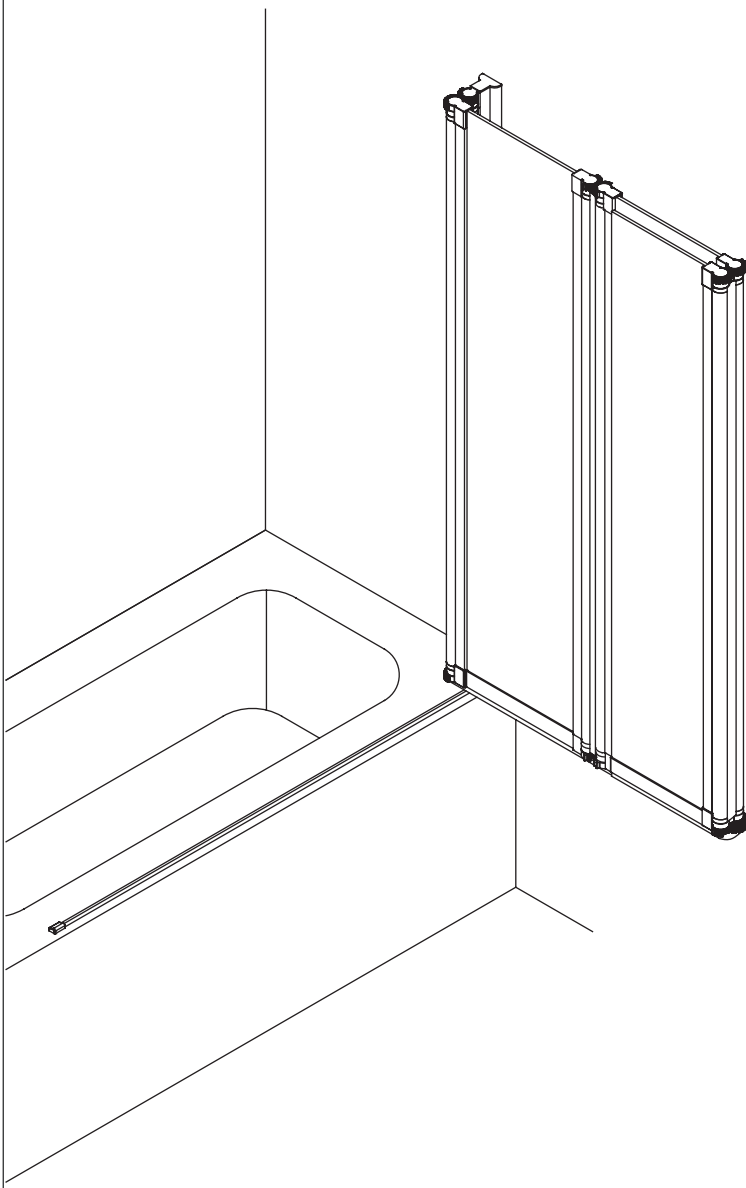
⑤



# Maintenance

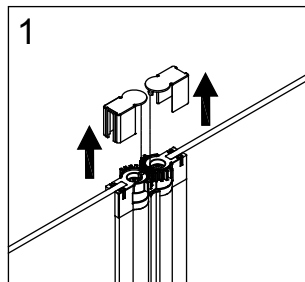
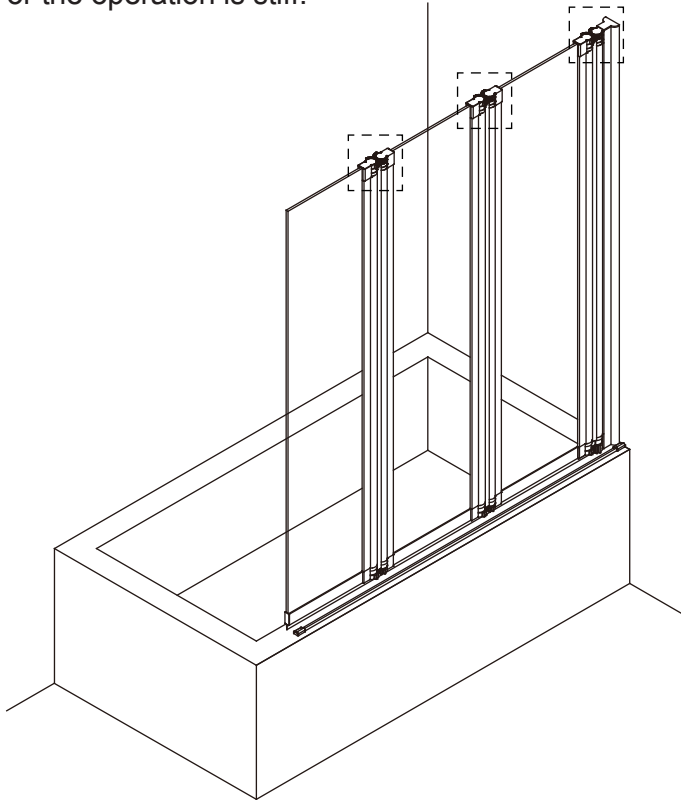
If necessary, please follow the below steps to replace the bottom sealing strip.

1. Fold the third glass as show below.

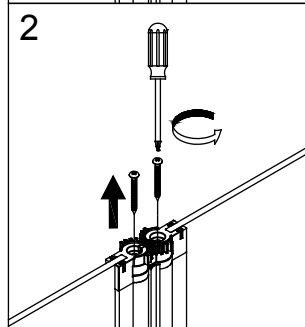


# Maintenance

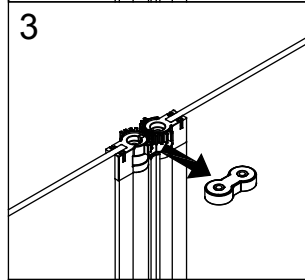
If necessary, please follow the below steps to adjust the sealing strip if it does not stay in position properly or the operation is stiff.



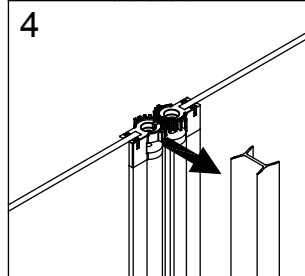
1. Take off the covers.



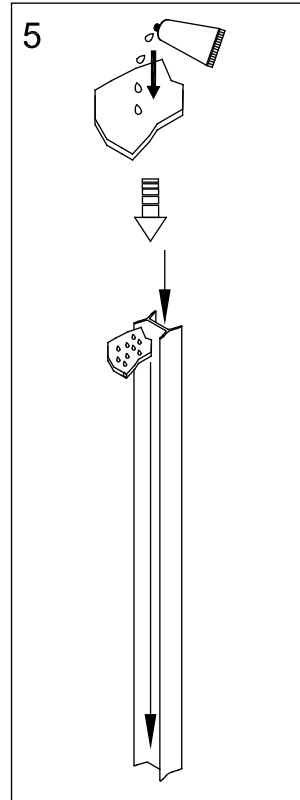
2. Loosen the screws.



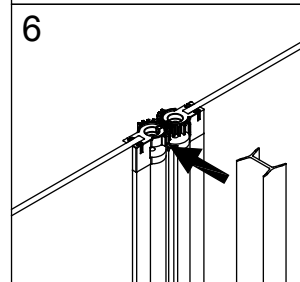
3. Disassemble the hinge.



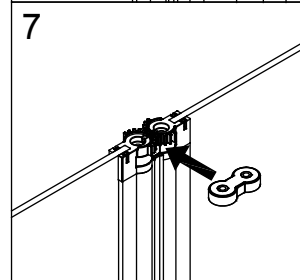
4. Take out the sealing strip.



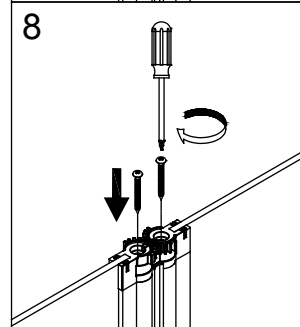
5. Apply some transparent lubricating oil onto the surface of sealing strip evenly with the sponge or soft cloth.



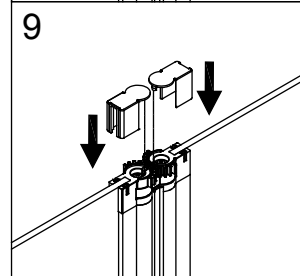
6. Install the sealing strip back to the frame. The sealing strip should be straight and even from the top to the bottom.



7. Install the hinge.



8. Tighten the screws.



9. Put back the covers onto the frames.