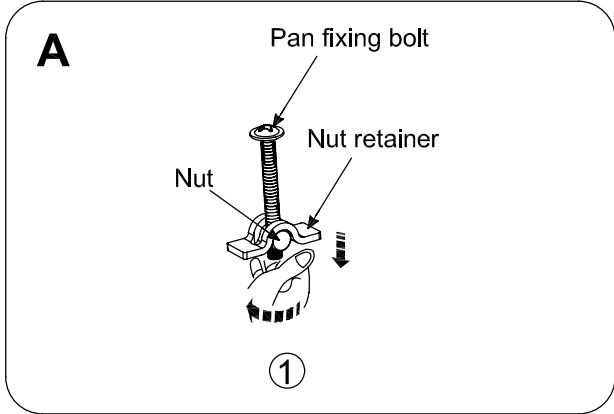
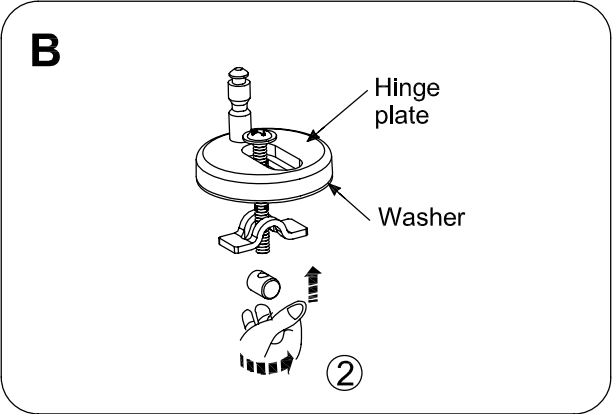


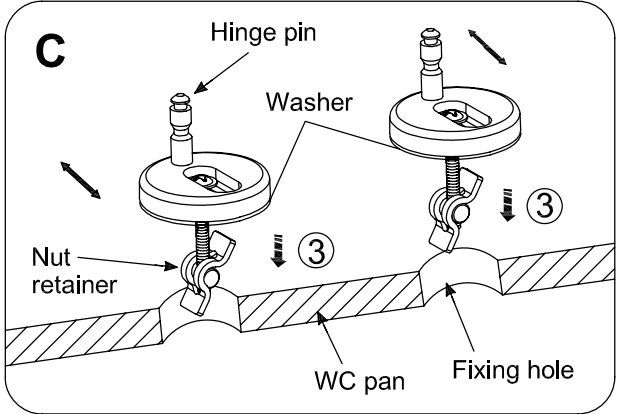
**Tools Required:** 



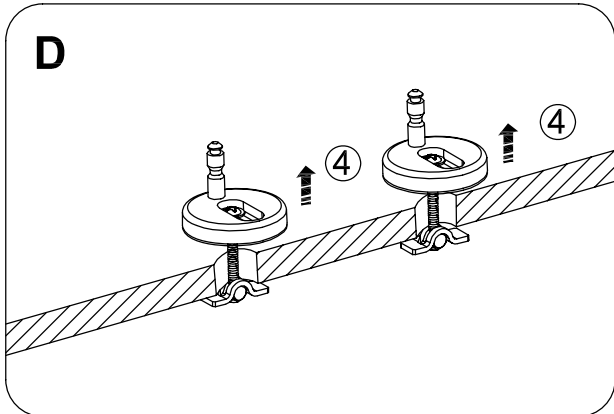
① Unscrew the nut from the pan fixing bolt. Remove the nut retainer from the pan fixing bolt.



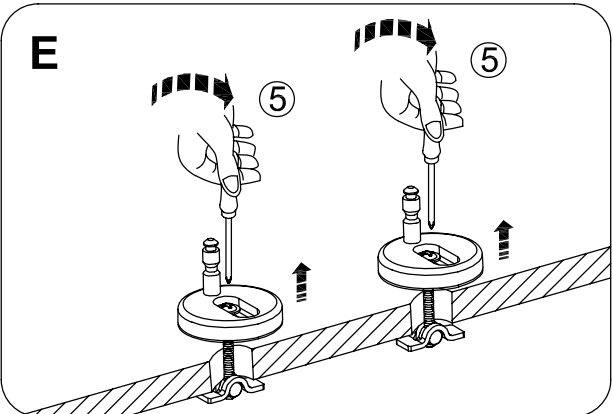
② Insert the pan fixing bolt through the hinge plate and the washer. Add the nut retainer to the pan fixing bolt. Screw on the nut to the pan fixing bolt.



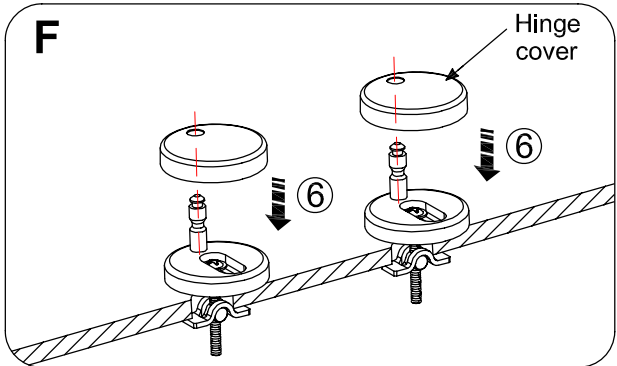
③ Flip the nut retainer into a vertical position and insert through the pan fixing hole as shown in Figure C 3.



④ When inserted, gently shake the pan fixing bolt so that the nut retainer turns to a horizontal position. Once the nut retainer is horizontal, raise the hinge plate and pan fixing bolt so that the nut retainer is firmly held in position by the underside of the ceramic pan- as shown in Figure D 4.

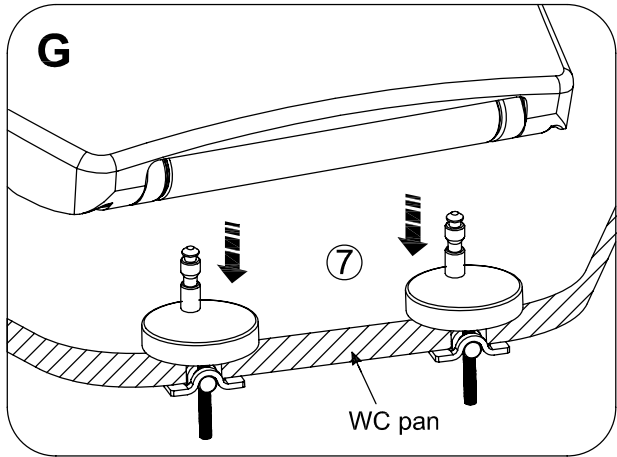


⑤ Whilst holding the hinge plate and clamping the nut retainer to the pan, tighten the pan fixing bolt using a screw driver - as shown in Figure E 5. As the pan fixing bolt tightens the hinge plate will lower until fitting tightly to the pan.



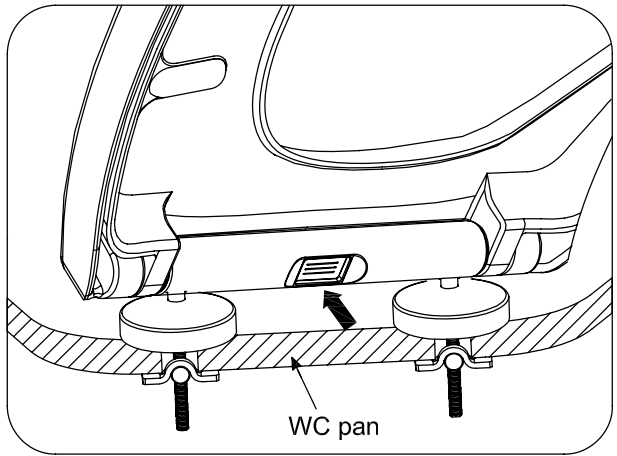
⑥ Gently tighten the pan fixing bolt, then fix the seat on to the hinge pins and check if the adjustment of the hinge plate is correct. If the wc seat fits correctly remove the seat and do a final firm fix of the pan fixing bolts to prevent the seat moving or working loose.

Cover the hinge plate with the hinge covers as shown in Figure F 6.



⑦ Attach the WC seat onto the hinge pins as shown in Figure G 7.

**AFTER CARE**



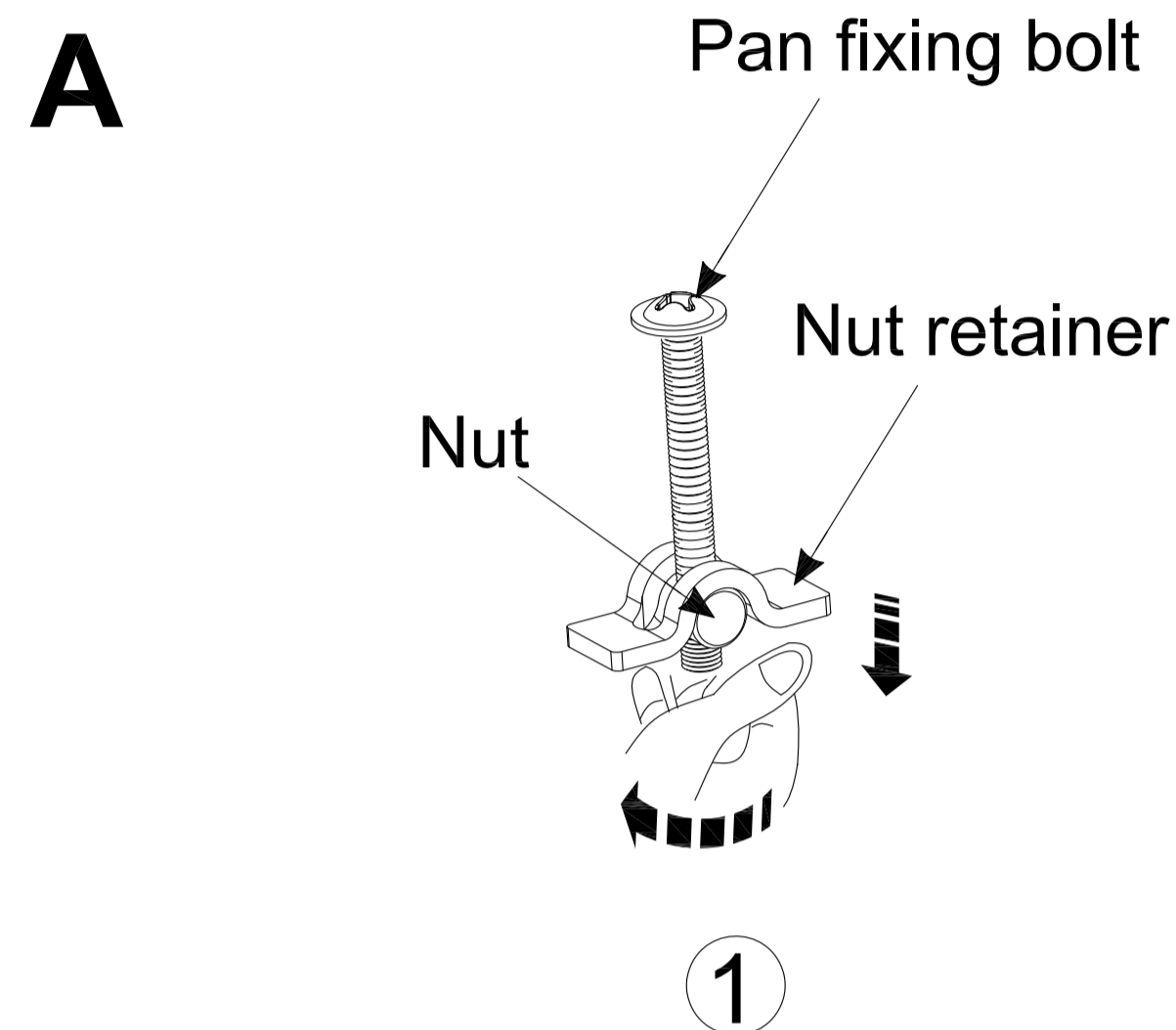
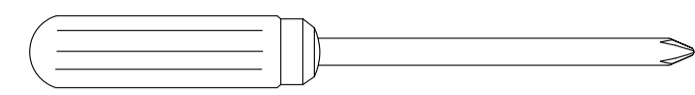
**Easy Clean - Quick Release**

The WC seat can be easily and quickly removed by opening the seat and pressing the button located on the seat hinge. Press the button in, and lift the seat off - see Figure above. After cleaning re-attach the seat by inserting the hinge pins into the hinge pin holes at the back of the seat. Gently press the seat down and it will click back into place.

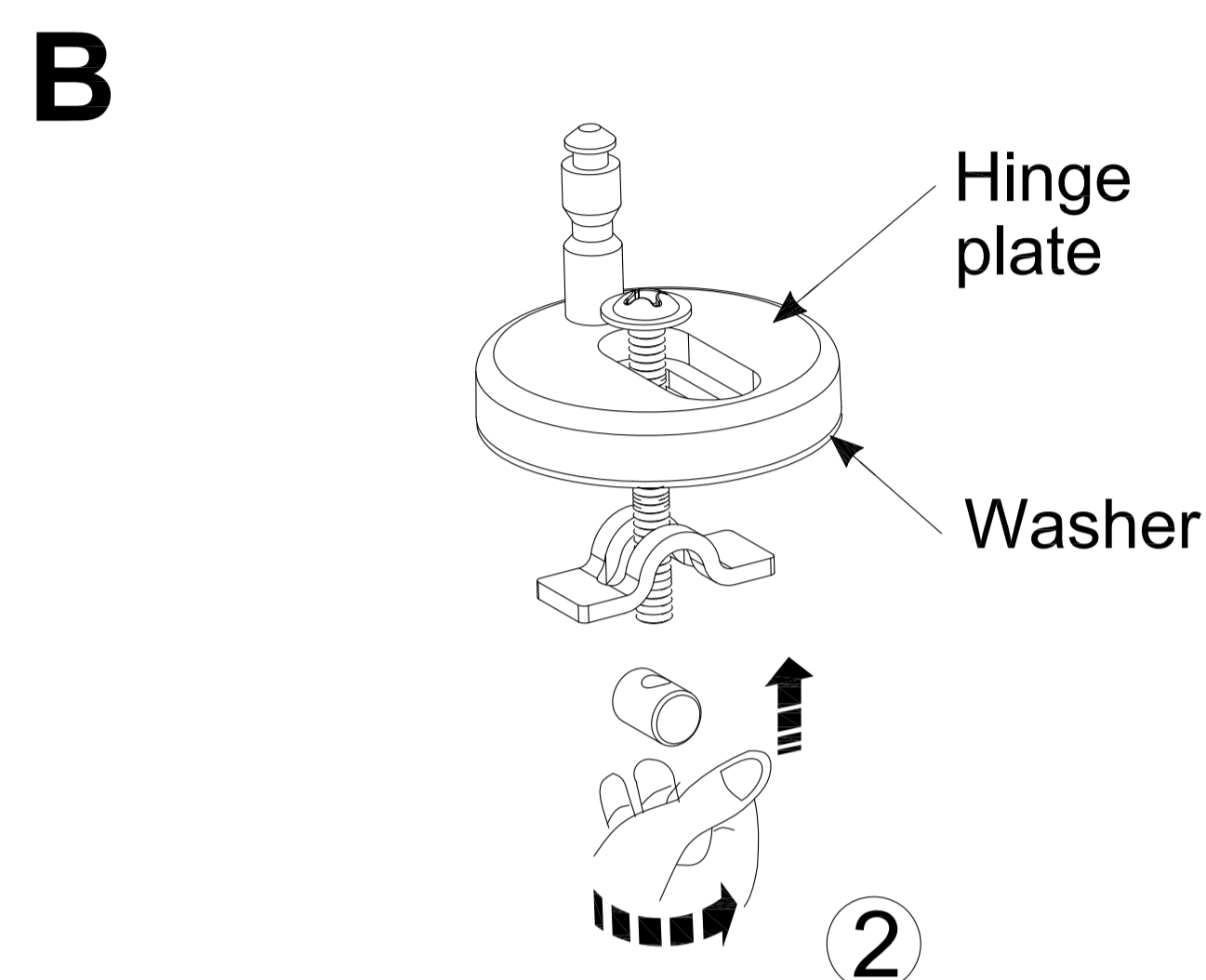
**Cleaning**

Only use water and a mild detergent or soap to clean the seat. Never use scouring agents, abrasive surfaces, bleaching or acidic agents on the seat or the hinges. The seat has been designed for normal domestic use (not commercial use). The seat may malfunction if excessive weight is placed on it - don't stand on the seat.

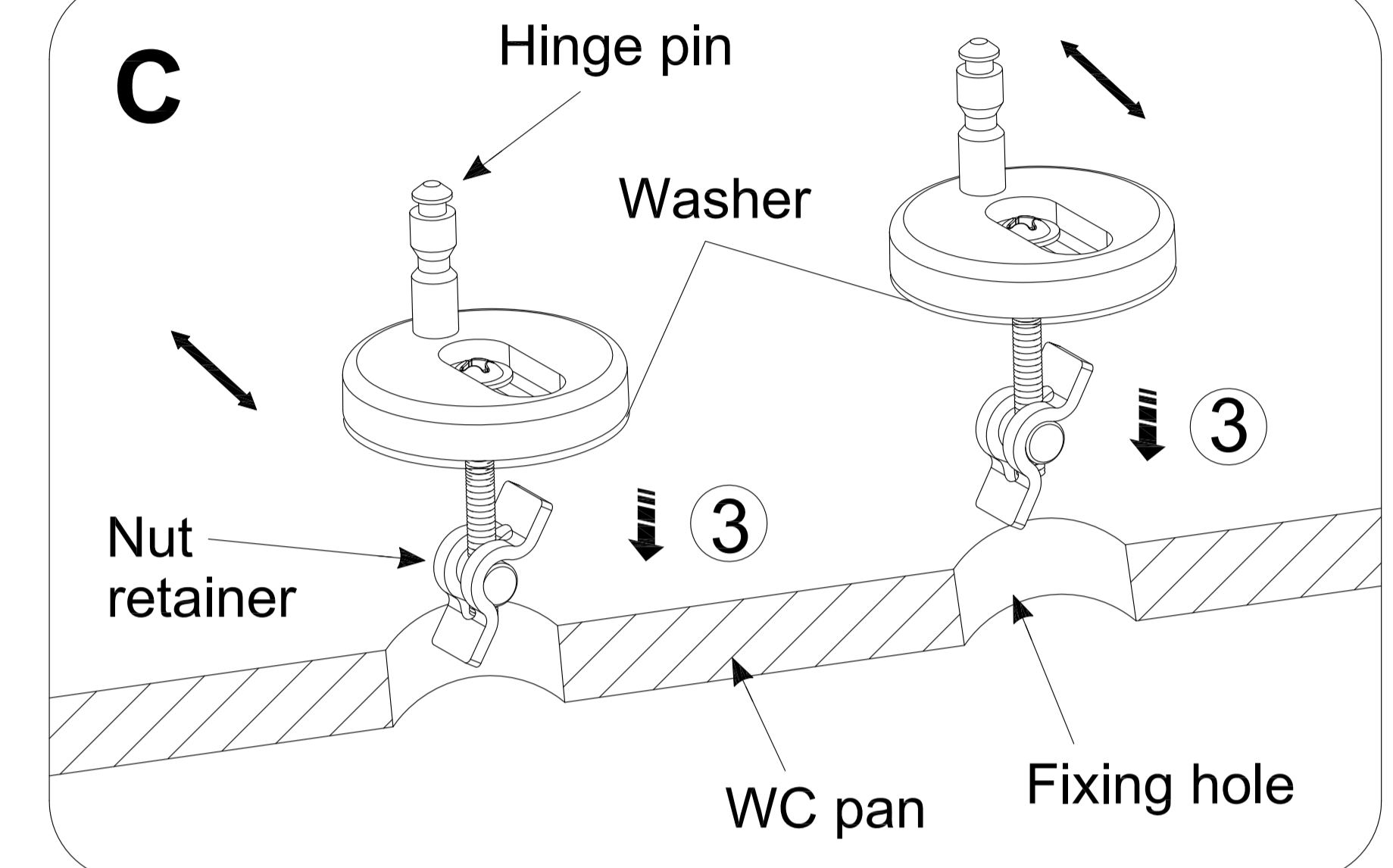
**Tools Required:**



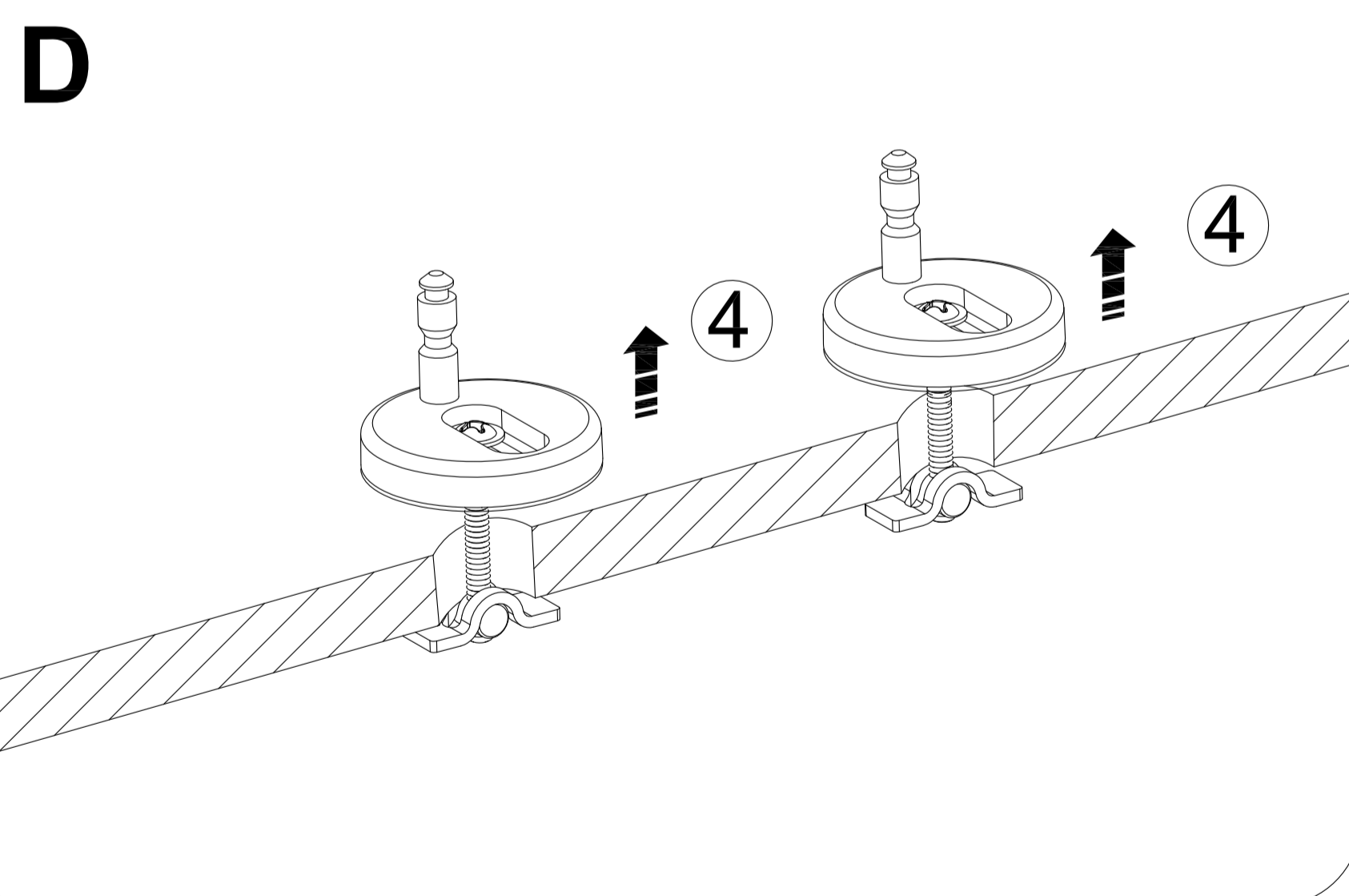
- ① Unscrew the nut from the pan fixing bolt. Remove the nut retainer from the pan fixing bolt.



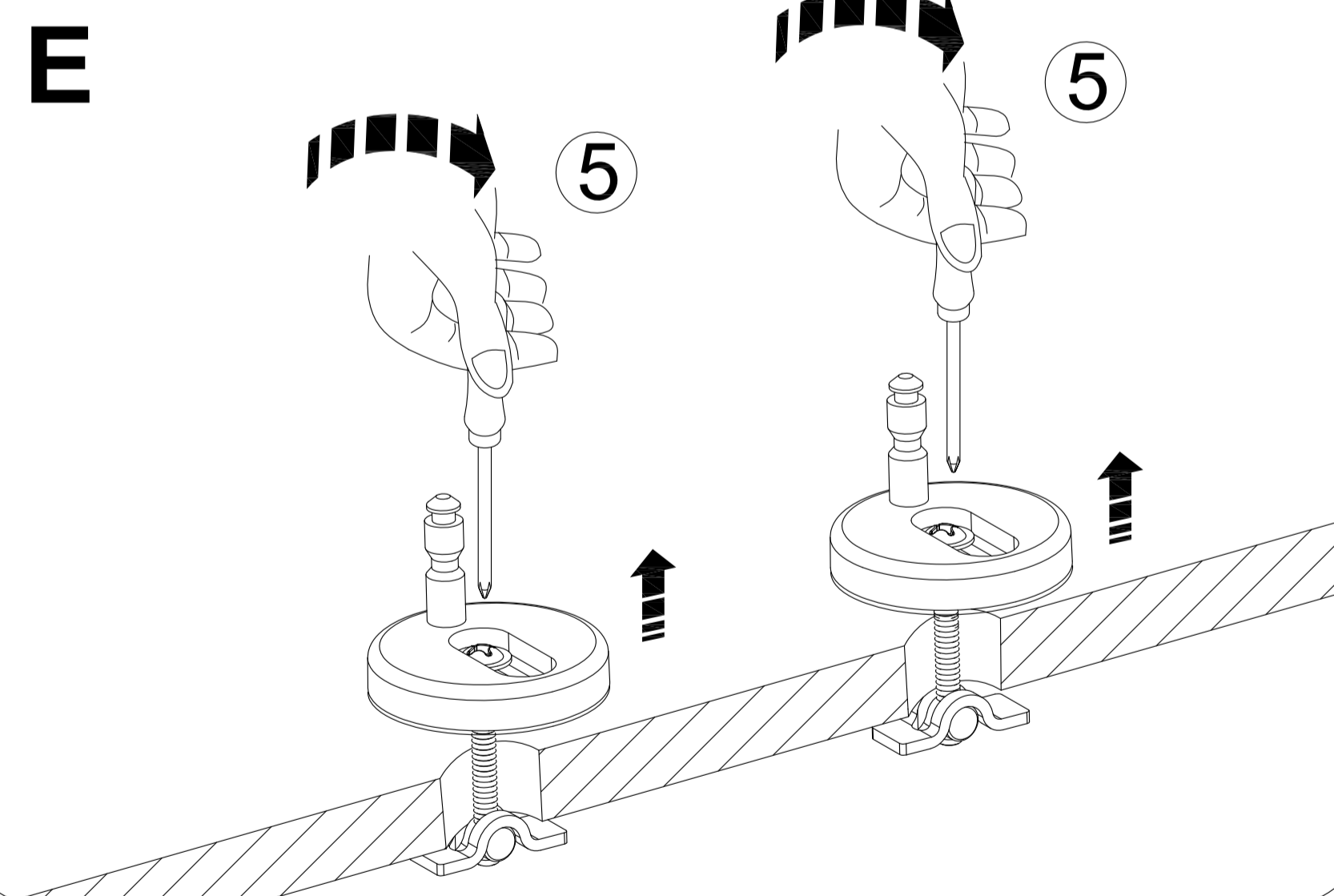
- ② Insert the pan fixing bolt through the hinge plate and the washer. Add the nut retainer to the pan fixing bolt. Screw on the nut to the pan fixing bolt.



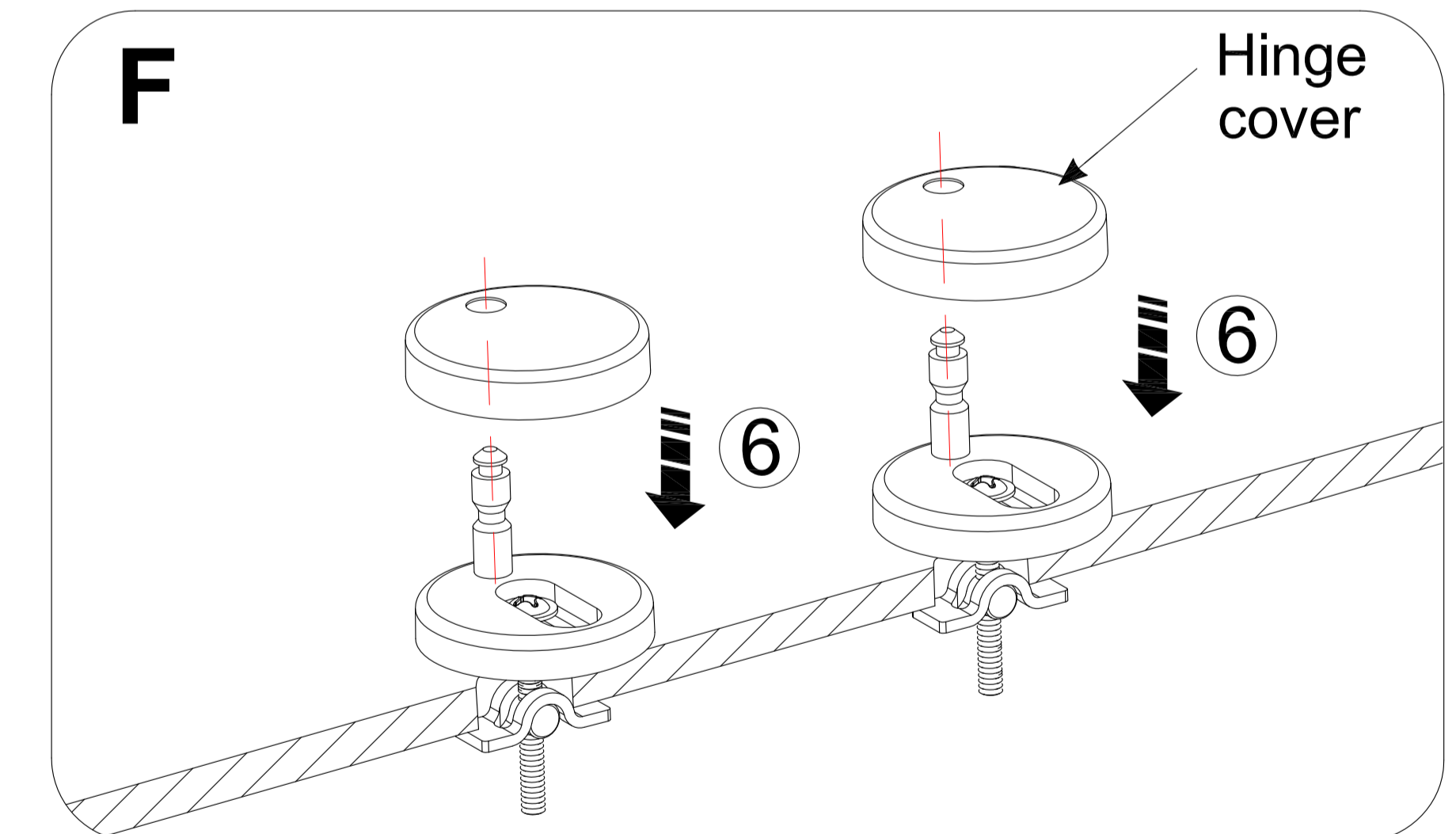
- ③ Flip the nut retainer into a vertical position and insert through the pan fixing hole as shown in Figure C 3.



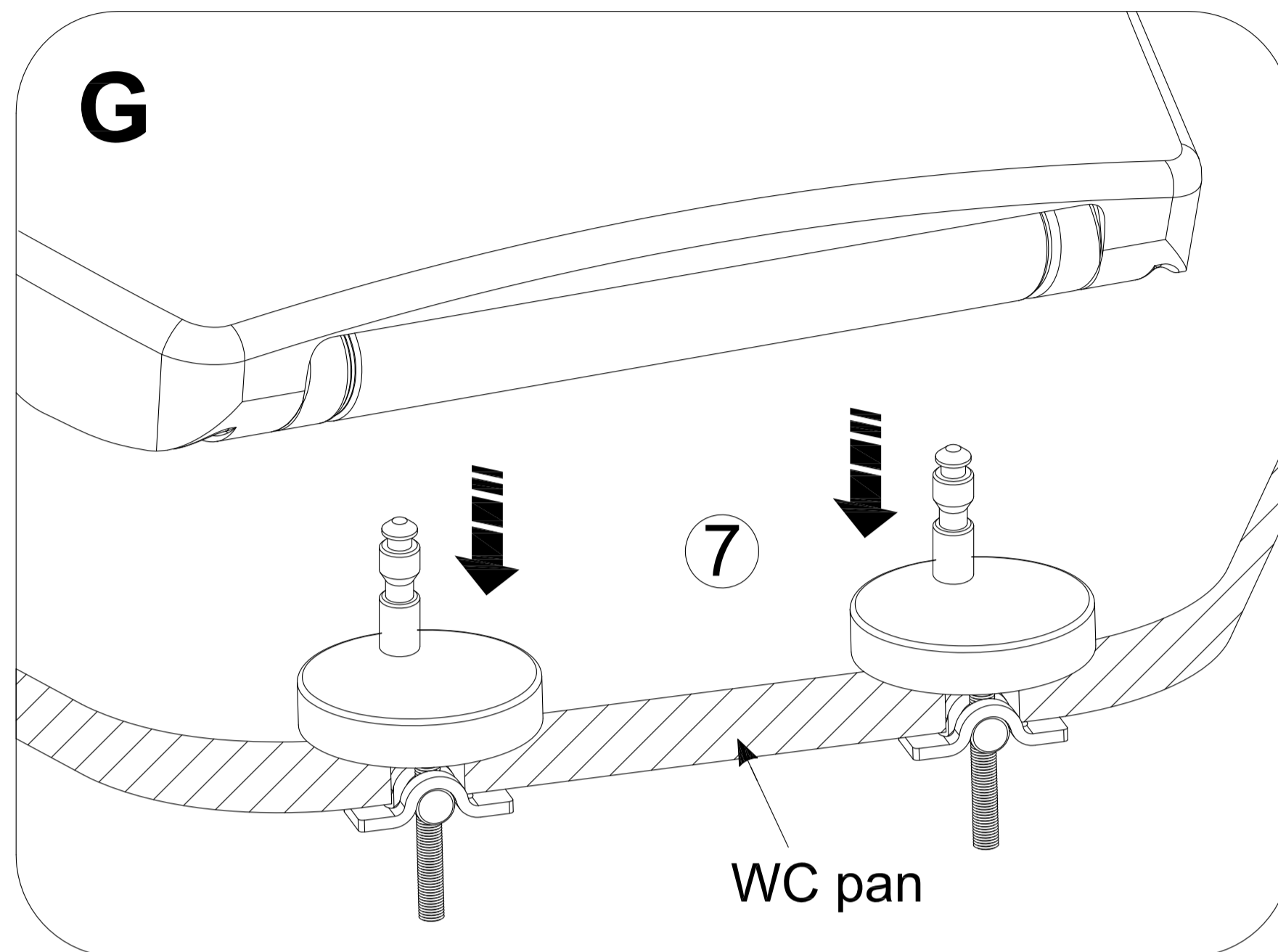
- ④ When inserted, gently shake the pan fixing bolt so that the nut retainer turns to a horizontal position. Once the nut retainer is horizontal, raise the hinge plate and pan fixing bolt so that the nut retainer is firmly held in position by the underside of the ceramic pan- as shown in Figure D 4.



- ⑤ Whilst holding the hinge plate and clamping the nut retainer to the pan, tighten the pan fixing bolt using a screw driver - as shown in Figure E 5. As the pan fixing bolt tightens the hinge plate will lower until fitting tightly to the pan.

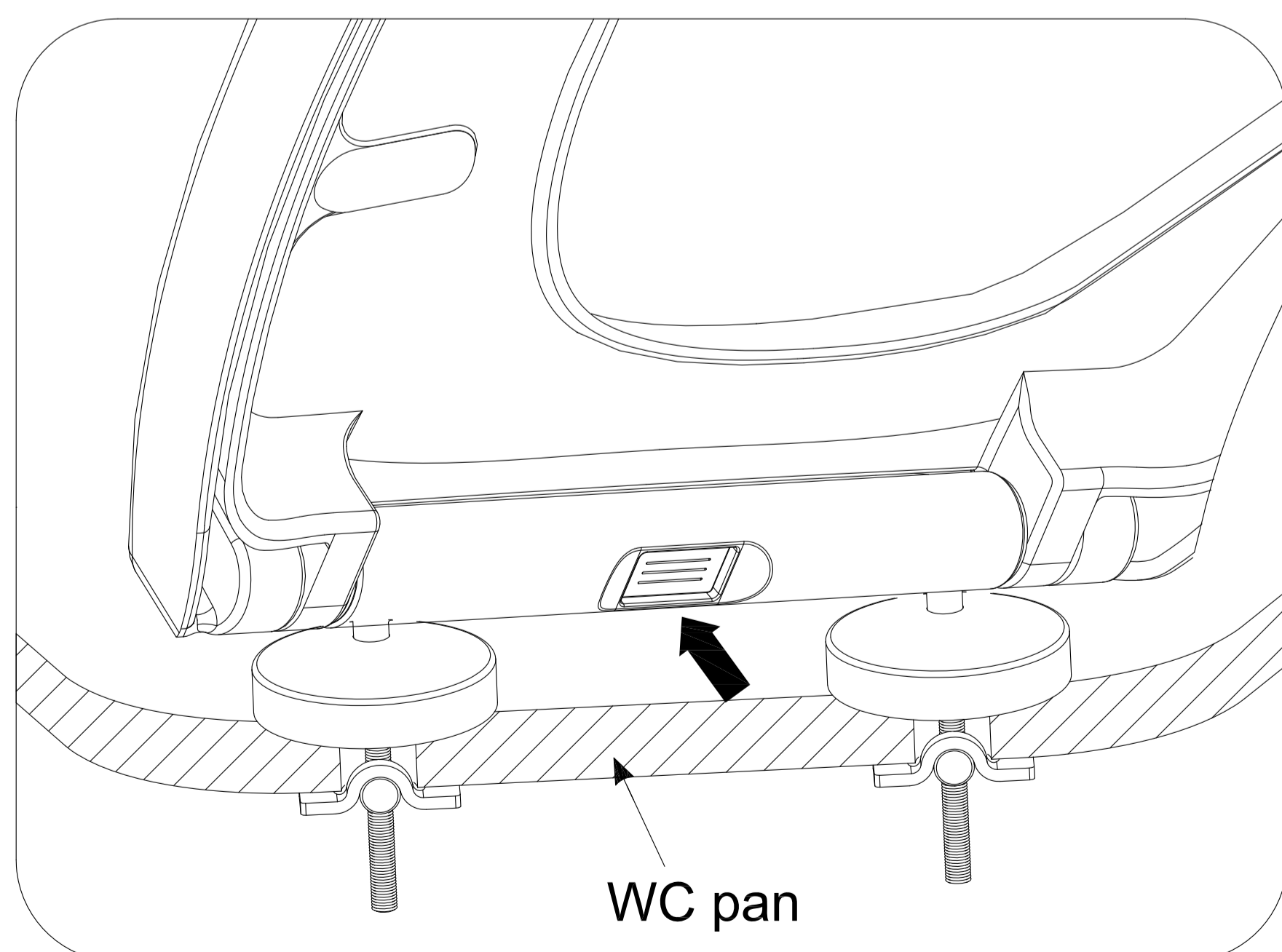


- ⑥ Gently tighten the pan fixing bolt, then fix the seat on to the hinge pins and check if the adjustment of the hinge plate is correct. If the wc seat fits correctly remove the seat and do a final firm fix of the pan fixing bolts to prevent the seat moving or working loose. Cover the hinge plate with the hinge covers as shown in Figure F 6.



- ⑦ Attach the WC seat onto the hinge pins as shown in Figure G 7.

## AFTER CARE



### **Easy Clean - Quick Release**

The WC seat can be easily and quickly removed by opening the seat and pressing the button located on the seat hinge. Press the button in, and lift the seat off - see Figure above.

After cleaning re-attach the seat by inserting the hinge pins into the hinge pin holes at the back of the seat. Gently press the seat down and it will click back into place.

### **Cleaning**

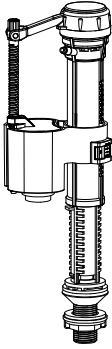
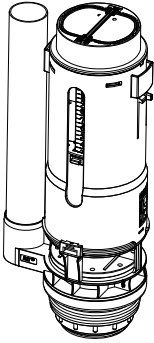
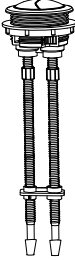

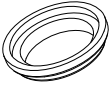
Only use water and a mild detergent or soap to clean the seat. Never use scouring agents, abrasive surfaces, bleaching or acidic agents on the seat or the hinges.

The seat has been designed for normal domestic use (not commercial use).

The seat may malfunction if excessive weight is placed on it - don't stand on the seat.

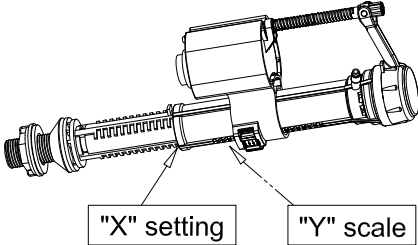
# Installation Instruction for Dual Flush Cistern Fittings

**Parts Supplied:**

Inlet Valve	Flush Valve	Button	Bolt	Flush Cone
				
1x	1x	1x	2x	1x

- Please read these instructions carefully to avoid damage to the valves, and to ensure correct installation.
- Do not use bleach or bleach based cleaning products in the cistern, as these will cause damage to the seals. We cannot be held responsible or liable for any failure which results from the use of bleach based products.
- Water temperature range +2C to +45C.
- Water pressure 0.2 to 8 bar.

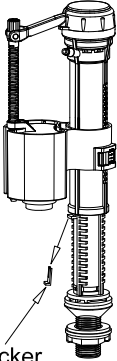
**1: Inlet Valve scale and adjustment settings**



**Note:**  
The Inlet Valve should be adjusted for the particular cistern into which it is being installed.  
Please refer to the **Adjustment Instruction** that are included within the ceramic cistern tank for the X, Y setting values.  
The diagrams below show the detailed adjustment method.

**A: Major water level adjustment**

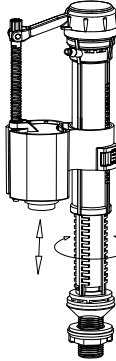
①



Locker

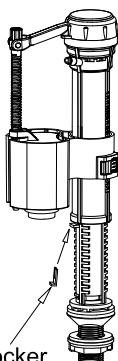
Take off locker

②



Loosen the inlet body by turning slightly anti-clockwise, Adjust it up or down to correct position and tighten clockwise.

③

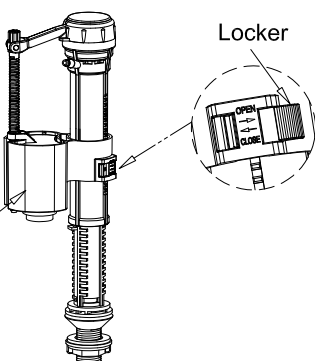


Locker

Re-Insert the locker

**B: Minor water level adjustment**

①



Locker

Stop Float

Slide the locker to "unlock" position, Move the stop float up/down.

②

Adjustment Rod

Stop Float

To decrease the water level use a screw driver to adjust the level of the Stop Float ( as shown ). The float should be lowered

Adjustment Rod

Stop Float

To increase the water level use a screw driver to adjust the level of the Stop Float ( as shown ). The float should be raised.

NOTE:

Float cup

Stop Float

Ensure the top surface of Stop Float is in line with the top surface of the Float Cup.

③

Locker

Slide the locker to the "locked" position

## 2: Inlet Valve installation

Cistern

Inlet Valve

Rubber Washer

Plastic Washer

Nut

Tighten the nut

## 3: Filter cleaning (Please clean periodically)

①

Pull out the filter from the Inlet valve.

②

Clean by rinsing the filter.

Filter

③

Insert the filter back into the Inlet valve.

## 4: Inlet Valve trouble shooting

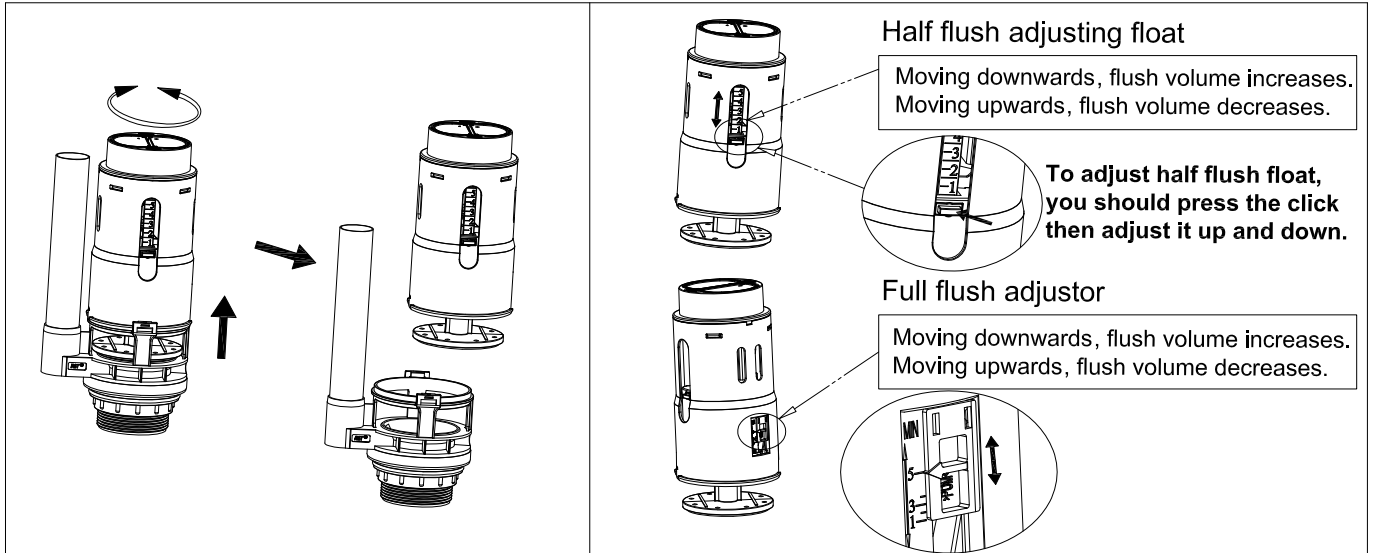
Problem	Reason	Solution
Incorrect water level	Incorrect adjustment.	Adjust the Water level correctly as per page 1 & 2.
Inlet Valve does not work	Water supply is closed.	Open the water supply.
	The filter is blocked.	Clean the filter.
Leakage	The Stop Float has been over adjusted beyond its operational range.	Reconnect the Adjustment Rod, and adjust the water level as per B on page 1 & 2.
	The Inlet Valve fixing nut has not been tightened.	Tighten the nut.

# Flush Valve Installation And Problem Solving

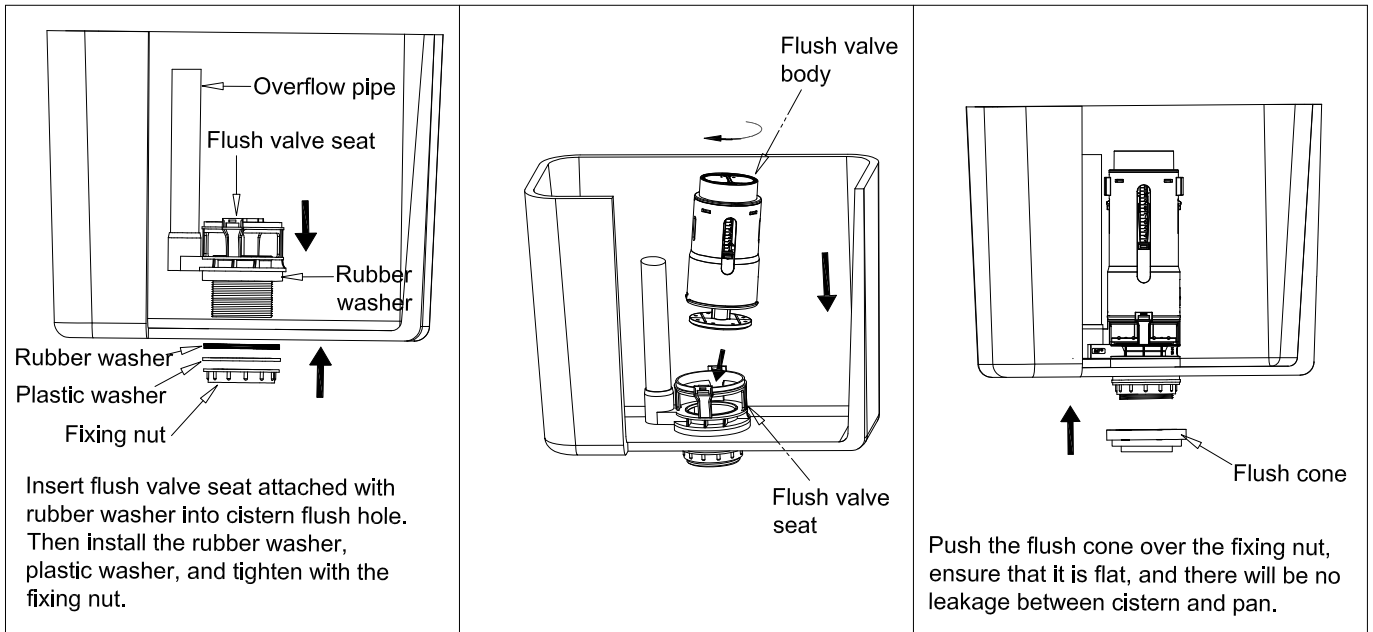
## 1: Flush Valve scale and adjustment setting

**Note:** The Flush Valve should be adjusted for the particular cistern into which it is being installed.

Please refer to the **Adjustment Instruction** that are included within the ceramic cistern tank for the full flush and half flush setting values. The diagrams below show the detailed adjustment method.



## 2: Flush Valve installation



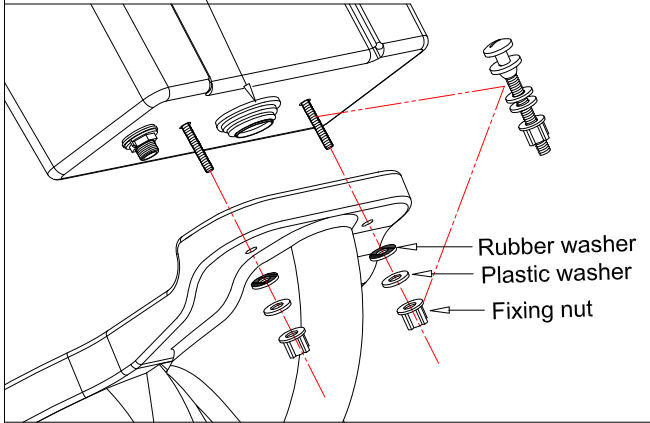
## 3: Flush Valve trouble shooting

Problem	Reason	Solution
Leakage	<ol style="list-style-type: none"> <li>1. Incorrect installation.</li> <li>2. The push rod is too long causing a gap between the washer and the seat.</li> <li>3. Flush valve seat does not fit on the flush valve body.</li> <li>4. Flush valve body is stuck.</li> </ol>	<ol style="list-style-type: none"> <li>1. Install again according to the correct installation procedure.</li> <li>2. Adjust the push rod length. <b>(see page 4)</b></li> <li>3. Install again, ensuring both surfaces are clean for a water tight seal.</li> <li>4. Take off and wash flush valve body.</li> </ol>
No flush, low flush or half flush volume	Push rod is too short.	Adjust the push rod length. <b>(see page 4)</b>
full flush or half flush water level is too high or too low.	Water level is adjusted incorrectly.	Adjust the full flush adjustor or the half flush float cup.

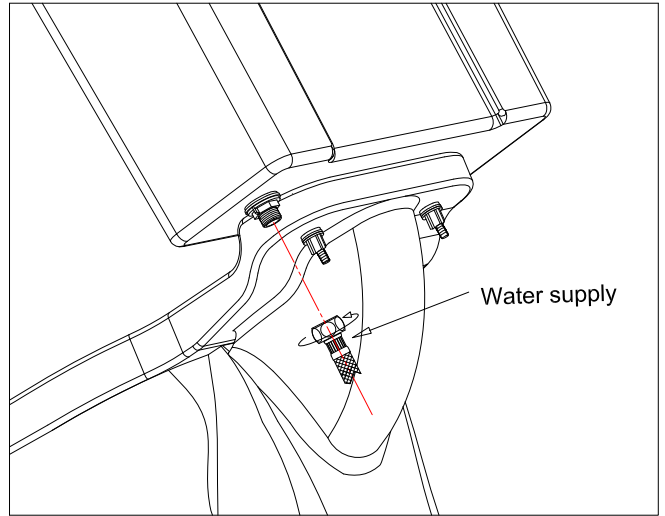
## Cistern and Flush Button Installation

### 1: Install Close Coupled Cistern To Pan

\* Please ensure the flush cone is in position before installation. A thin bead of silicone should be applied to the flush cone and the inlet hole of pan if necessary.



### 2: Connect the water supply to the cistern



### 3: Install The Flush Button

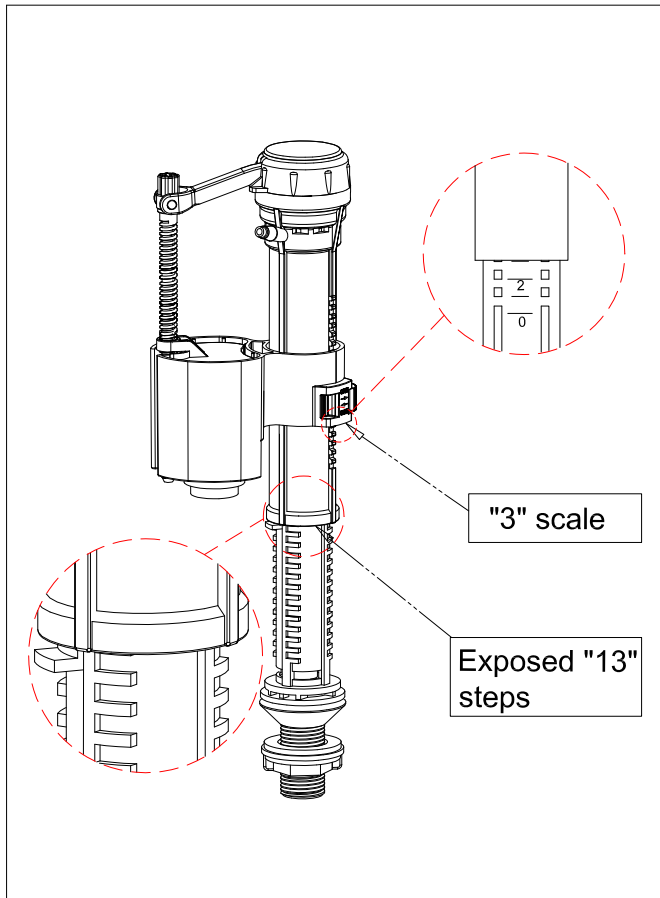
<p>①</p> <p>Take off the fixing nut. Screw the lock nut to position.</p>	<p>②</p> <p>Install the dual flush button onto the cistern lid, and tighten the fixing nut.</p>	<p>③a</p>
<p>③b</p> <p>Loosen the lock nuts, and unscrew the push rods to cut off the redundant section. Please refer to the Adjustment Instruction that are included in the ceramic cistern tank for the recommended Z value.</p>	<p>④a</p>	<p>④b</p> <p>Half Flush Button - Blue Full Flush Button - White</p> <p>Adjust the length of A by turning the push rod, and remember to tighten the lock nut after finishing the adjustment of the push rod (A). The final position should be that push rods just come into contact with the flush valve, but should not push down onto it unless the button is activated.</p>

### 4: After installation check that the full flush and half flush are working correctly. Please consult the trouble shooting pages if there are any problems.



## Adjustment Instructions for Button Flush Cistern Fittings

### 1: Inlet Valve

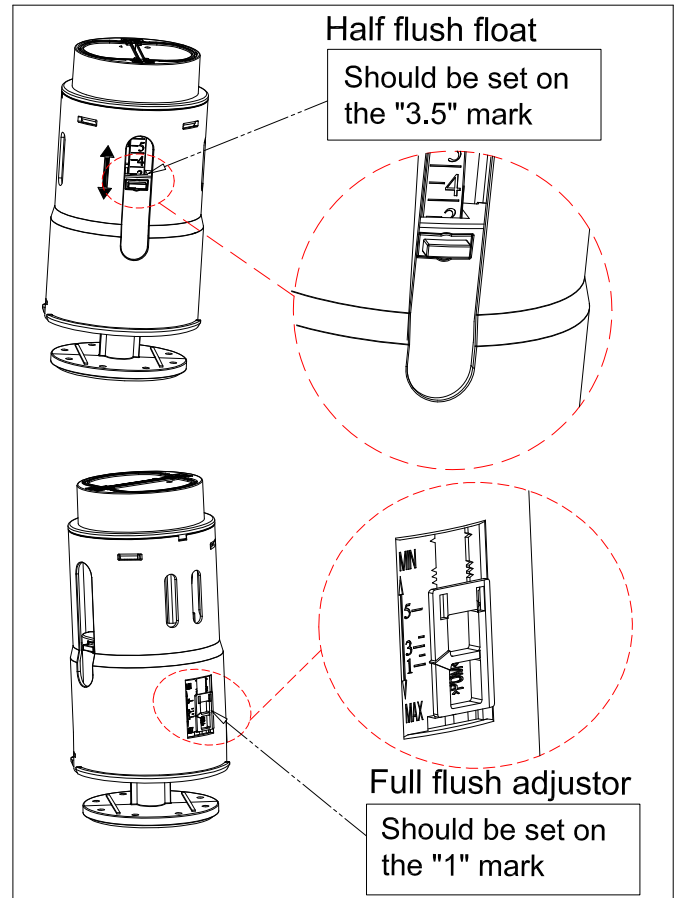


**Note:**

The Inlet Valve can be adjusted to suit the Cistern With Lid - CC.1036 / CC.1980. The above diagram indicates the correct setting for 6L full flush and 3L half flush. The valve is preset for 6L full flush and 3L half flush.

For adjustment method, please refer to the installation instruction supplied with the cistern fittings.

### 2: Flush Valve

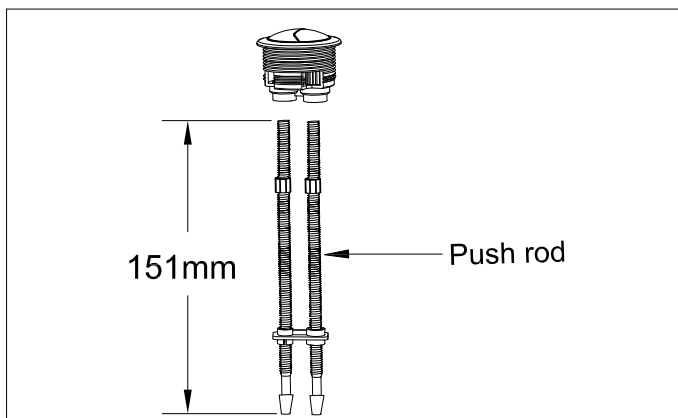


**Note:**

The Flush Valve can be adjusted to suit the Cistern With Lid - CC.1036 / CC.1980. The above diagram indicates the correct setting for 6L full flush and 3L half flush. The valve is preset for 6L full flush and 3L half flush.

For adjustment method, please refer to the installation instruction supplied with the cistern fittings.

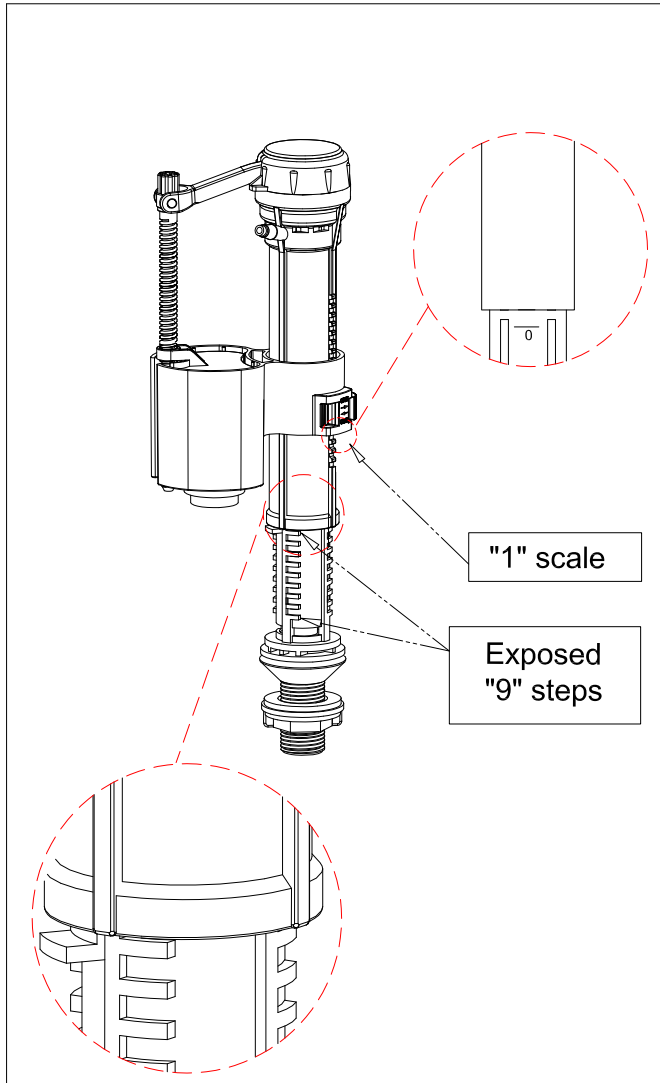
### 3: Dual Flush Button



Screw the push rods out of the button, and cut the push rods to a length of 151mm as shown in the diagram on the left hand side.

## Adjustment Instructions for 4.5L full flush and 2.6L half flush

### 1: Inlet Valve

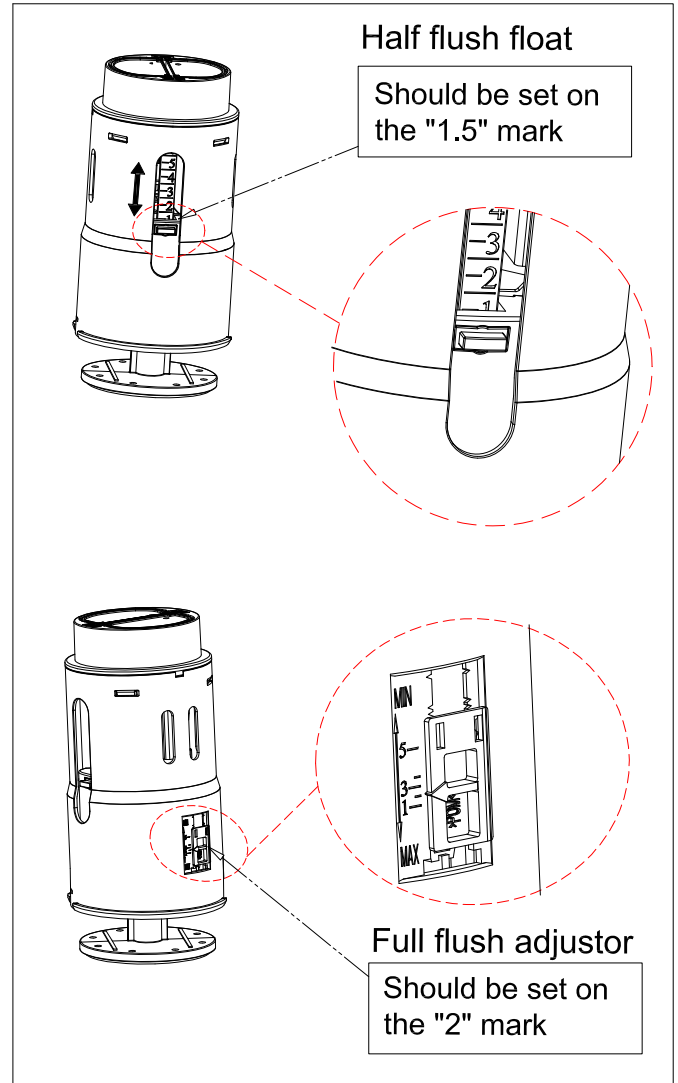


**Note:**

The Inlet Valve can be adjusted to suit the Cistern With Lid - CC.1036 / CC.1980  
The valve is preset for 6L full flush and 3L half flush.

The above diagram indicates the correct setting for 4.5L full flush and 2.6L half flush.  
For adjustment method, please refer to the installation instruction supplied with the cistern fittings.

### 2: Flush Valve



**Note:**

The Flush Valve can be adjusted to suit the Cistern With Lid - CC.1036 / CC.1980  
The valve is preset for 6L full flush and 3L half flush.

The above diagram indicates the correct setting for 4.5L full flush and 2.6L half flush.  
For adjustment method, please refer to the installation instruction supplied with the cistern fittings.