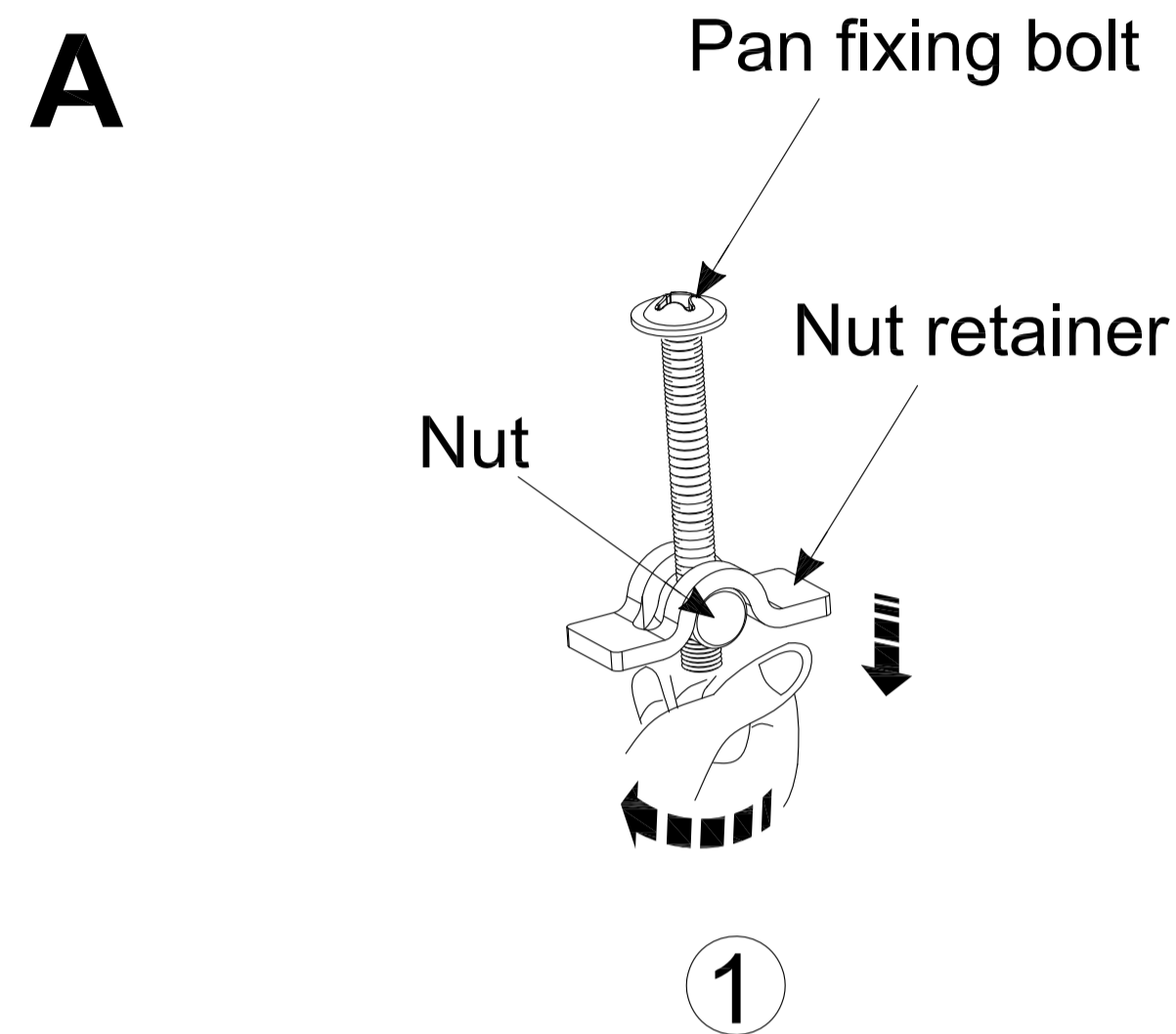
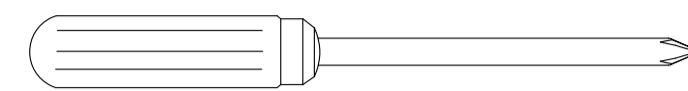
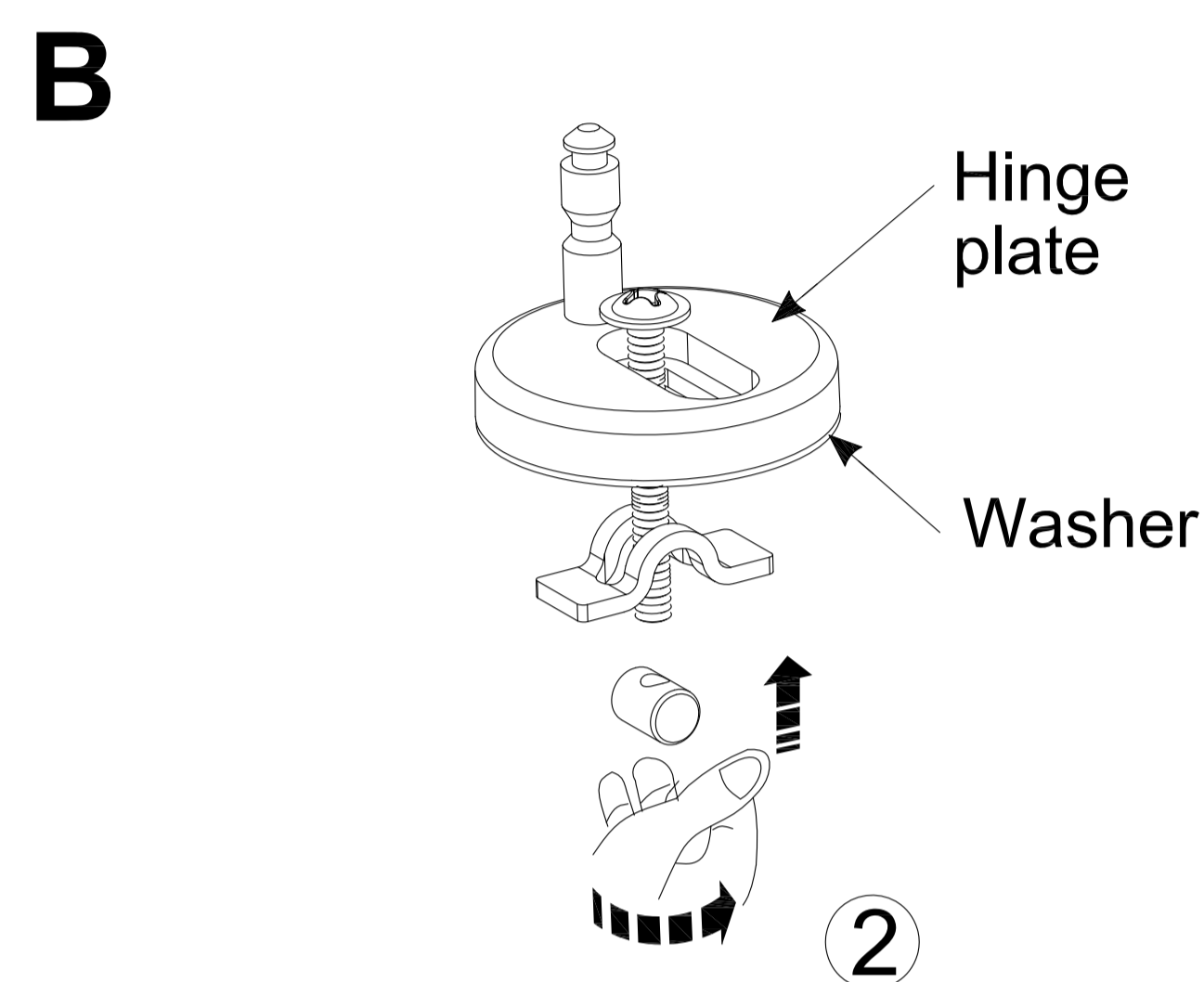


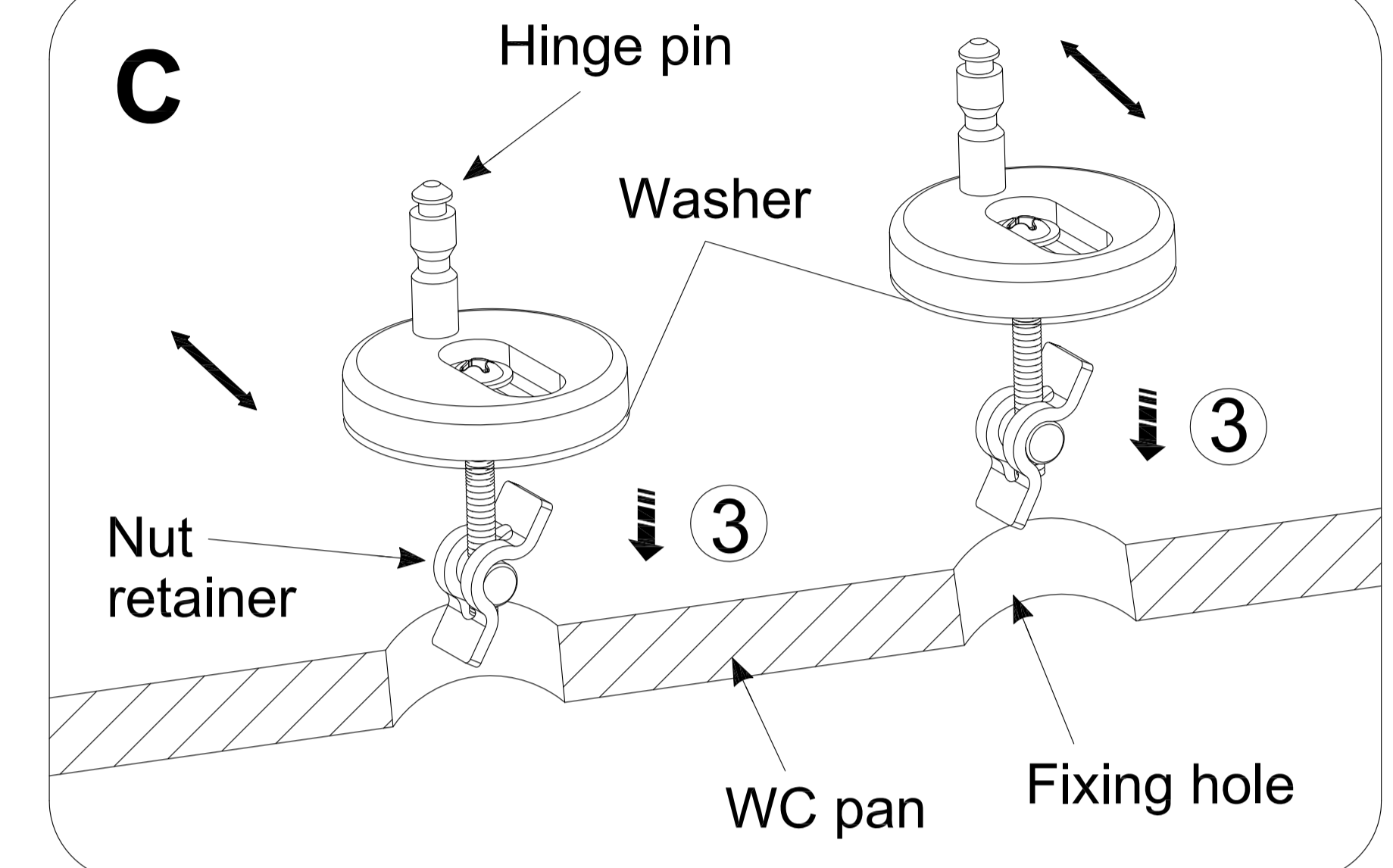
Tools Required:



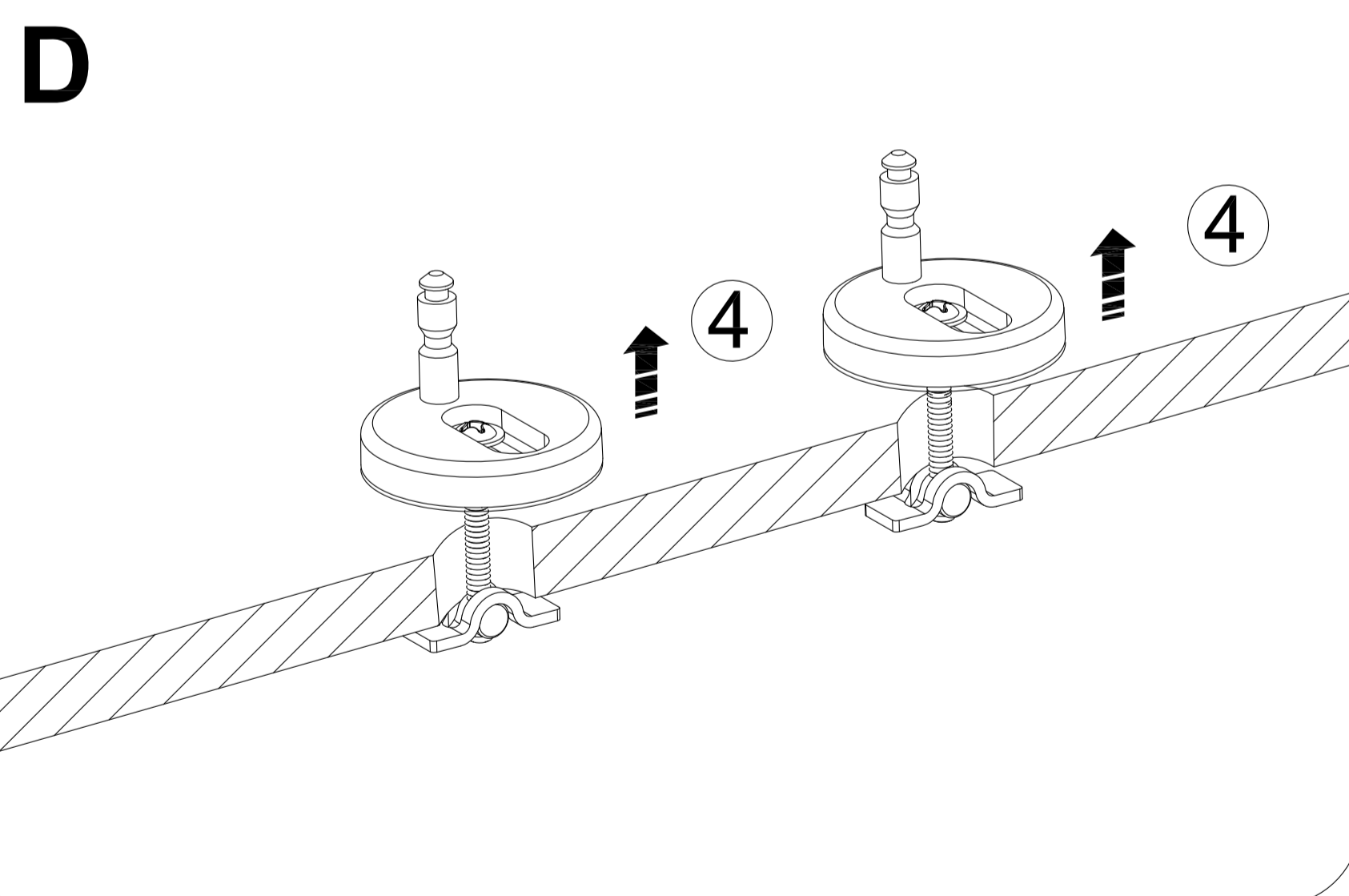
- ① Unscrew the nut from the pan fixing bolt. Remove the nut retainer from the pan fixing bolt.



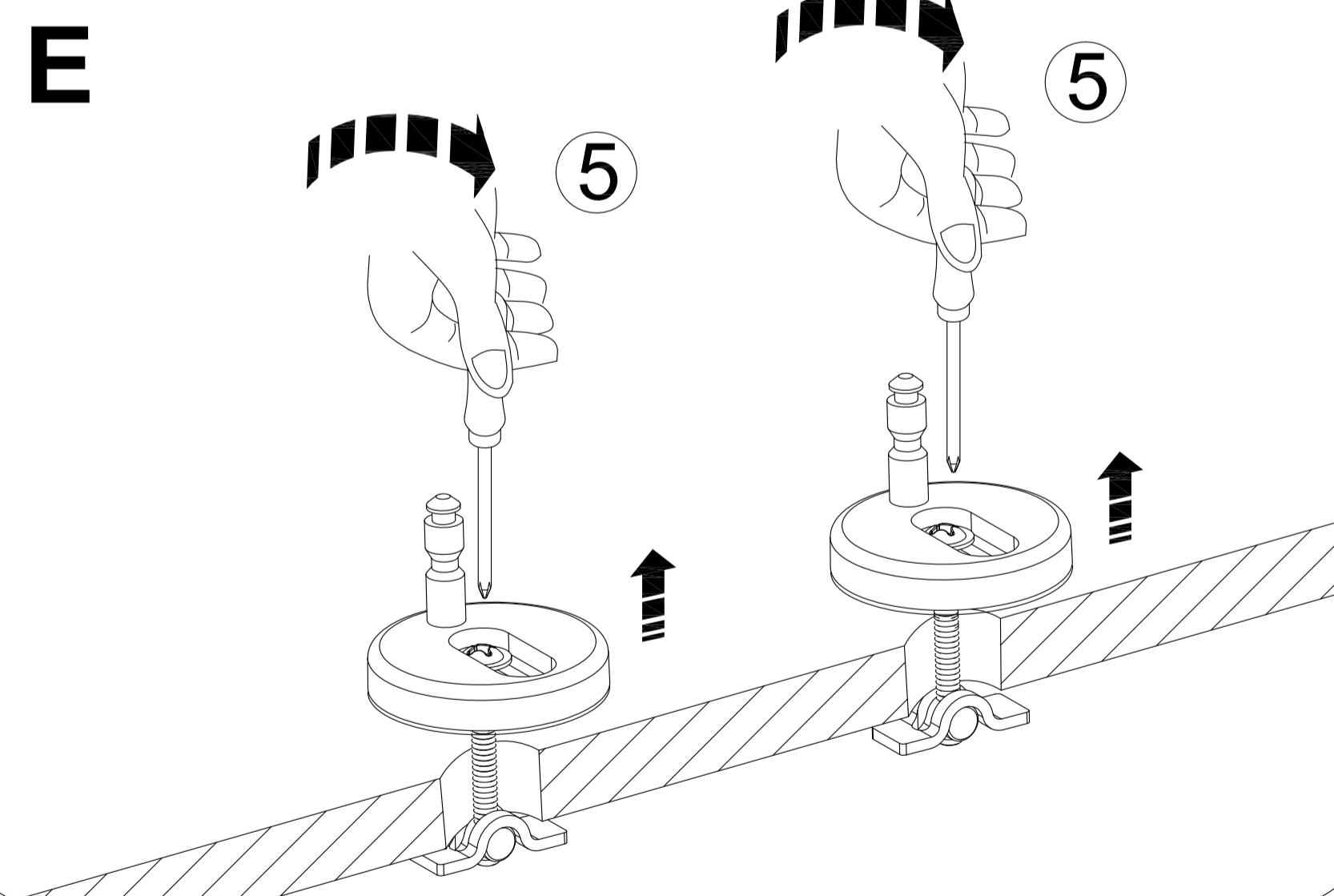
- ② Insert the pan fixing bolt through the hinge plate and the washer. Add the nut retainer to the pan fixing bolt. Screw on the nut to the pan fixing bolt.



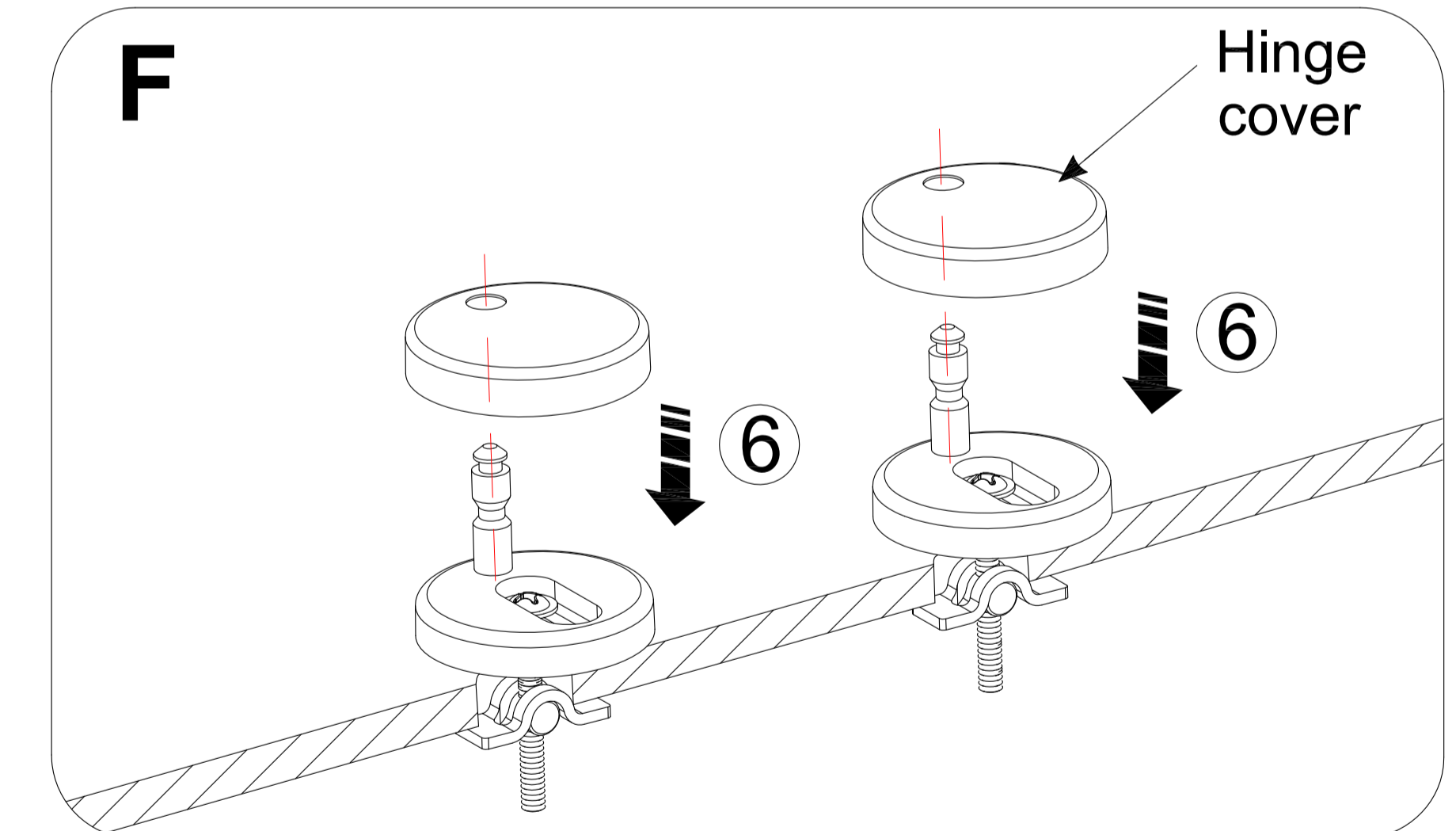
- ③ Flip the nut retainer into a vertical position and insert through the pan fixing hole as shown in Figure C 3.



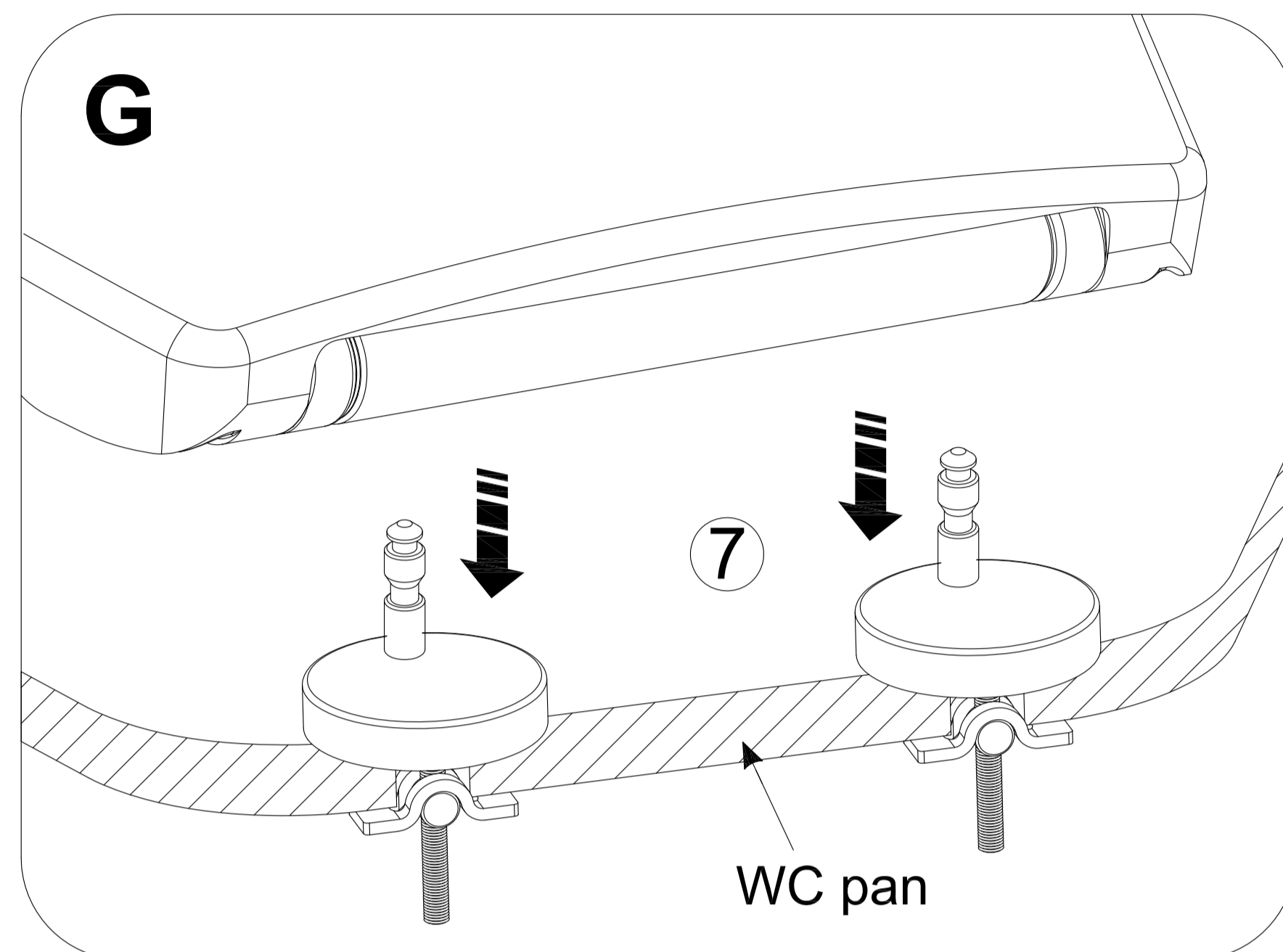
- ④ When inserted, gently shake the pan fixing bolt so that the nut retainer turns to a horizontal position. Once the nut retainer is horizontal, raise the hinge plate and pan fixing bolt so that the nut retainer is firmly held in position by the underside of the ceramic pan- as shown in Figure D 4.



- ⑤ Whilst holding the hinge plate and clamping the nut retainer to the pan, tighten the pan fixing bolt using a screw driver - as shown in Figure E 5. As the pan fixing bolt tightens the hinge plate will lower until fitting tightly to the pan.

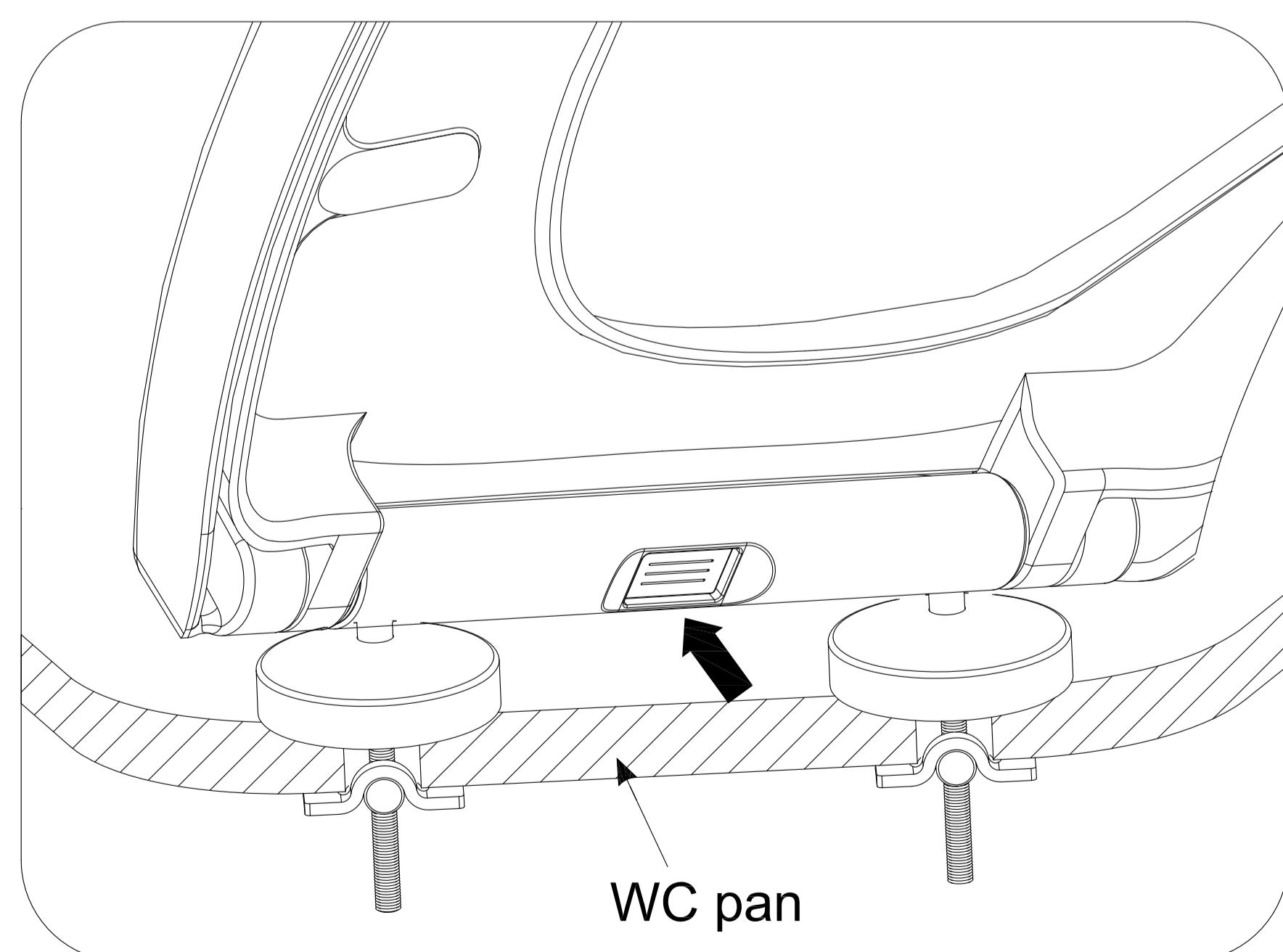


- ⑥ Gently tighten the pan fixing bolt, then fix the seat on to the hinge pins and check if the adjustment of the hinge plate is correct. If the wc seat fits correctly remove the seat and do a final firm fix of the pan fixing bolts to prevent the seat moving or working loose. Cover the hinge plate with the hinge covers as shown in Figure F 6.



- ⑦ Attach the WC seat onto the hinge pins as shown in Figure G 7.

AFTER CARE



Easy Clean - Quick Release

The WC seat can be easily and quickly removed by opening the seat and pressing the button located on the seat hinge. Press the button in, and lift the seat off - see Figure above.

After cleaning re-attach the seat by inserting the hinge pins into the hinge pin holes at the back of the seat. Gently press the seat down and it will click back into place.

Cleaning

Only use water and a mild detergent or soap to clean the seat. Never use scouring agents, abrasive surfaces, bleaching or acidic agents on the seat or the hinges.

The seat has been designed for normal domestic use (not commercial use).

The seat may malfunction if excessive weight is placed on it - don't stand on the seat.