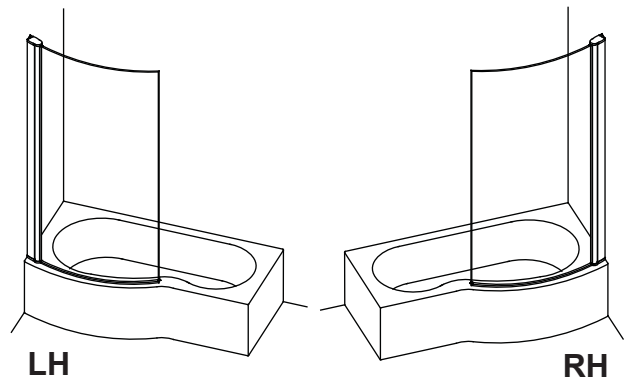


EcoRound Bathscreen - BS7



Before Installation:

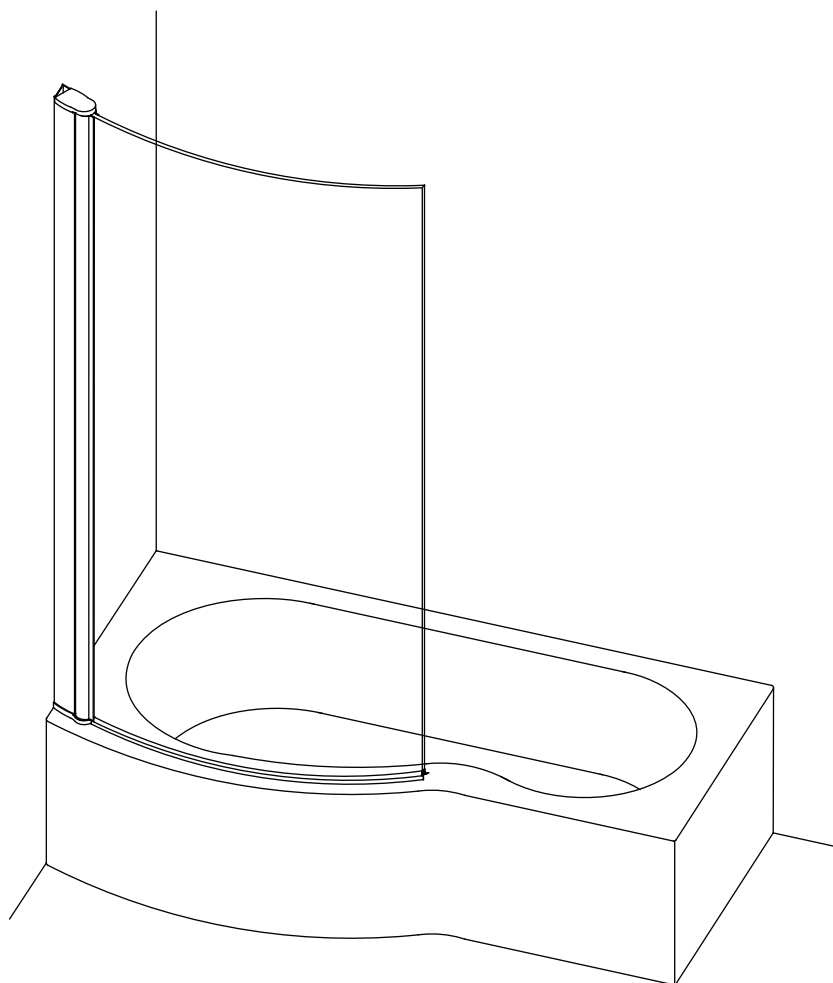
- Check the contents of the pack carefully before installation.
- The bath **MUST** be installed level and fully sealed to the tiles.
- Handle with care. Impacts can damage both the glass and the frame.
- Check for any hidden pipes or cables before drilling holes in the wall.
- The enclosure is reversible: " door can be either left or right opening. "

In the remainder of this manual the illustrations will only show the left hand installation of the bath screen.

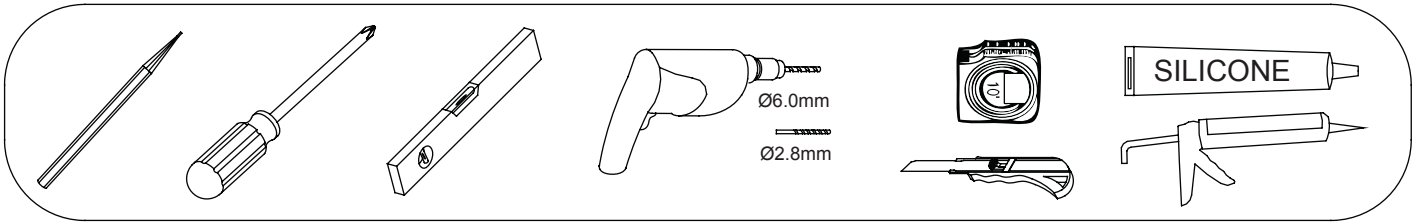
- The wall fixings supplied may not be suitable for your installation. You may need to source alternatives depending on the construction of the wall you are fixing to.
- Follow each step in turn.

Care and Cleaning:

- Do not use solvents or abrasive material or chemicals to clean the enclosure.
- Only clean using soapy water and a soft cloth, rinse thoroughly afterwards.

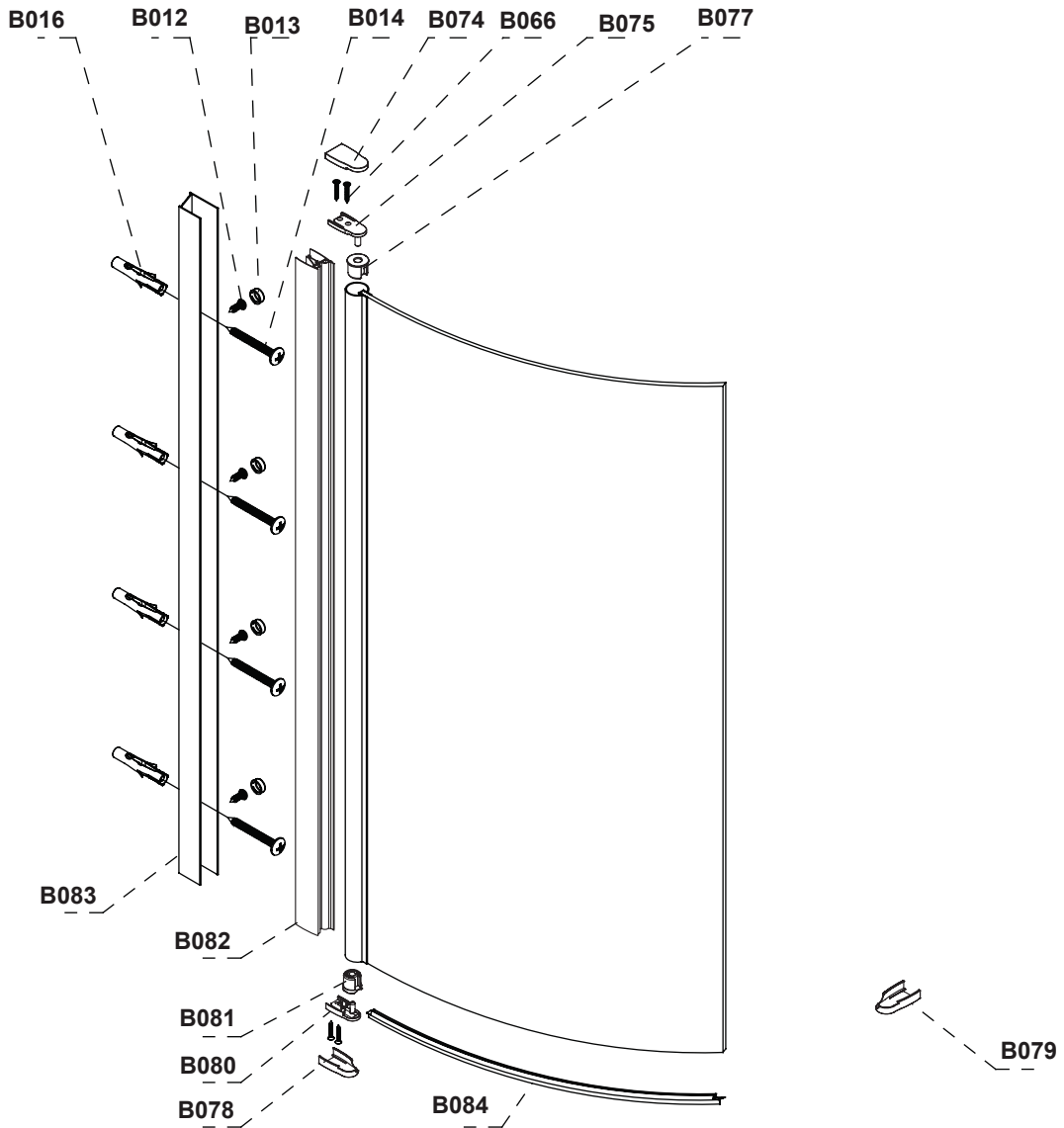


Tools required:



Parts supplied:

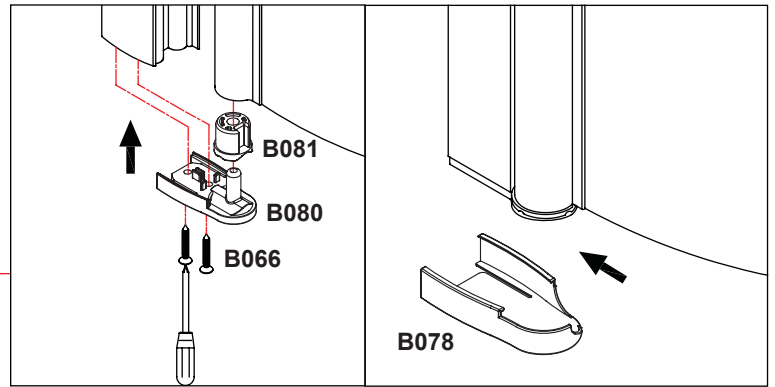
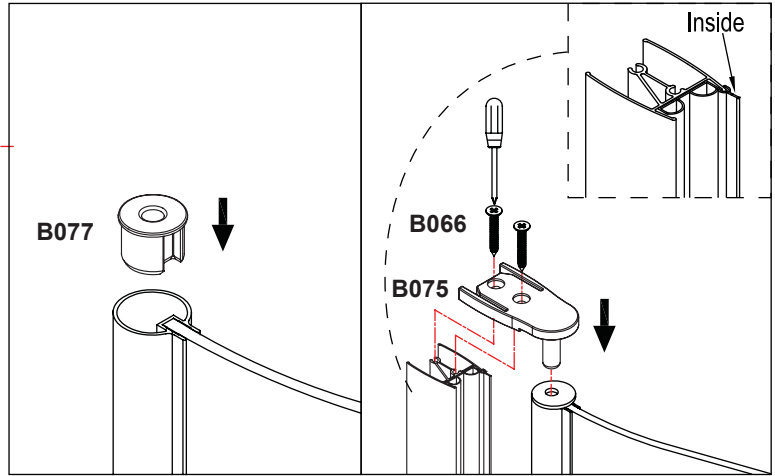
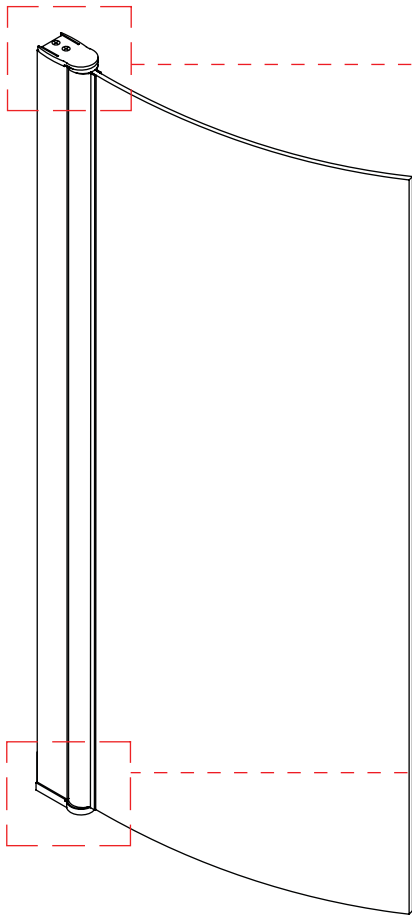
EcoRound Bathscreen - BS7



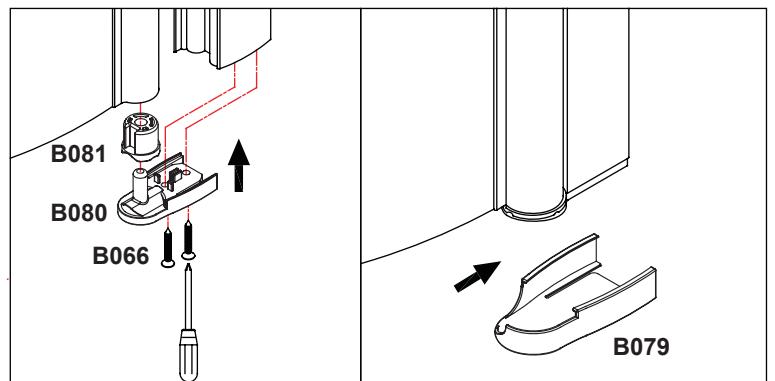
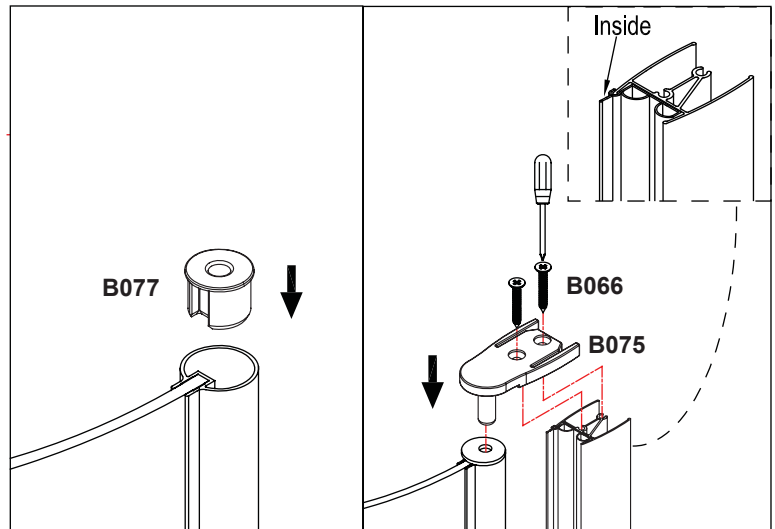
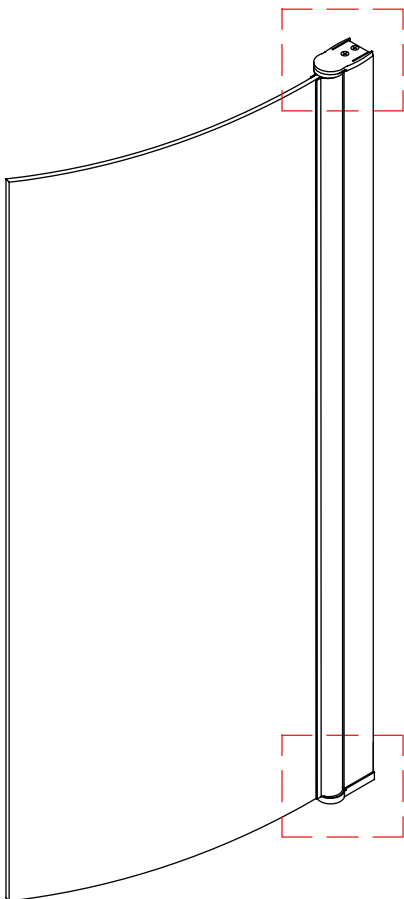
<p>B077</p> <p>1x</p>	<p>B066</p> <p>4x ST4*30mm</p>	<p>B075</p> <p>1x</p>	<p>B074</p> <p>1x</p>	<p>B016</p> <p>4x</p>
<p>B014</p> <p>4x ST4*50mm</p>	<p>B013</p> <p>4x</p>	<p>B012</p> <p>4x ST3.5*10mm</p>	<p>B078</p> <p>1x LH</p>	<p>B079</p> <p>1x RH</p>
<p>B080</p> <p>1x</p>	<p>B081</p> <p>1x</p>	<p>B082</p> <p>1x</p>	<p>B083</p> <p>1x</p>	<p>B084</p> <p>1x</p>

①

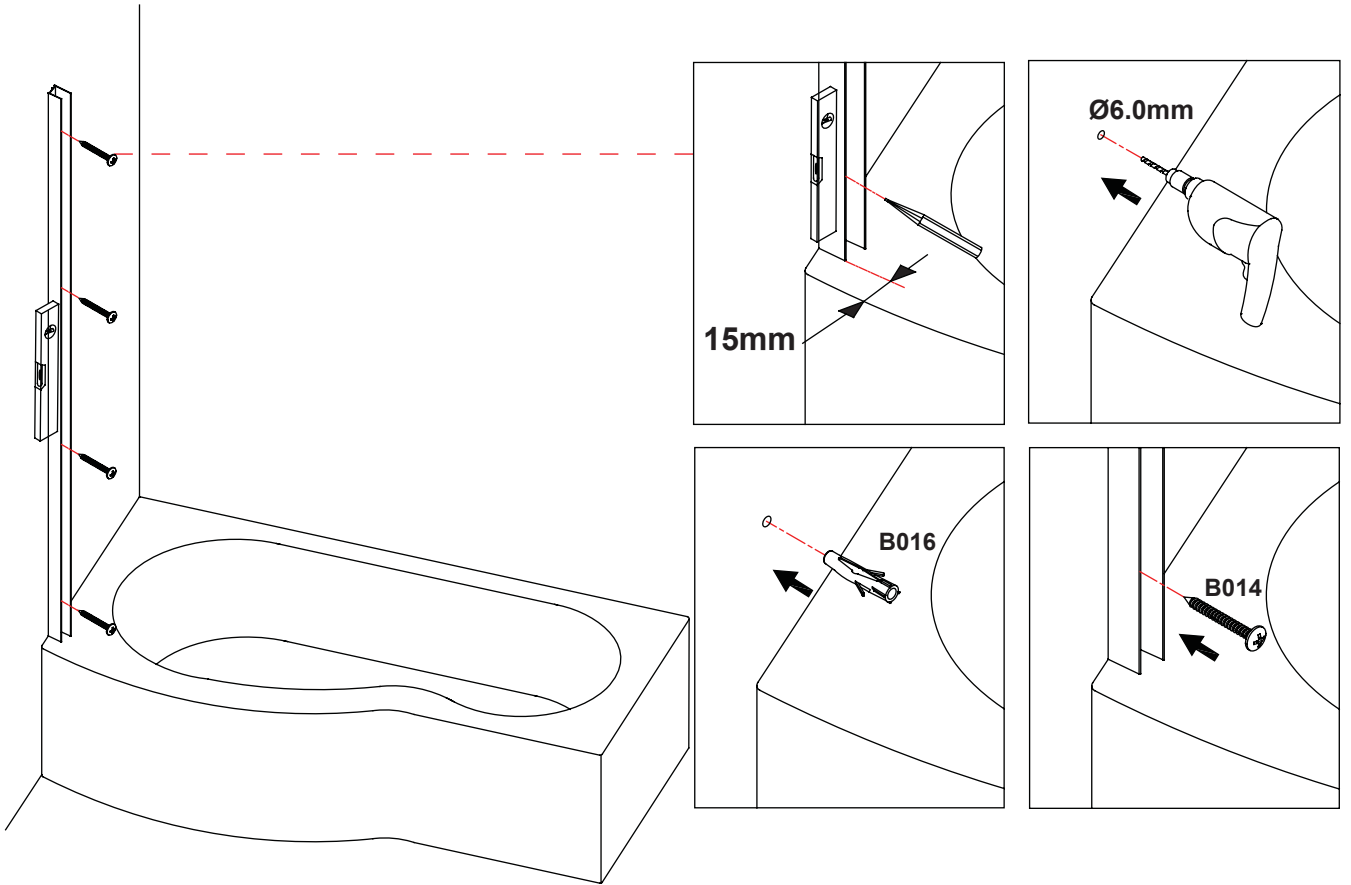
LH



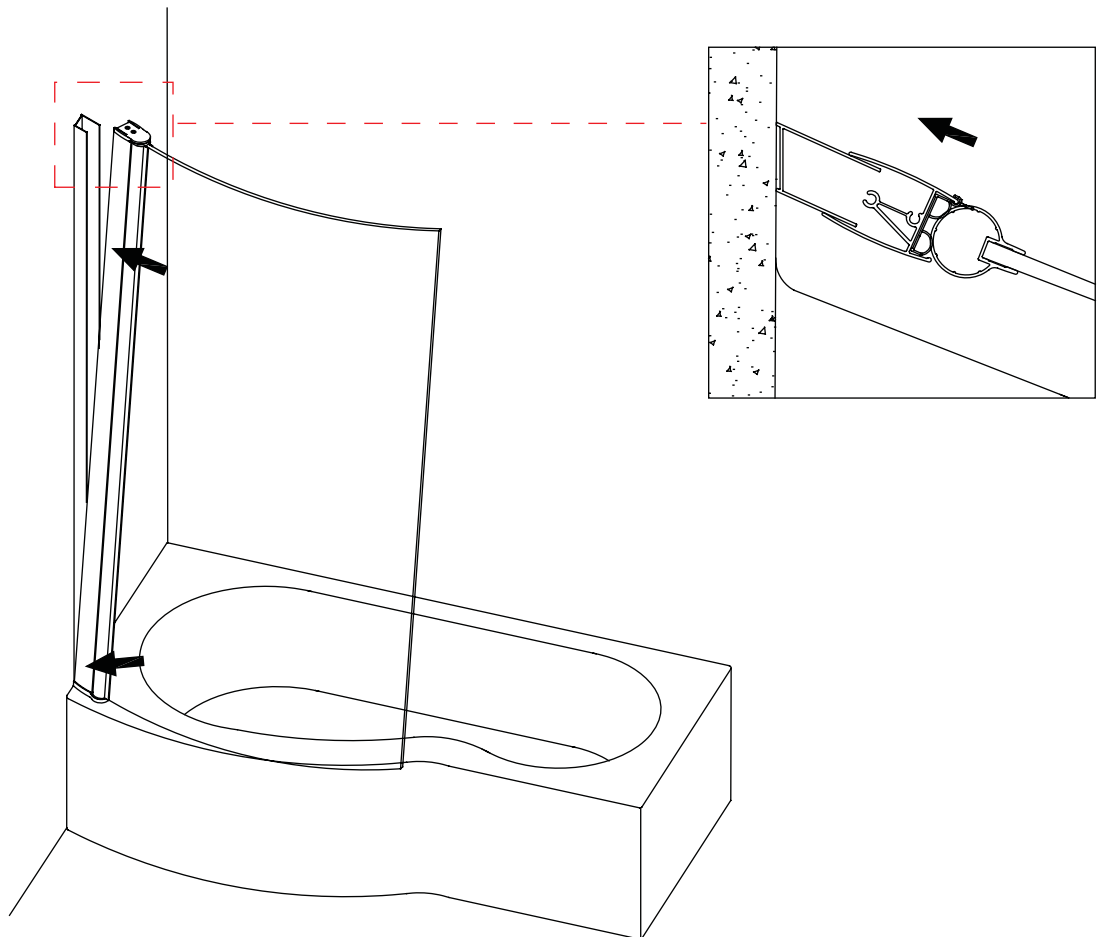
RH



②



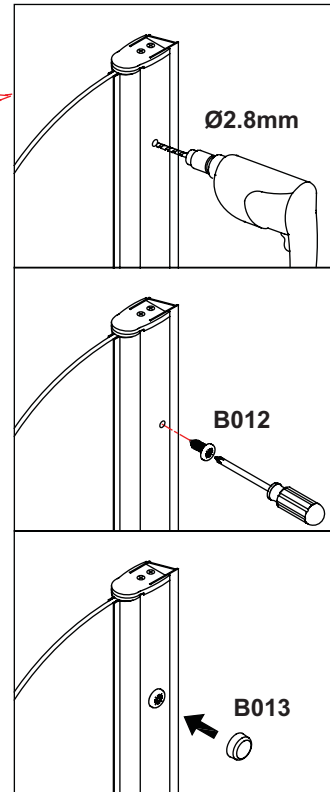
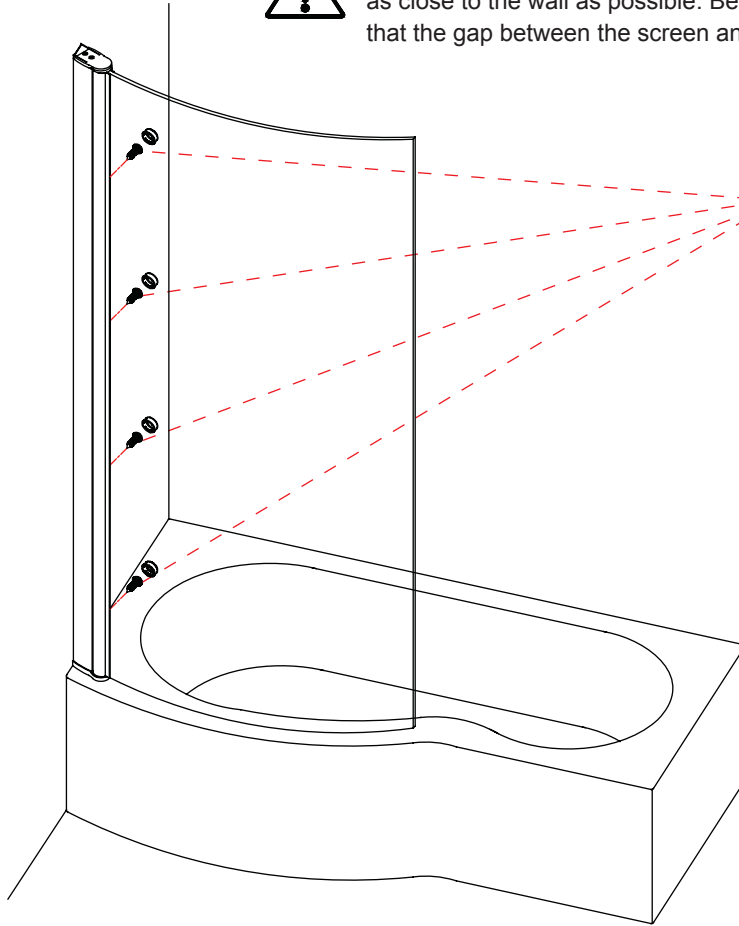
③



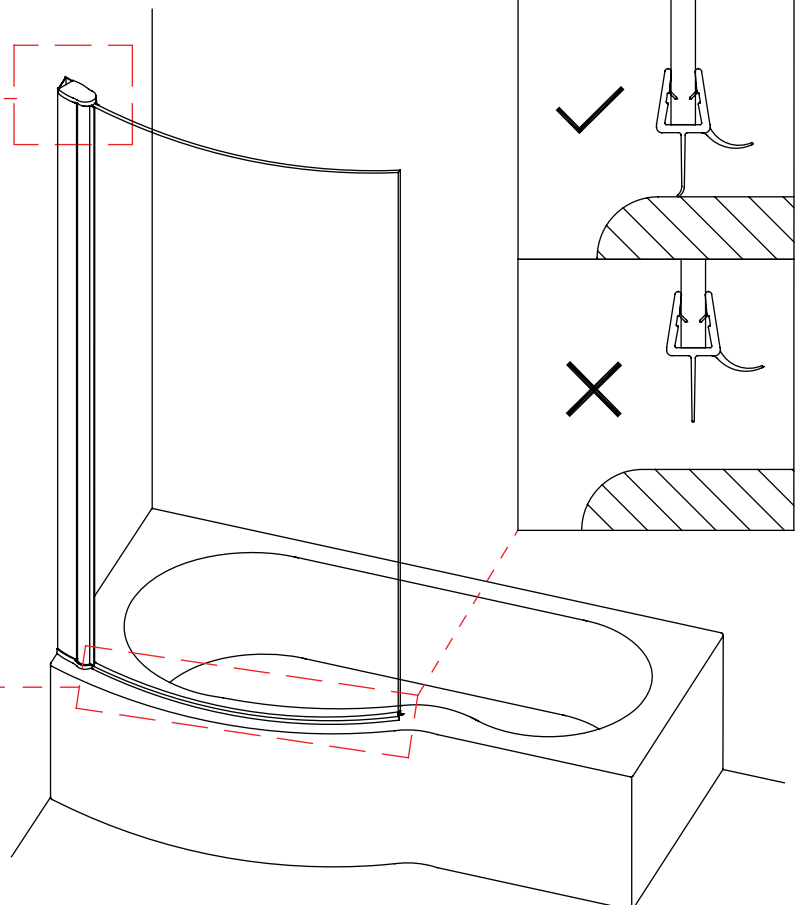
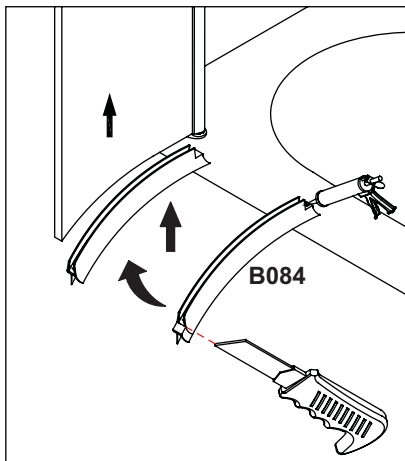
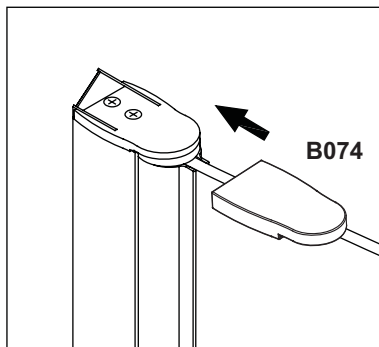
④



Firmly push the screen profile onto the wall profile, ensure the screen profile is as close to the wall as possible. Before securing the screen to the profile ensure that the gap between the screen and the bath is equal along its whole length.



⑤



6

