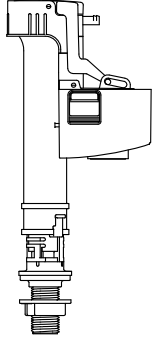
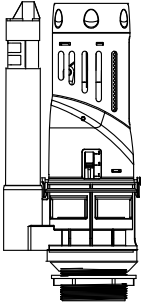
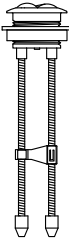
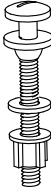



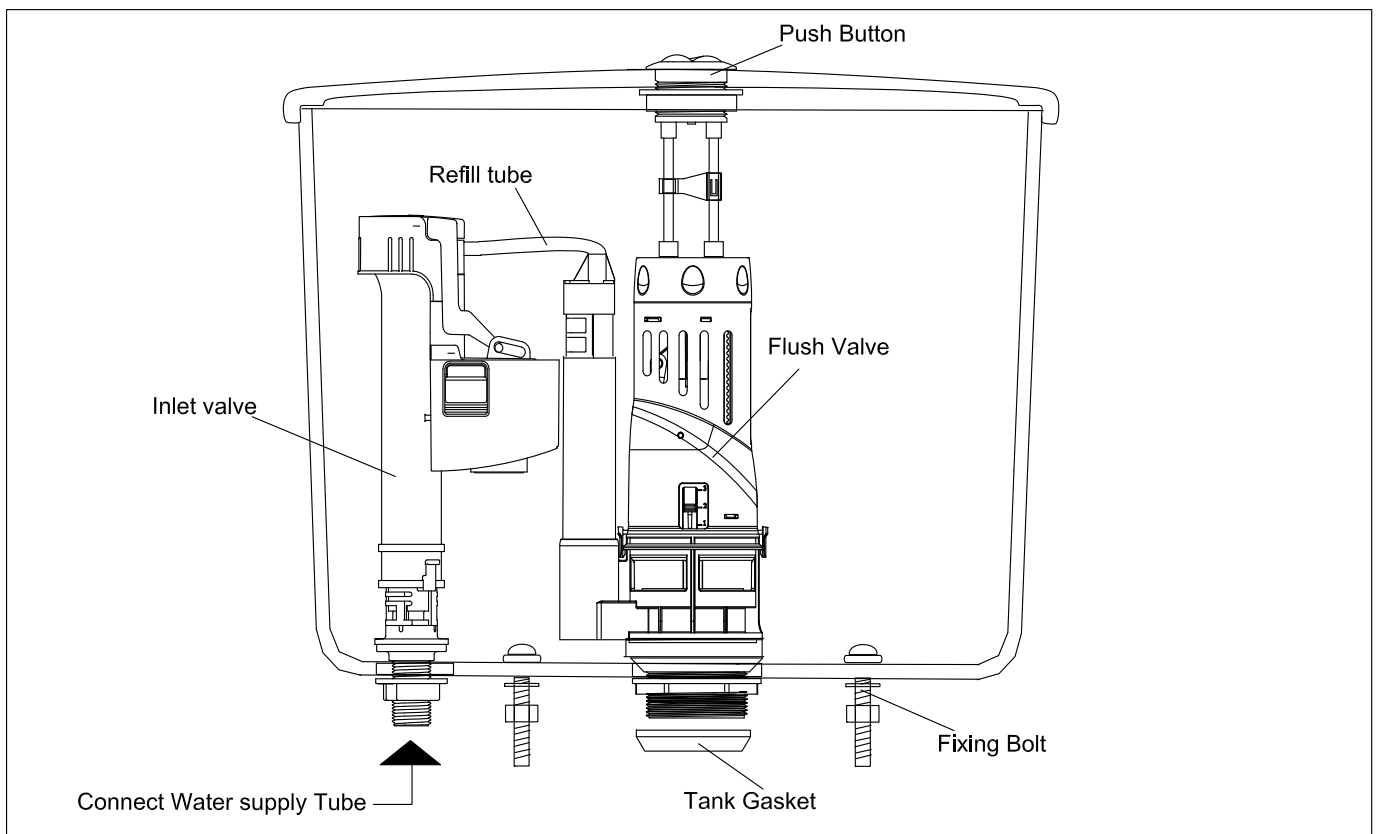
# Installation Instruction for Dual Flush Cistern Fittings

## Parts Supplied:

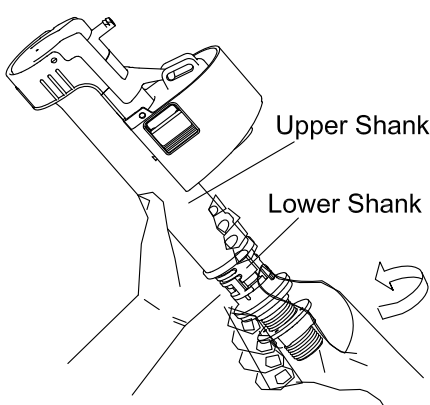
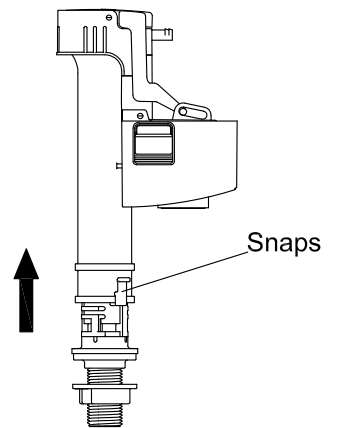
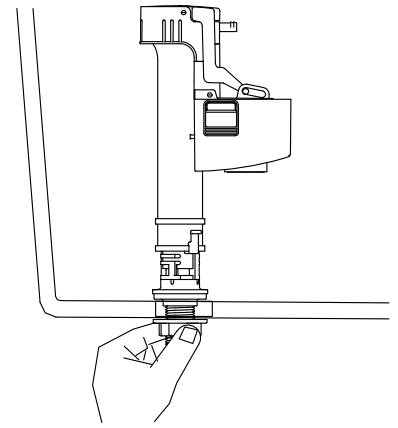
Inlet Valve	Flush Valve	Button	Bolt	Tank Gasket
				
1x	1x	1x	2x	1x

- Please read these instructions carefully to avoid damage to the valves, and to ensure correct installation.
- Do not use bleach or bleach based cleaning products in the cistern, as these will cause damage to the seals.
- Water temperature range +2C to +45C.
- Water pressure 0.2 to 8 bar.

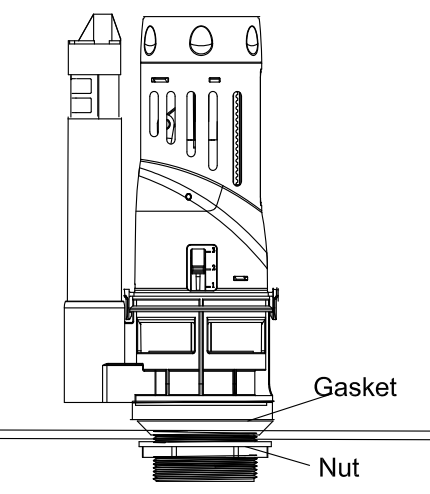
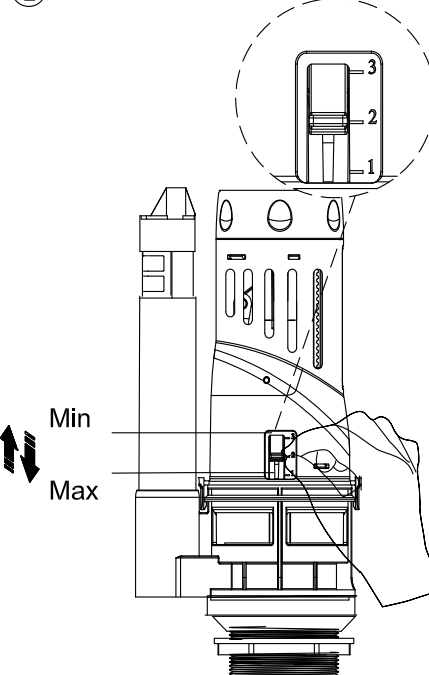
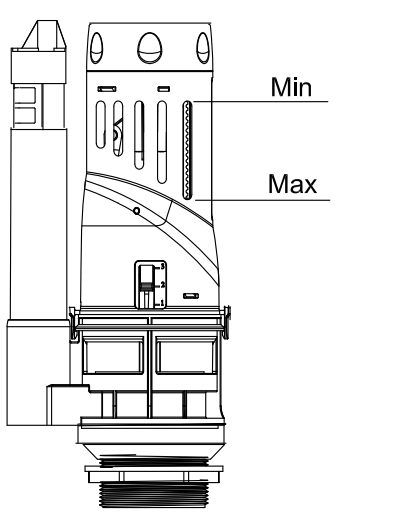
## General Drawing:



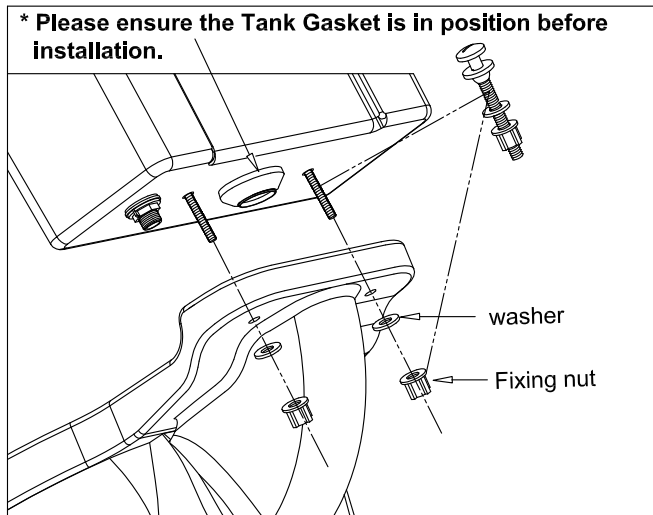
### 1: Inlet Valve adjustment settings and installation

<p>①</p>  <p><b>Adjust height of Inlet Valve:</b> To adjust height, remove the snaps, turn the upper shank clockwise to unlock teeth from lower shank. Next, adjust the height by pulling up or down the upper shank to set at desired height.</p>	<p>②</p>  <p>After adjusting height of the Inlet valve, rotate the upper shank counter clockwise to lock into the lower shank. Next, push up snaps to secure it.</p>	<p>③</p>  <p><b>Installing Inlet Valve:</b> Remove locknut and slide Inlet Valve into the installation hole. Rotate Inlet valve to desired position and tighten the locknut. (DO NOT OVER TIGHTEN) (Torque &lt;2.2 LB-FT)</p>
-----------------------------------------------------------------------------------------------------------------------------------------------------------------------------------------------------------------------------------------------------------------------------------------------------------------------------------------	--------------------------------------------------------------------------------------------------------------------------------------------------------------------------------------------------------------------------------------------------------	----------------------------------------------------------------------------------------------------------------------------------------------------------------------------------------------------------------------------------------------------------------------------------------------------------------------

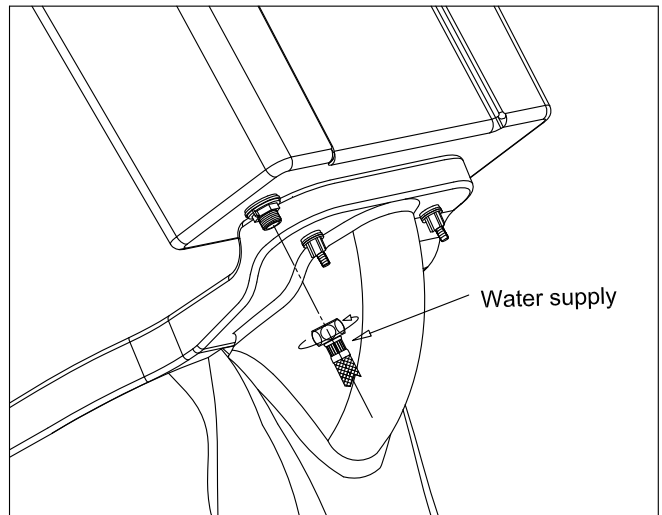
### 2: Flush Valve adjustment settings and installation

<p>①</p>  <p>Remove the nut, slide the flush valve into the tank hole, then tighten the back nut.</p>	<p>②</p>  <p><b>Adjustment of half flush level:</b> To increase the water level, the half flush float should be lowered. To decrease the water level, the half flush float should be raised.</p>	<p>③</p>  <p><b>Adjustment of full flush level:</b> To increase the water level, the red indicator should be lowered. To decrease the water level, the red indicator should be raised.</p>
------------------------------------------------------------------------------------------------------------------------------------------------------------------------------------------	------------------------------------------------------------------------------------------------------------------------------------------------------------------------------------------------------------------------------------------------------------------------------------------	-------------------------------------------------------------------------------------------------------------------------------------------------------------------------------------------------------------------------------------------------------------------------------------

### 3: Install Close Coupled Cistern To Pan



### 4: Connect the water supply to the cistern



### 5: Install The Flush Button

①

Loose the lock nuts, and unscrew the push rods to cut off the redundant section.

②

Install the dual flush button onto the cistern lid, and tighten the fixing nut. Adjust the direction of the push button to ensure the push rods contact the correct push buttons on the flush valve.

③

Tighten the nut.

### 6: Inlet Valve trouble shooting

Problem	Reason	Solution
Incorrect water level	Incorrect adjustment.	Adjust the Water level correctly.
Inlet Valve does not work	Water supply is closed.	Open the water supply.
	The filter is blocked.	Clean the filter.
	The Stop Float has been over adjusted beyond its operational range.	Adjust the Inlet Valve.
Leakage	The Inlet Valve fixing nut has not been tightened.	Tighten the nut.

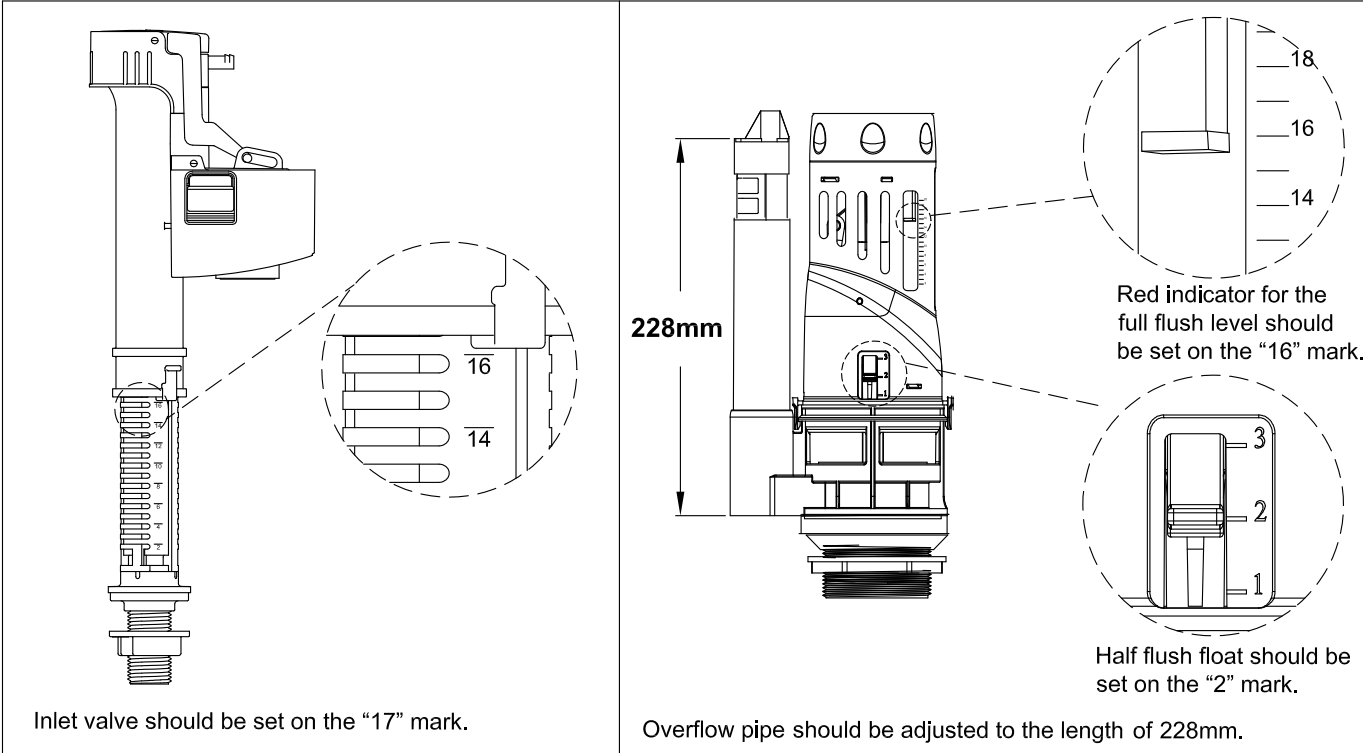
### 7: Flush Valve trouble shooting

Problem	Reason	Solution
Leakage	1. Incorrect installation. 2. The push rod is too long causing a gap between the washer and the seat. 3. Flush valve seat does not fit on the flush valve body. 4. Flush valve body is stuck.	1. Install again according to the correct installation procedure. 2. Adjust the push rod length. 3. Install again, ensuring both surfaces are clean for a water tight seal. 4. Take off and wash flush valve body.
No flush, low flush or half flush volume	Push rod is too short.	Adjust the push rod length. <b>(see page 4)</b>
full flush or half flush water level is too high or too low.	Water level is adjusted incorrectly.	Adjust the full flush adjustor or the half flush float cup.

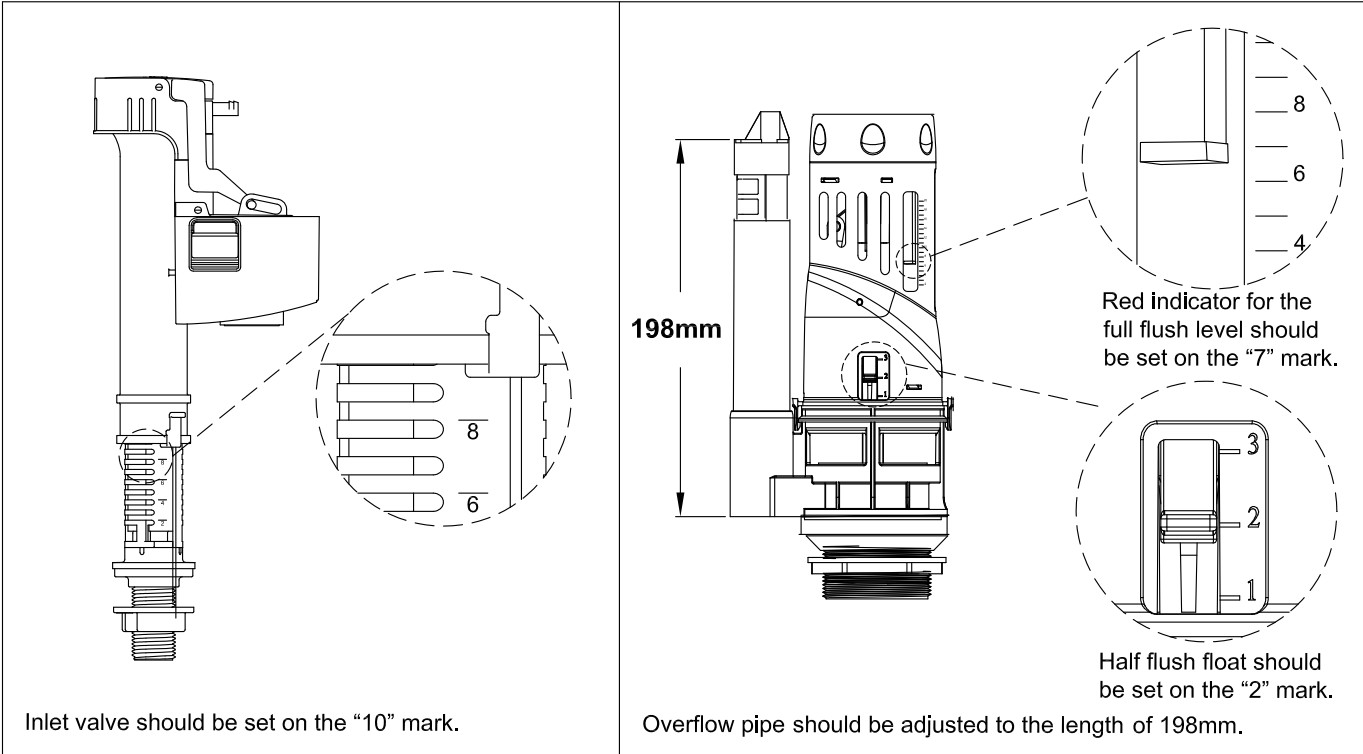
**8:** After installation check that the full flush and half flush are working correctly. Please consult the trouble shooting pages if there are any problems.

**Adjustment Instructions**

**6L Full flush and 3L half flush adjust settings**



**4.5L Full flush and 2.6L half flush adjust settings**



**Dual Flush Button**

