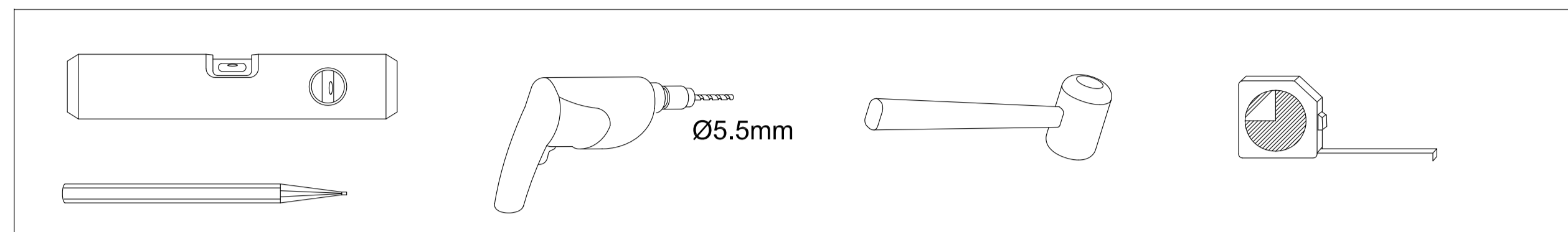


Tools Required:



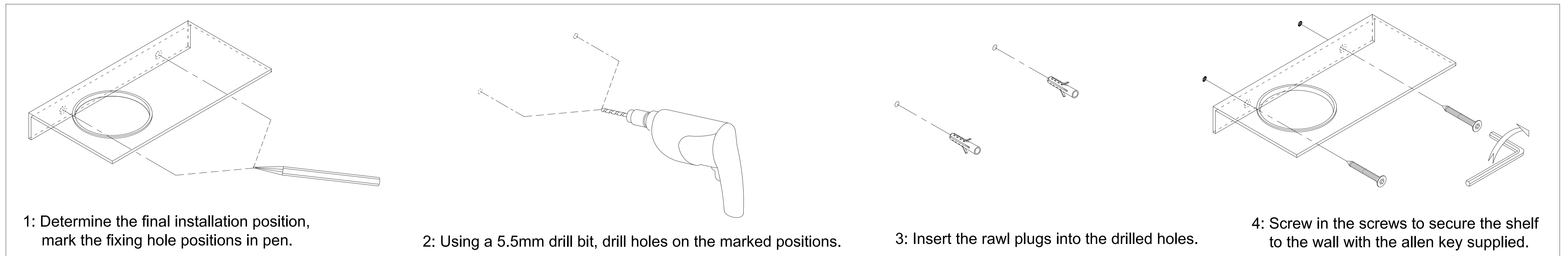
Care and Maintenance:

This product is made from polished stainless steel.

Clean with water or a soft detergent and dry with a soft cloth. Do not use detergents containing hydrochloric acid or caustic chemicals, or abrasive materials, chemicals or cloths.

Install following the installation instructions.

Installation Method:



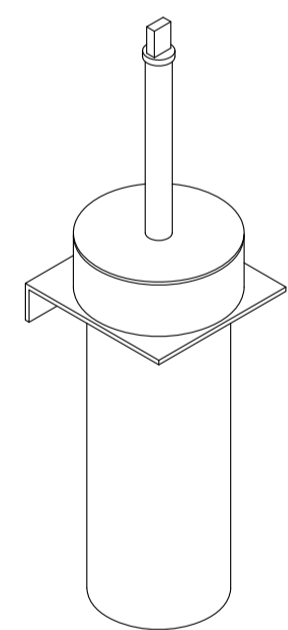
1: Determine the final installation position, mark the fixing hole positions in pen.

2: Using a 5.5mm drill bit, drill holes on the marked positions.

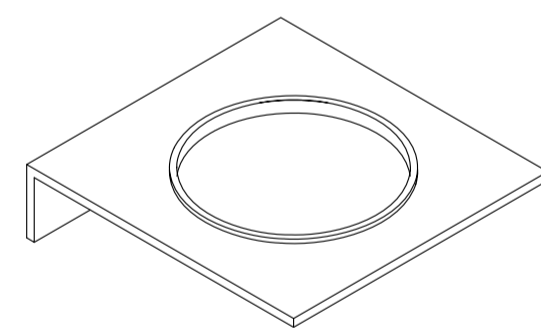
3: Insert the rawl plugs into the drilled holes.

4: Screw in the screws to secure the shelf to the wall with the allen key supplied.

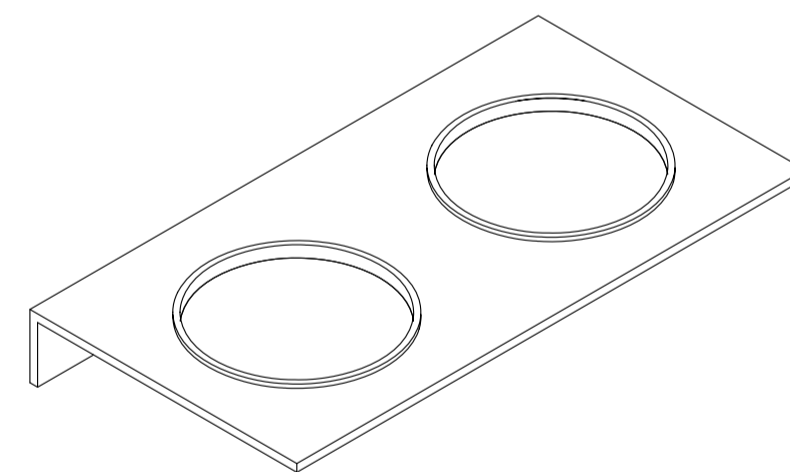
BR11
WC Brush in a Ceramic holder on a Stainless Steel shelf Holder



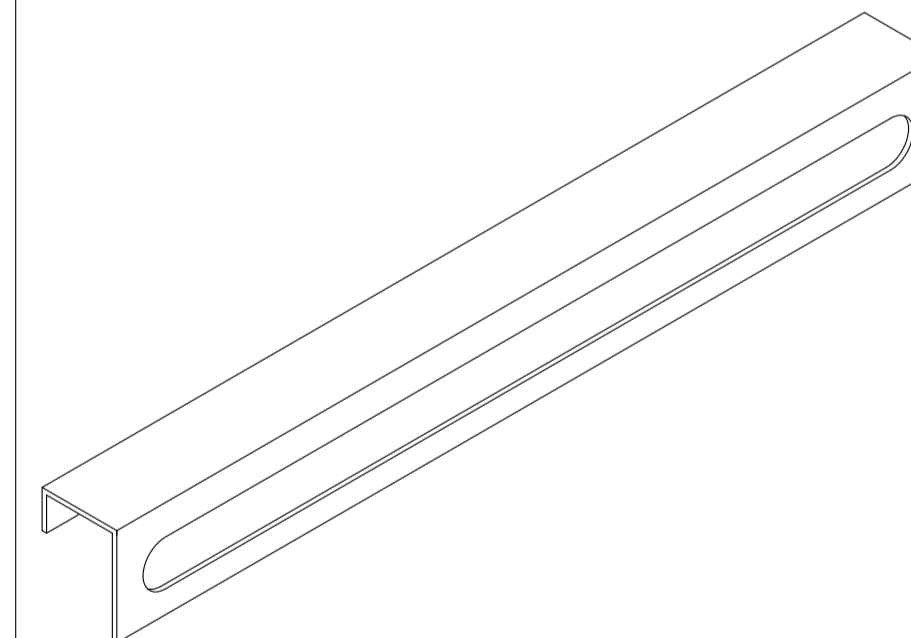
BR4
Stainless Steel shelf - single hole



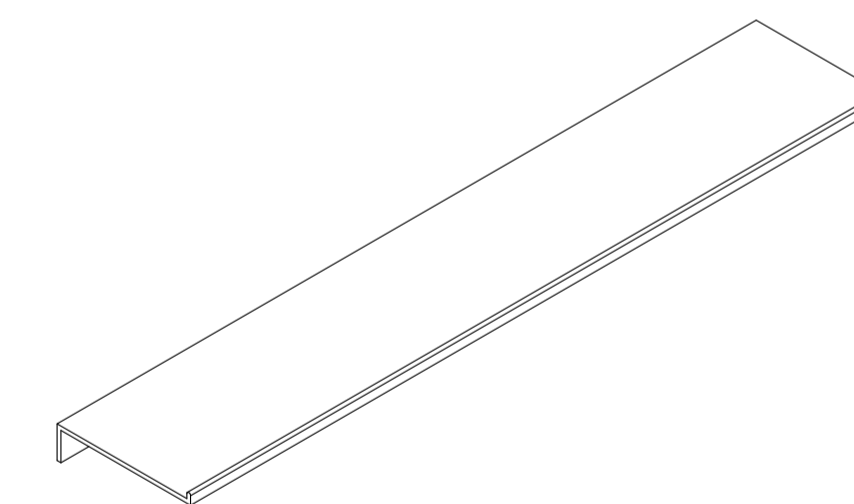
BR5
Stainless Steel shelf - double hole



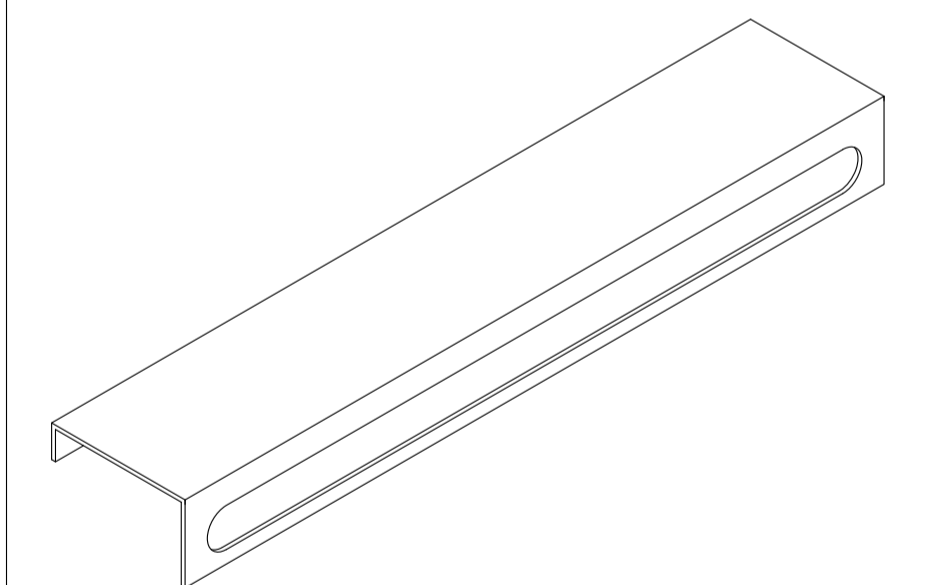
BR13
55cm Stainless Steel Towel Rail



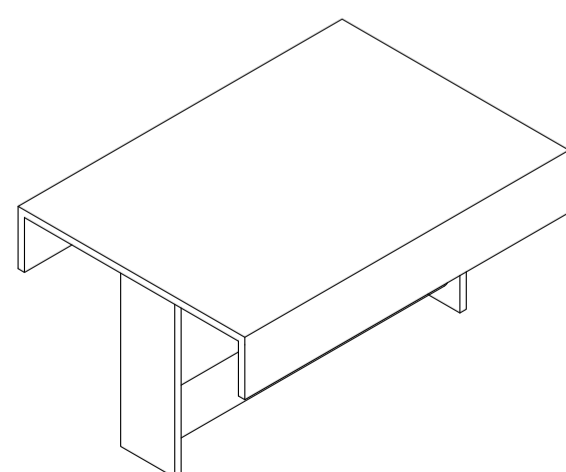
BR7
55cm Stainless Steel Shelf



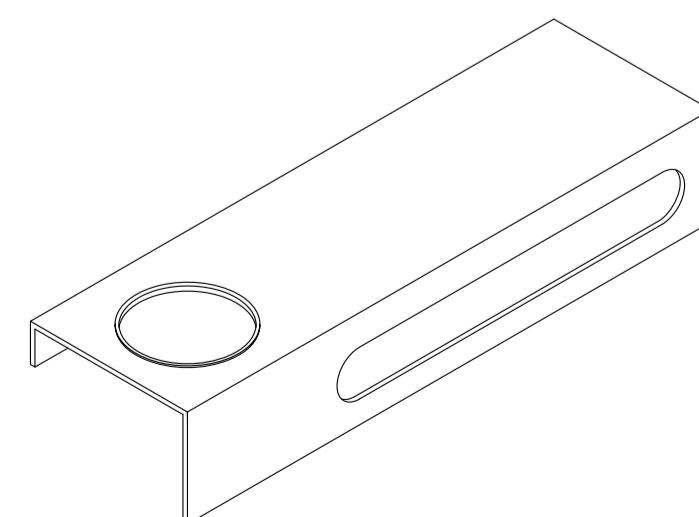
BR8
55cm Stainless Steel Shelf with a Towel Rail



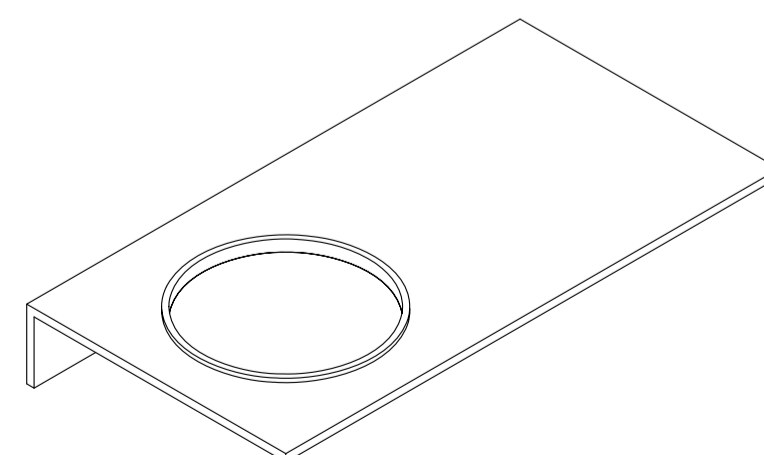
BR12
WC Brush in a Ceramic holder on a Stainless Steel shelf Holder



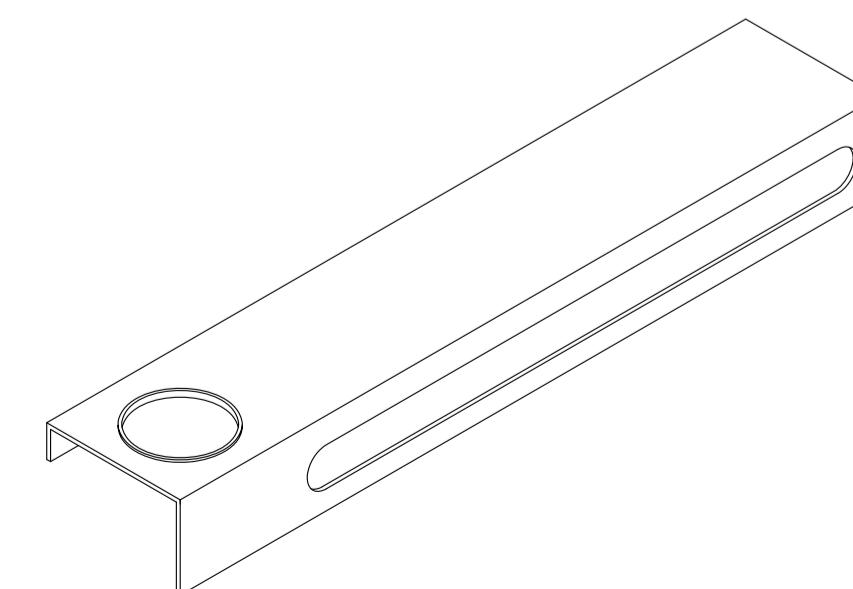
BR10
35cm Stainless Steel Shelf & Towel Rail with an offset hole



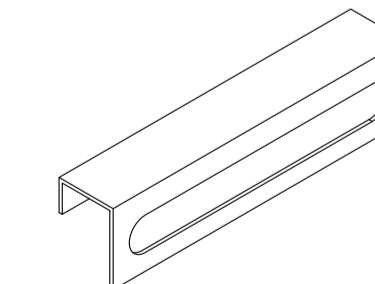
BR6
Stainless Steel shelf - offset hole



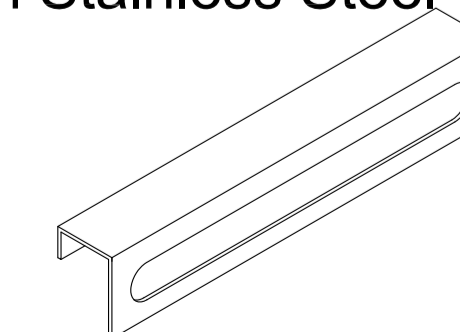
BR9
55cm Stainless Steel Shelf & Towel Rail with an offset hole



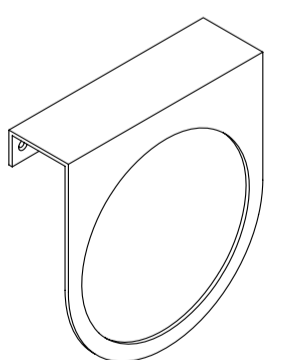
BR19
27cm Stainless Steel Towel Rail



BR14
35cm Stainless Steel Towel Rail



BR18
Towel ring



BR15
35cm Stainless Steel Shelf & Towel Rail

