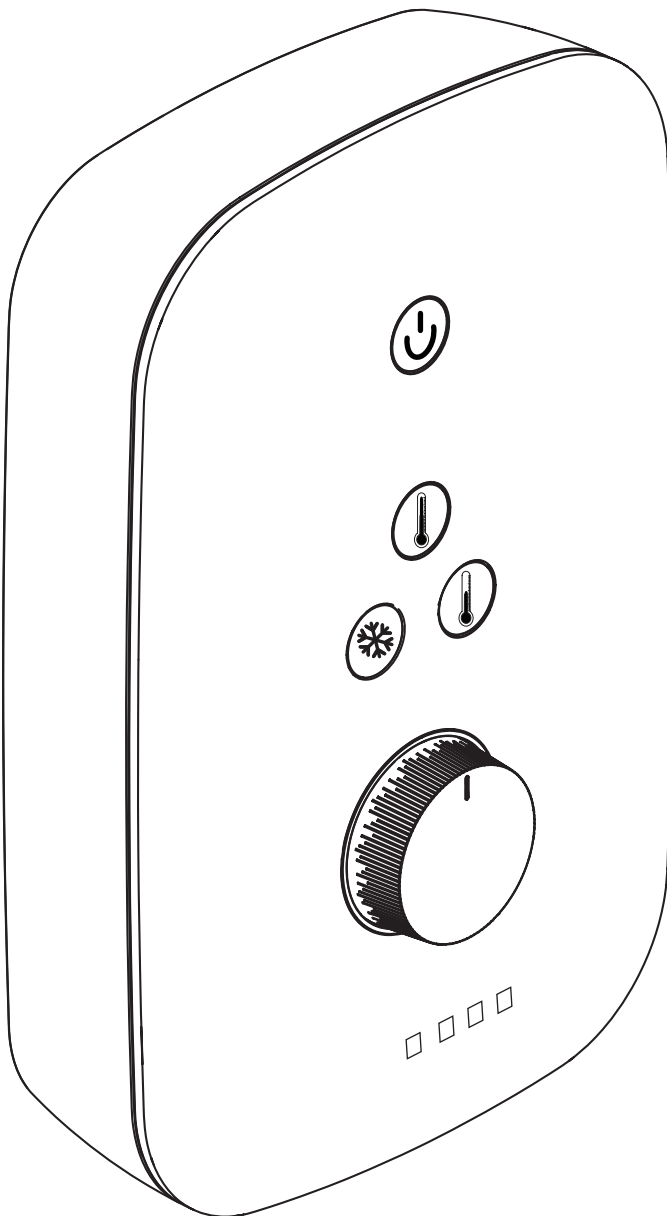


Installation Instructions and User Guide

Noctis & Solis Electric Showers



Models Covered:

SOL85 W, SOL95 W,
SOL105 W, NOC85 BC,
NOC95 BC, NOC105 BC,
NOC85 BG, NOC95 BG,
NOC105 BG

**Please keep this booklet for future
reference.**

Installer, when you have read these
instructions please ensure you leave
them with the user.

Contents

Welcome to your new Bristan Electric Shower.

Featuring a contemporary design with lots of fun features, Bristan's electric shower collection has been designed to be enjoyable to fit and to use.

It has also been designed and tested in the UK to all of the relevant British Standards.

These instructions contain all of the necessary installation and operating information, so please read them thoroughly and keep for future reference.

These instructions are for your guidance to a safe and successful installation which we recommend is carried out by a suitably qualified person and must conform with current I.E.E Wiring Regulations (BS7671) and Building Regulations (Part P and Part G).

Note: An Installation Template & Quick-Start Guide are provided separately with this shower.

Contents


• General Information	4
• Water Requirements	4
• Electrical Requirements	5
• Circuit Protection	5
• Cable Selection	5
• Product Features	6
• Specifications	8
• Fixing Your Shower to the Wall	9
• Plumbing Connections	10-11
• Electrical Connections	12-13
• Fixing Your Riser Rail to the Wall	14
• Commissioning - Testing the System	15
• Maintenance	16
• Troubleshooting	17
• Spare Parts	18-20
• Notes	21-23

Important Safety Information

- **Please read these instructions thoroughly and retain for future use.**

- All products manufactured and supplied by Bristan are safe provided they are installed, used correctly and receive regular maintenance in accordance with these instructions.

- **If you are in any doubt about your ability to install this product safely you must employ the services of an experienced qualified plumber/ electrically qualified person.**

-  **Warning:** Do not operate the shower unit if you suspect it is frozen. Do not site the shower unit where it might be subjected to freezing conditions.

- Do not install this shower unit in a room/environment without adequate ventilation or an extractor fitted. This is required to prevent condensation forming within the unit.

- Do not operate the shower unit if the showerhead or spray hose has been damaged or is blocked.

- Do not block the flow of water from the showerhead, by placing it (smothering it) on your hand or any other part of your body or foreign object.


- Do not operate the shower if the water stops flowing during use or if the water is leaking from the shower unit itself.

If this occurs, turn off at the mains electrical supply and refer to the Troubleshooting section (see Page 17) or contact Bristan Customer Services.

- Do not crush or kink the shower hose, this could damage the hose, cause leaks and activate the pressure relief device (PRD).

- Installations subject to regular and rapid changes in the water supply pressures should be avoided.

- This appliance must be permanently connected to the water mains and not connected by a hose-set.

-  **Warning:** This appliance can be used by children aged from 8 years and above and persons with reduced physical, sensory or mental capabilities or lack of experience and knowledge if they have been given supervision or instruction concerning use of appliance in a safe way and understand the hazards involved.

- Children shall not play with the appliance.

- Cleaning and maintenance shall not be made by children without supervision.

- Important: The shower unit must be switched off at the isolating switch (pull cord) when not in use.



Intertek

BEAB

**(British Electrotechnical
Approvals Board) Approval
of Safety.**



General Information

- Always switch off the power at the consumer unit and isolate the electrical supply before making any electrical connections or if you have to remove the cover of an installed unit.
- The unit must be mounted on the finished wall surface (usually tiled). Under no circumstances must you tile up to or seal around the unit as this may prevent air circulating and condensation escaping.
- This shower unit must not be modified* in any way as this will invalidate the guarantee.
* Except for top left pipe entry (see page 10) where the product has been designed to be modified by the installer.
- You must not fit a “water saving” handset (whereby the flow of water can be restricted or turned off) to the shower, otherwise this can result in scalding and/or unit failure.

Water Requirements

This fitting needs to be installed in accordance with the following Installation Requirements and Notes (IRN) to ensure they meet the requirements of the Water Supply (Water Fittings) Regulations 1999 and the Scottish Byelaws 2014.

The fitting shall be installed so that its outlet discharges above the spill-over level of any fixed appliance as indicated on the illustration below.

For backflow protection in premises or installations up to, and including Fluid Category 3 and 5.

The vertical distance of the outlet above the spill-over level shall be not less than 20mm or twice the diameter of the inlet pipe to the fitting, whichever is the greater. If the fitting cannot be installed as indicated it shall be installed with a backflow prevention arrangement suitable for the Fluid Category.

If the shower is to be installed in a hard water area, we recommend that an in-line scale inhibitor is fitted which will prolong the life of the shower. Please refer to your supplier for advice.



Warning:

The shower must not be installed in an area subject to freezing conditions. Do not use if you suspect the shower is frozen, this will damage the shower unit.

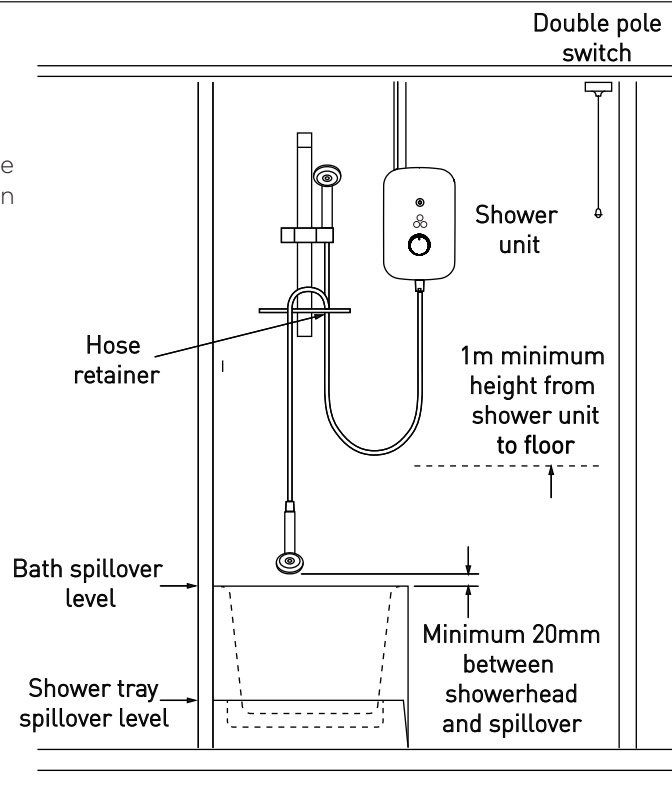
The shower must be connected to a mains water supply only with a minimum working inlet pressure of 0.07MPa (0.7bar) at a minimum flow rate of 8 litres per minute. The maximum static inlet pressure must not exceed 1.0MPa (10bar).

A minimum working inlet pressure of 0.1MPa (1bar) at a minimum flow rate of 8 litres per minute is recommended for full ThermoSafe™ performance.

If it is intended to operate the shower at pressures above the maximum stated, a suitable pressure reducing valve (PRV) should be used.

Water regulations stipulate that the showerhead be ‘constrained by a fixed or sliding attachment (hose retainer) so that it can only discharge water at a point not less than 20mm above the spill over level of the bath or shower tray or other fixed appliance.

If a showerhead can sit within a bath, basin or shower tray, you must fit a double check valve in the supply pipe work to prevent back siphonage. If the showerhead can sit within a WC then the air gap should be a type AUK3 not less than 20mm or twice the diameter of the inlet pipe to the fitting, whichever is the greater.



Electrical Requirements

The Electrical Installation and Circuit Protection of this shower must comply with current I.E.E Wiring Regulations (BS 7671) and Building Regulations (Part P). We recommend that this product is installed by a qualified electrician prior to use. The following notes are for guidance only.

Important: You must switch off the power at the consumer unit, isolate the electrical circuit and verify the earth before making any electrical connections.

The shower must only be connected to a 230-240V AC supply. The electrical rating of your shower is on the pack or on the rating plate label.

The shower must be connected to its own independent electrical supply. It must not be connected to a ring main, spur, power socket, or lighting circuit.

If you don't have a spare fuse way or the rating at the main fuse box is below 80A, you should seek advice from an electrician and may need a new consumer unit - specifically for the shower.

A separate and permanently connected cable must be taken from the consumer unit directly to the shower via a 45 Amp double pole switch with a minimum contact separation gap of 3mm in live (L) and neutral (N) poles.

The isolating switch can be a ceiling mounted pull cord switch within the bathroom or wall mounted in an adjacent room. The power switch must be easily accessible and identifiable as the supply to the shower.

Note: Voltage drop in the supply to the premises, due to heavy local demand, will affect the performance of your shower. To gain the optimum power possible from this shower unit try to find the shortest possible route from the consumer unit to the shower to run your cable.

Rating at 240V

Rating at 230V

8.5kW

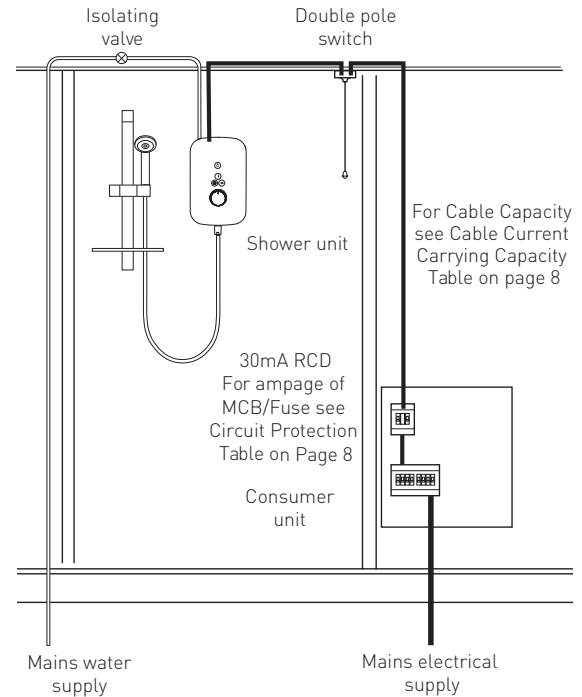
7.8kW

9.5kW

8.7kW

10.5kW

9.5kW



Circuit Protection

Cable Selection

Circuit Protection Table

Circuit Protection Device

Unit Rating (@ 240V)	MCB	Cartridge Fuse
8.5kW	40A	45A
9.5kW	40/45A	45A
10.5kW	45A	45A

It is a requirement that a residual current device (RCD) formerly known as an earth leakage circuit breaker (ELCB) with a tripping current of 30mA, is incorporated in the circuit. This may be part of the existing consumer unit or a separate unit.

For closed circuit protection DO NOT use a rewirable fuse. Instead use a suitably rated Miniature Circuit Breaker (MCB) or Cartridge Fuse.

Please refer to the Circuit Protection Table.

Cable Current Carrying Capacity Table

(for Twin and Earth PVC Insulated Cable)

Current Carrying Capacity

In an insulated wall	In conduit or trunking	Clipped direct or buried in a non insulated wall
6mm ²	6mm ²	6mm ²
32A	38A	46A
10mm ²	10mm ²	10mm ²
43A	52A	63A

Note: Cable selection is dependant on derating factors

The current carrying capacity of the cable must be at least that of the shower Circuit Protection Device.

Please refer to the Cable Current Carrying Capacity Table.

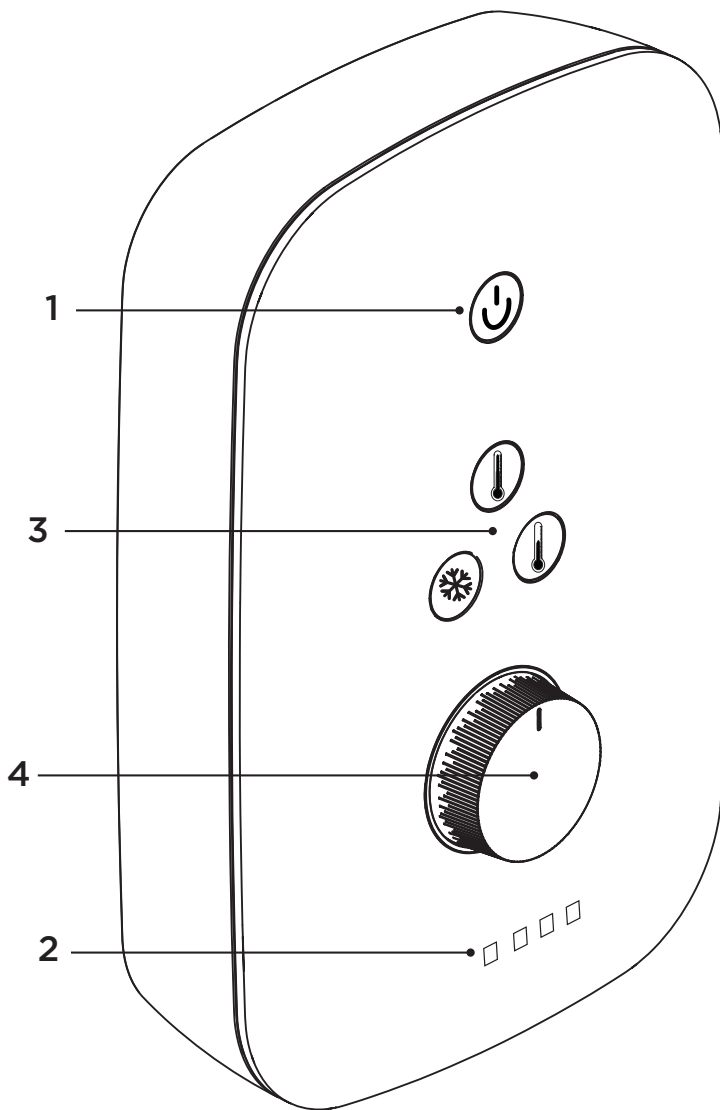
On installation of the appliance the impedance measurement of the Neutral and Earth back to the supply source is to be less than 1.0 Ohms. This is in line with the general installation requirements of the UK Network and will generally present no problem within the UK Network.

In domestic installations you must ensure that the electrical supply and existing fuse board are adequately rated.

Do not turn on the electrical supply until the plumbing has been completed and the shower cover re-fitted.

Need help? Give us a call on **0330 026 6273** and speak to one of our trained advisors.

Product Features



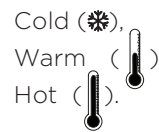
1. Touch Button STOP/START Button

Press once to start the shower, press once again to stop the shower.

2. Stand-By Mode indicated by the lit STOP/START Button being on or the lights at the bottom showing, denoting the shower is powered and ready to start.

3. Temperature Setting Controls

Set Temperature Range:



4. Temperature Adjustment Control

Adjustable temperature control.

Temperature Control Device

The Temperature Control Device will activate when the temperature is set too high and the water inside the water heater gets too hot. The Temperature Control Device will switch off the power to the heating elements. Once the unit cools down to a safe temperature the elements will come on again and reheat the water within the water heater and the whole cycle will repeat itself until the temperature is manually reduced.

Warm-Up Mode

The lit STOP/START Button or the lights at the bottom will flash as the water heats up. Once the light stops flashing and stays on, the shower has reached your selected temperature and is ready to use.

Phased Shut Down & Indication

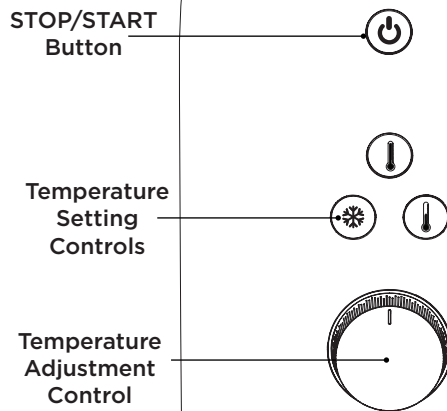
When the shower is turned off, water will continue to flow and the lit STOP/START Button or the lights at the bottom will flash for a short period while the heater cools down to approximately 30°C, before automatically turning off. This ensures the shower is ready for the next user and helps reduce the build-up of limescale in the heater.

Thermostatic Technology

When the shower is started, it will wait a short time for the shower outlet temperature to stabilise to establish the user's desired water temperature. The shower will then monitor the water temperature and adjust the heating power to compensate for rises in temperature, resulting in safe showering temperatures.

Operating the Shower

Operating the Controls

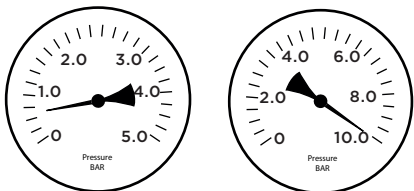
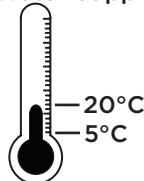


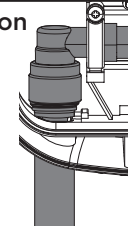



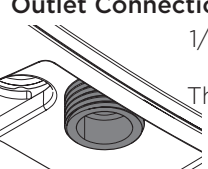


IMPORTANT

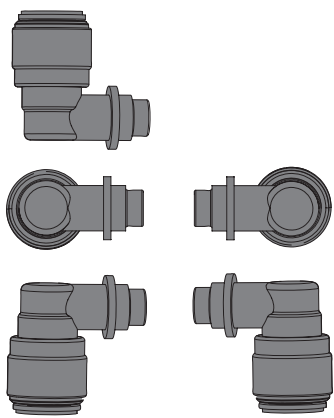
Please ensure the commissioning procedure has been carried out. If you did not fit this shower yourself and you are about to use it for the first time, check with the installer to ensure he or she has ran the commissioning procedure as described on page 15.

Control Type	Control	Remember
STOP/START Button	Press unlit 	It is always advisable to test the water temperature with your hand before stepping under the shower. Please note that there is always a delay of a few seconds between you selecting a temperature setting and the selected water temperature starting to flow. IMPORTANT: Do not use the isolation switch (pull cord) to stop the shower, use the STOP/START button.
	Press whilst lit 	
Temperature Setting Controls	COLD - NO Heater Elements ON 	During periods of high ambient temperatures (e.g. hot summer days), it may be necessary to select a lower temperature setting in order to achieve your ideal shower temperature.
	WARM - 1 Heater Element ON 	
	HOT - 2 Heater Elements ON 	
Temperature Adjustment Control	COLD (increased flow) 	When adjusting the temperature, including during first start up; do not rapidly turn the dial to Max Temp to increase the temperature. Instead, use small changes and wait for the temperature to stabilise before changing again. If the user adjusts the Temperature Setting or Temperature Adjustment Controls, the shower will again wait for the user's new desired temperature to stabilise. The shower will then resume its monitoring and compensation of water temperature
	HOT (reduced flow) 	
Adjusting the Showerhead	Spray 	The spray head mode may need to be altered during winter conditions (low flow conditions) to achieve a satisfactory spray.
	Jet Spray 	
	Combination Spray 	

Specifications

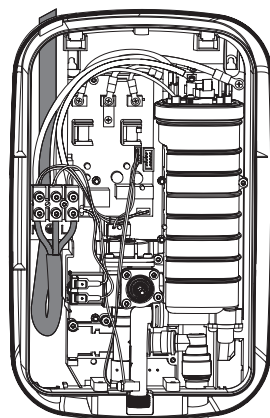
Specifications	Inlet Water Temperature	Recommended Usage		Inlet Connection
Working Pressures Min: 0.7 Bar Max: 10.0 Bar  Maximum Static Pressure: 10.0 Bar	Cold Water Supply  Min: 5°C Max: 20°C ⚠ IMPORTANT Suitable for mains cold water pressure only	Domestic 	Heavy 	15mm Push-Fit 
		Light 	Healthcare 	
		Multi-Function Handset 		Outlet Connection 1/2" BSP Male Threaded 

Water Inlet Entry Points



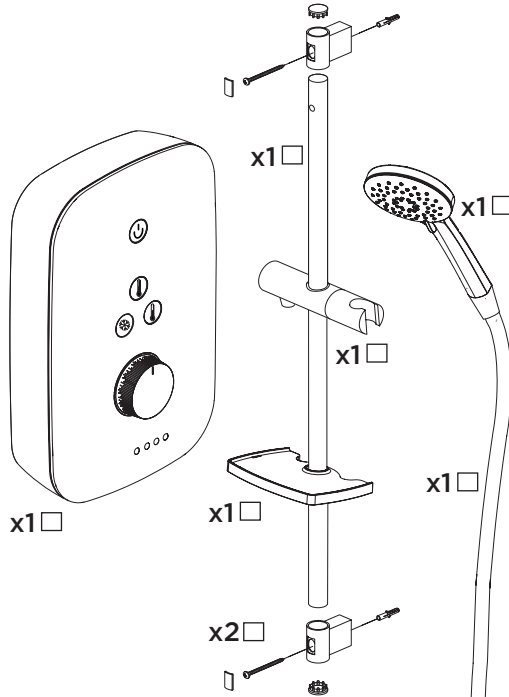
Left hand side: Top, Bottom, Rear (bottom)
Right hand side: Bottom, Rear (bottom)

Electrical Cable Entry Points



Left hand side: Top, Bottom, Rear (bottom)
Right hand side: Bottom, Rear (bottom)


Pack Contents



- x1 [Unit]
- x1 [Shower Tray]
- x1 [Shower Panel]
- x1 [Shower Head]
- x1 [Shower Riser]
- x1 [Shower Mixer]
- x2 [Shower Hose]
- x1 [Shower Wand]
- x1 [Shower Head]
- x1 [Shower Tray]
- x1 [Shower Riser]
- x1 [Shower Mixer]
- x1 [Shower Hose]
- x1 [Shower Wand]
- x1 [Shower Head]

Why not Visit our Youtube Channel?

To see our latest how-to videos, simply scan the QR code with your smart phone or tablet.

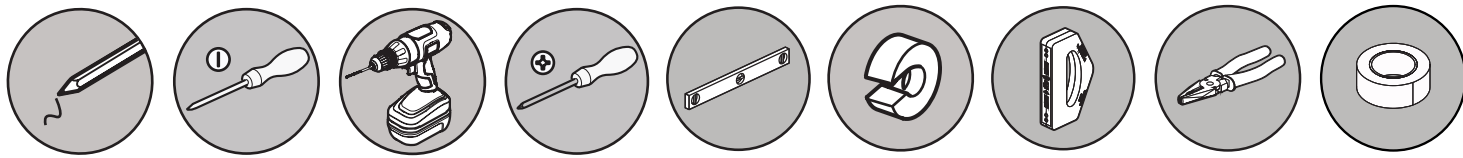


Alternatively visit www.youtube.com/bristantv

Product Fiche

Model	SOL85 W	SOL95 W	SOL105 W	NOC85 BC/BG	NOC95 BC/BG	NOC105 BC/BG
Declared Load Profile	XS	XS	XS	XS	XS	XS
Water Heating Energy Efficiency Class	A	A	A	A	A	A
Water Heating Energy Efficiency (%)	38.6	38.5	38.5	38.6	38.5	38.5
Annual Electricity Consumption (kWh)	478	479	479	478	479	479
Sound Power Level (dB)	15	15	15	15	15	15

Tools You'll Need



- Pencil
- Flat-head Screwdriver
- Drill
- Cross-head Screwdriver
- Spirit Level
- Pipe Cutter
- Pipe & Wire Detector
- Pliers
- Masking Tape

8 Need help? Give us a call on **0330 026 6273** and speak to one of our trained advisors.

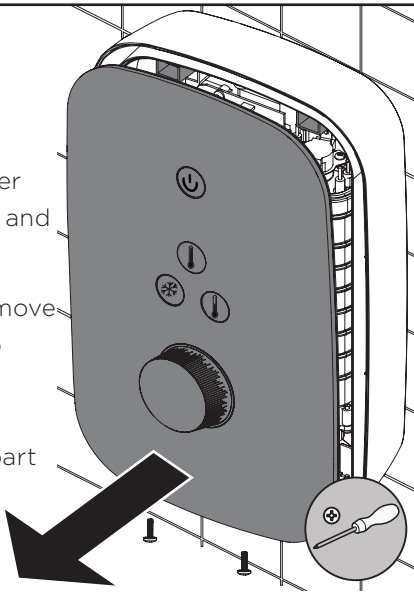
Fixing Your Shower to the Wall

Important: Under no circumstances should this shower unit be recessed, tiled up to or sealed around the unit as this may prevent air circulating and any condensation escaping. It must be fitted onto the finished wall surface.

When working near a basin, bath or shower insert plug or cover waste to prevent losing small parts.

Take care not to drop tools/equipment into basin, bath or shower during shower installation.

1

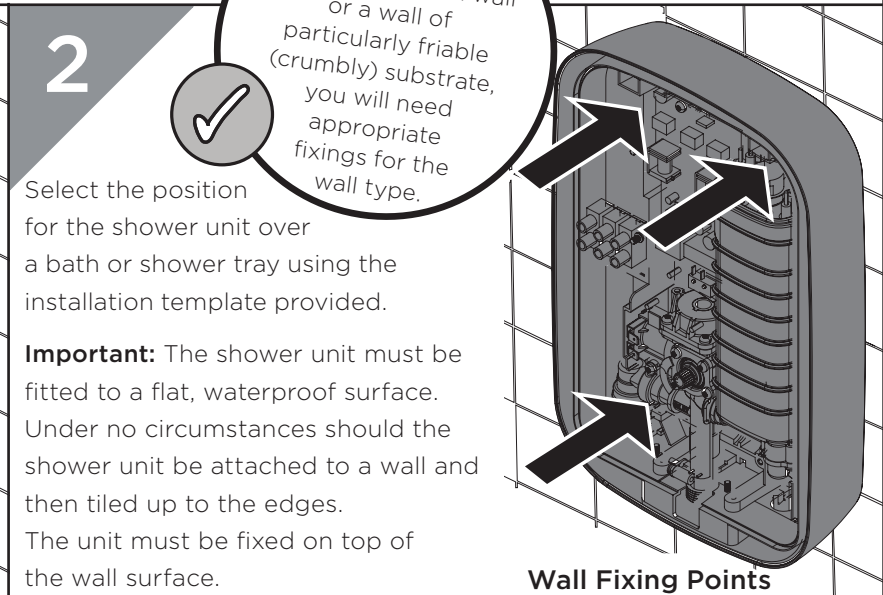


Remove the cover retaining screws and lift off the cover.

Do not try to remove the control knob from the cover.

It is an integral part of the cover and must not be removed.

2



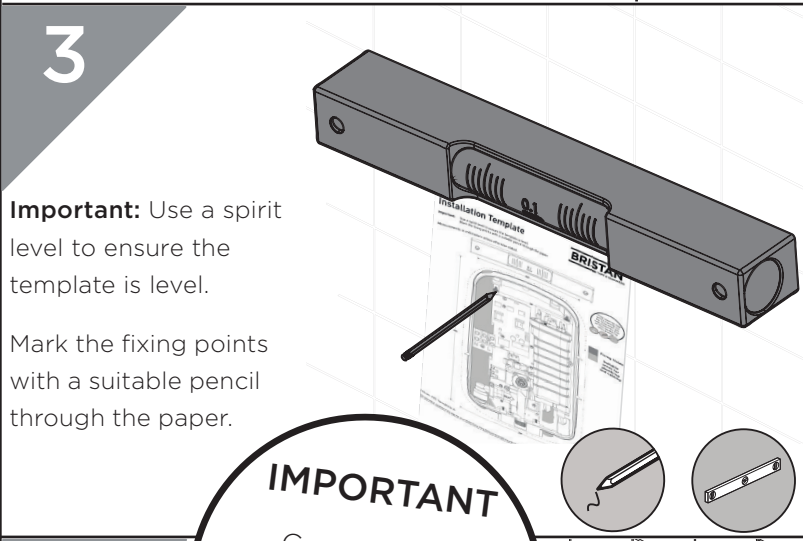
REMEMBER
If you are fitting the unit to a partition wall or a wall of particularly friable (crumbly) substrate, you will need appropriate fixings for the wall type.

Select the position for the shower unit over a bath or shower tray using the installation template provided.

Important: The shower unit must be fitted to a flat, waterproof surface. Under no circumstances should the shower unit be attached to a wall and then tiled up to the edges. The unit must be fixed on top of the wall surface.

Wall Fixing Points

3

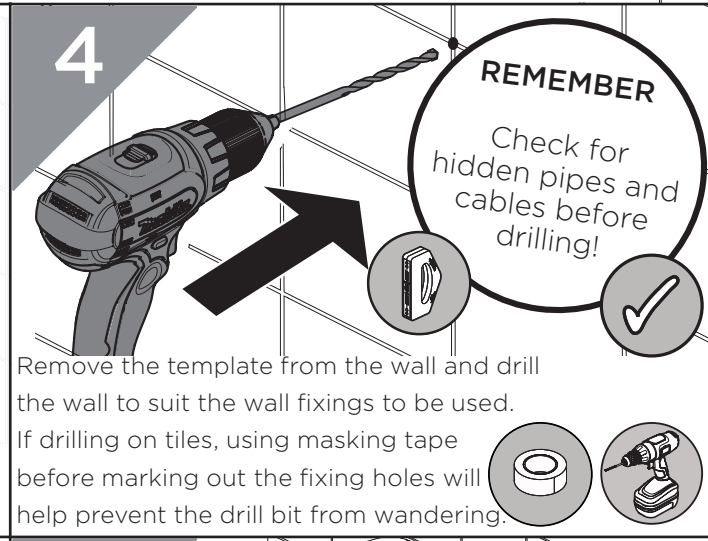


Important: Use a spirit level to ensure the template is level.

Mark the fixing points with a suitable pencil through the paper.

IMPORTANT
Complete the plumbing and electrical connection steps before moving to Step 6

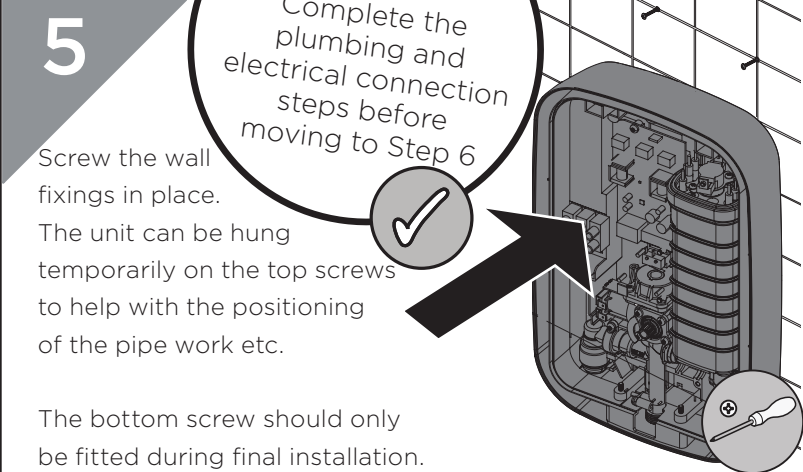
4



REMEMBER
Check for hidden pipes and cables before drilling!

Remove the template from the wall and drill the wall to suit the wall fixings to be used. If drilling on tiles, using masking tape before marking out the fixing holes will help prevent the drill bit from wandering.

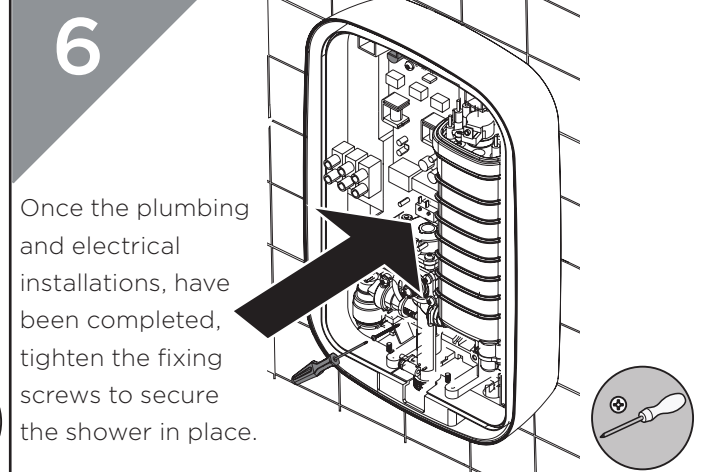
5



Screw the wall fixings in place. The unit can be hung temporarily on the top screws to help with the positioning of the pipe work etc.

The bottom screw should only be fitted during final installation.

6



Once the plumbing and electrical installations, have been completed, tighten the fixing screws to secure the shower in place.

Plumbing Connections

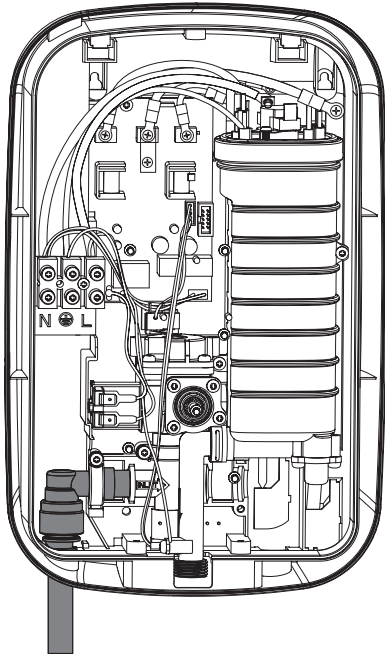
The pipe work can enter the shower unit from 6 different positions:
Bottom left, Bottom right, Top left, Rear left, Rear right or Rear left - using an elbow.

Select the inlet option most suited to your situation.

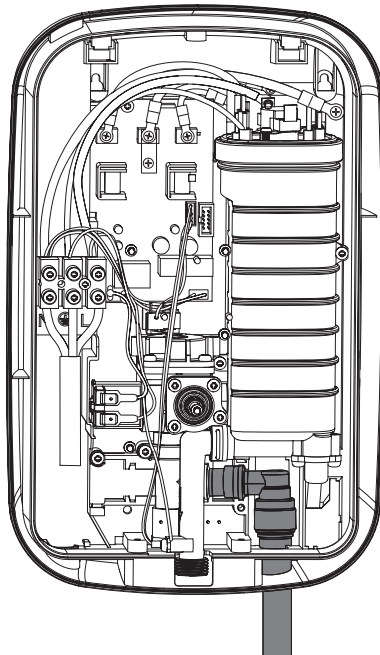
IMPORTANT

An additional independent stop valve complying with the current water regulations must be fitted in the mains water supply as a means of isolating the supply to the unit for servicing and/or maintenance work.

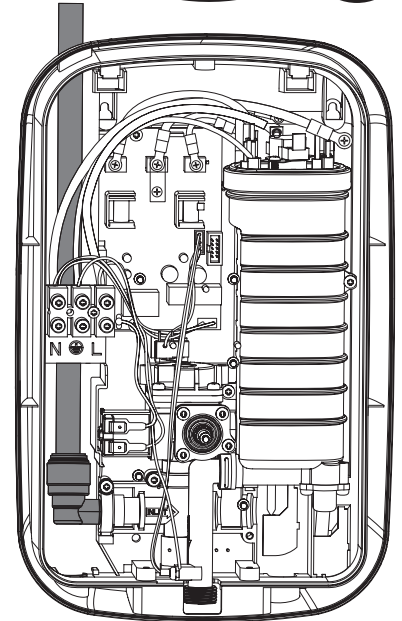
Without Rear Access



Bottom left inlet entry



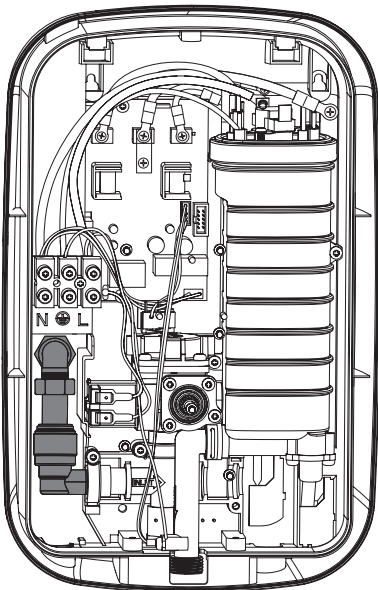
Bottom right inlet entry



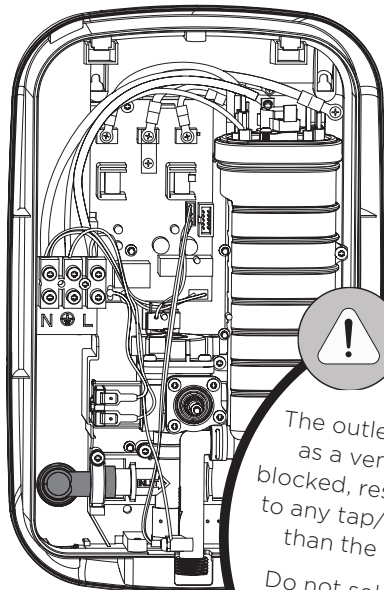
Top left inlet entry

Without Rear Access

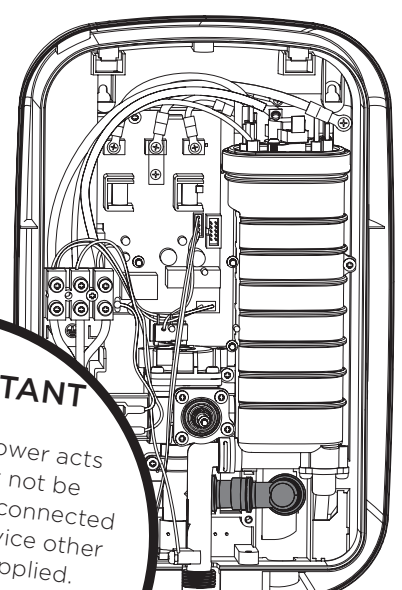
Rear Access Required



Rear left inlet entry -
using a 15mm compression elbow
(not supplied), where NO rear
access is available



Rear left inlet entry -
requiring rear access



Rear right inlet entry -
requiring rear access



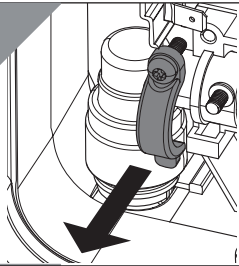
IMPORTANT

The outlet of the shower acts as a vent and must not be blocked, restricted or connected to any tap/closure device other than the handset supplied.

Do not solder within 300mm of the shower unit or allow solder or flux to fall onto the casings.

Plumbing Connections

1



The shower unit should come supplied with the inlet connection set for a bottom left position. In order to change elbow position, unfasten the screw securing the inlet connector elbow clamp, remove the tab from the slot and keep until the inlet pipe is repositioned.



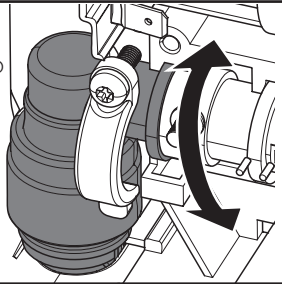
2

For top left position - Go to Step 3
For rear left position - Go to Step 4
For bottom or rear right positions - Go to Step 5

3

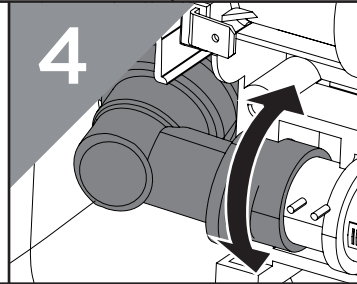
To change the connection to a top left position, swivel the inlet connector elbow from facing downward to facing upward.

Skip to step 8.



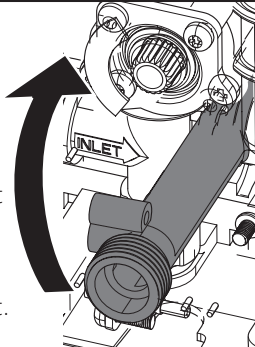
4

To change the connection to a rear position, swivel the inlet connector elbow from facing downward to facing inwards. If the pipe work entry is from the rear, ensure that there is space left around the push-fit elbow for future servicing or alternatively, that access is possible from the rear. **Skip to step 7.**



5

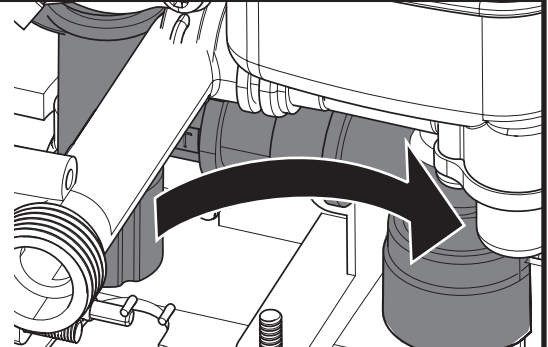
Lift the outlet connection up out of the way from its position at the bottom of the unit.



6

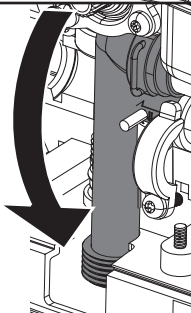
Pull the inlet connector elbow towards you and over to the right hand side with the inlet entry point facing down.

Go to Step 4 for rear right position.



7

Replace the outlet connection.



8

Refit the clamp tab into the slot and refasten the screw.

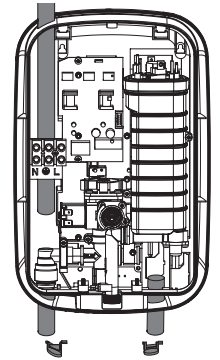
Note: The clamp turns upside-down to fasten on the right.



10

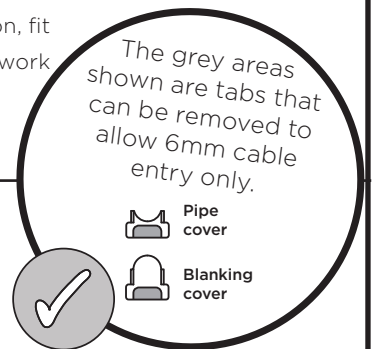
Top left entry:

Depending on your choice of cold-water entry direction, you may need to remove thin areas of plastic cover to facilitate pipe work entry down through the top left of the unit.



Bottom entry:

Depending on your choice of cold-water entry direction, fit 'hole covers' to the pipe work slots at the bottom of the unit.



9

Connect the mains water supply to the inlet elbow of the shower using 15mm copper pipe (BS EN1057) or 15mm plastic pipe (with insert).

The inlet pipe connection into the elbow is a self-seal push-fit type.

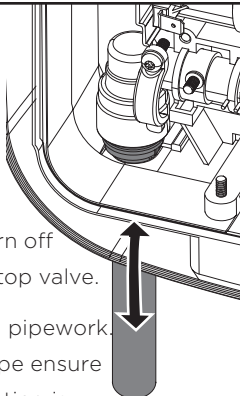
It is essential that all pipe work is flushed through to remove debris and swarf that could otherwise damage the unit.

All burrs and rough edges must be removed from the end of the pipe before connecting.

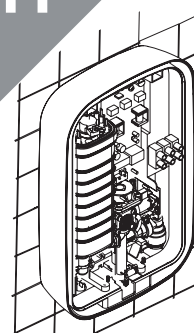
Once the pipe work has been flushed through, turn off the water supply at the stop valve.

Do not use stainless steel pipework. If using chrome plated pipe ensure that the first 25mm of plating is carefully removed to allow push-fit fitting to grip the inlet pipe.

To release the pipe work from the push-fit type fitting, press and hold the collet against the elbow and pull the pipe out of the elbow.



11



Turn on the water supply and inspect for water leaks at the shower inlet.

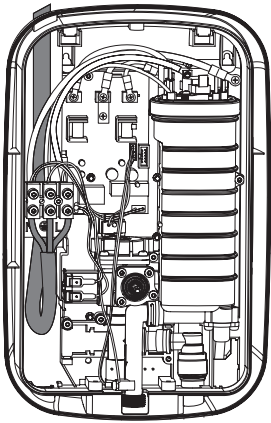
Once inspected-turn off the water supply.

Electrical Connections

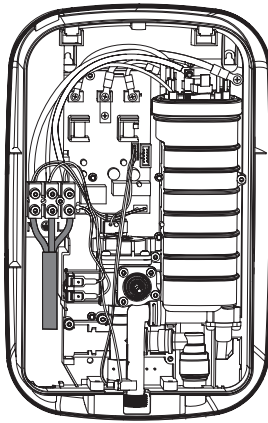
All cables must conform to the relevant tables within the current I.E.E Wiring Regulations (BS 7671). The electrical supply cable must be either recessed or in a conduit/trunking as detailed in the current I.E.E Wiring Regulations (BS 7671). Refer to page 8.

Select the cable inlet option most suited to your situation.

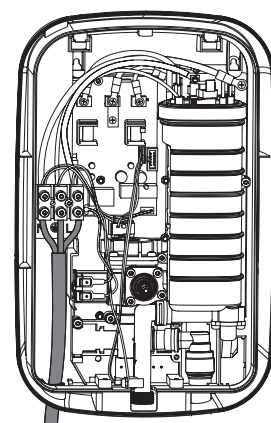
Left Cable Entry



Top left cable entry

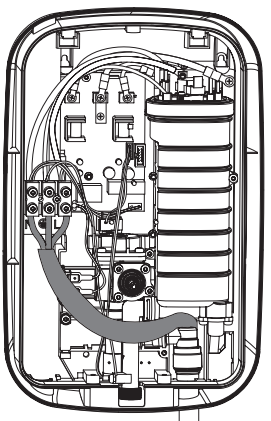


Rear bottom left cable entry

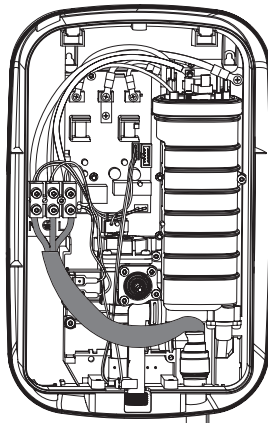


Bottom left cable entry *

Right Cable Entry



Rear bottom right cable entry



Bottom right cable entry*

Note: Depending on cable size and entry point used it may be necessary to strip back outer cable sheath sufficiently to allow cables to be directed to the terminal connection block within the unit.

***Note:** When feeding cable through bottom entry points remove highlighted grey tab on pipe/blanking cover if using 6mm cable.

For 10mm cable remove the pipe/blanking cover entirely.



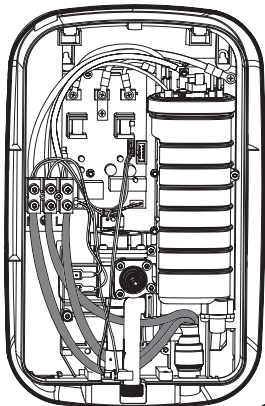
Pipe cover



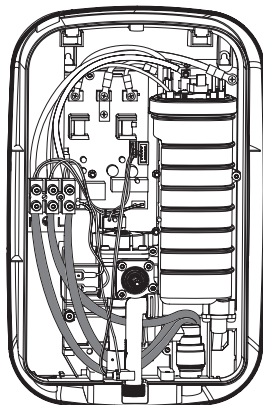
Blanking cover



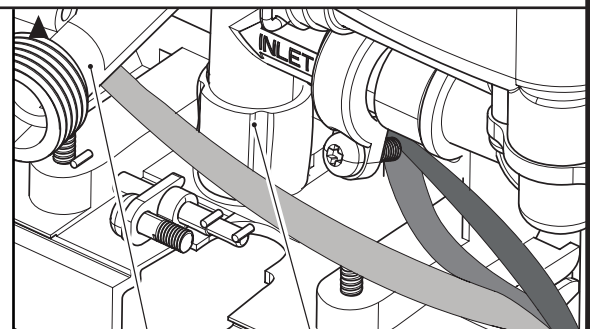
Unsheathed Right Cable Entry



▲ Rear bottom right cable entry



▲ * Bottom right cable entry



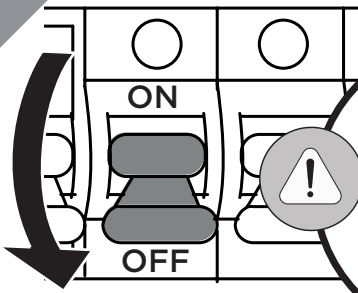
Outlet

Filter housing

▲ **Note:** We recommend that the blue (neutral) and brown (live) cables are fed under the filter housing. Position the earth cable under the outlet on top of the filter housing.

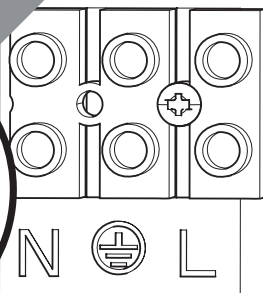
Electrical Connections

1 Switch OFF the electricity supply at the consumer unit.



IMPORTANT
Do not switch on power to the shower unit until the cover and the cable to connection have been fully fitted.

2 The power cable entry point is shown on the diagram. Electrical connections are to be made at the terminal block as follows:



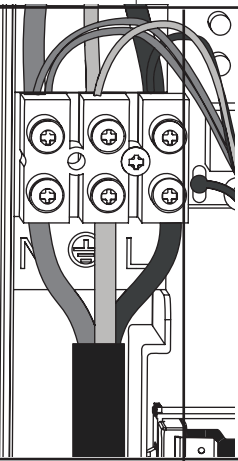
- Earth cable to the terminal marked with the Earth symbol
- Neutral cable to the terminal marked **N**
- Live cable to the terminal marked **L**



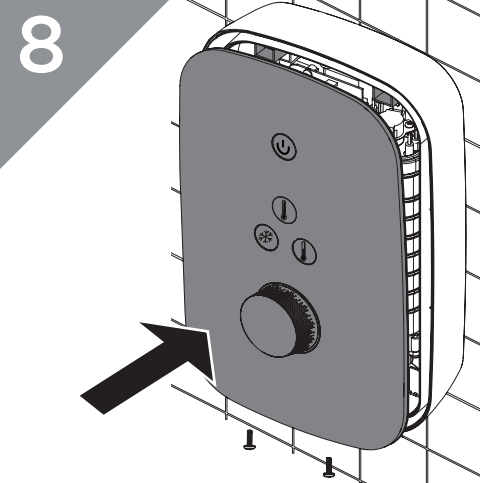
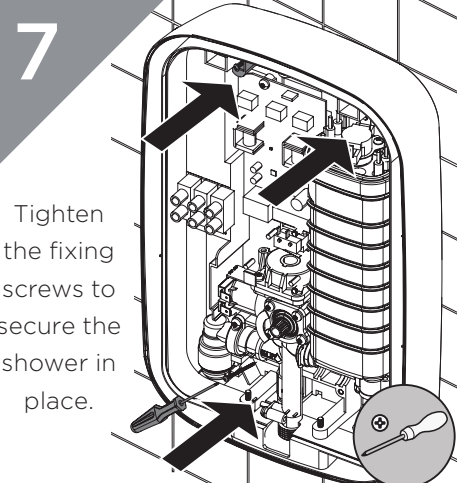
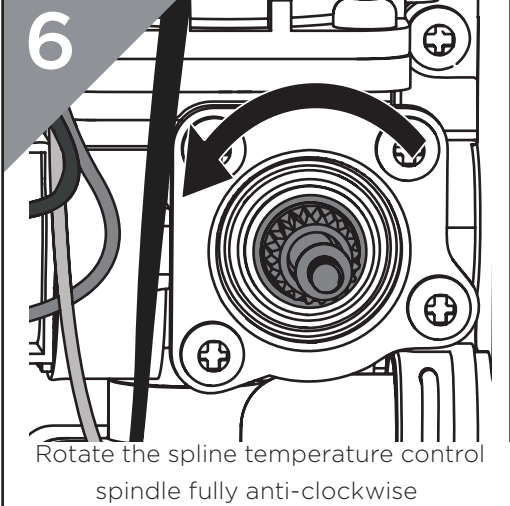
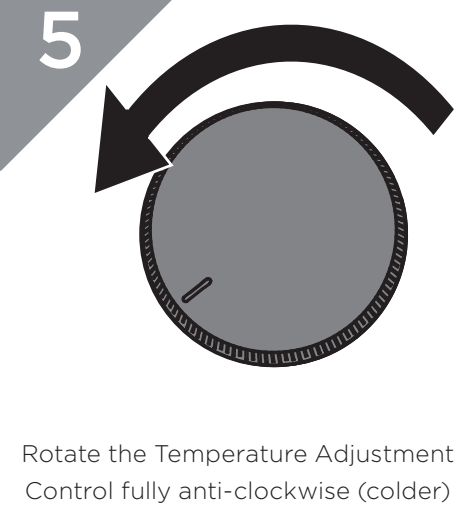
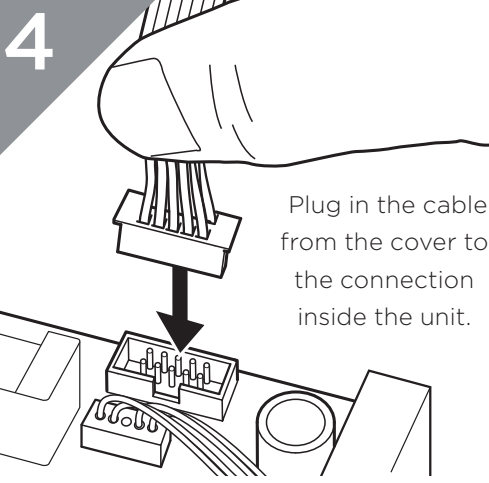
3 **Important:** Terminals must be fully tightened onto the cables ensuring that no cable insulation is trapped under the screws. It must be metal to metal.

Loose connections can result in the cables overheating; ensure all terminal screws are fully tightened.

The supply cable earth conductor must be sleeved.
The supply cable must be secured by routing through conduit or in trunking or by being embedded in the wall in accordance with current I.E.E Regulations.



REMEMBER
This appliance and all connecting metal pipework must be earthed. Ensure that an earth continuity conductor is securely and permanently connected to all exposed metal parts of other services and appliances within the room where the shower is installed.



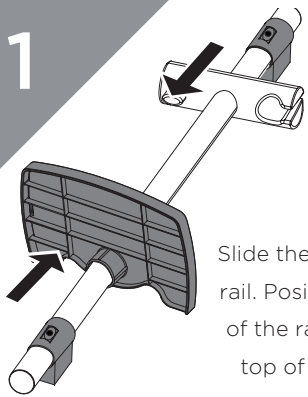
Slight adjustment of the control knob may be required to locate cover correctly.

Locate cover in position ensuring wiring is not trapped and secure using the cover fixing screws supplied.



Fixing Your Riser Rail to the Wall

1

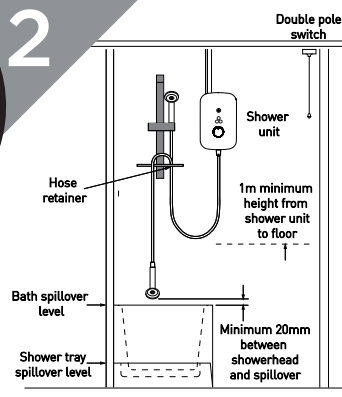


Slide the shelf onto the bottom end of the rail. Position a wall bracket onto each end of the rail, ensuring the hole through the top of the rail lines up with the hole in the wall bracket.

REMEMBER

Check Pack Contents (pg 8) prior to installation!

2

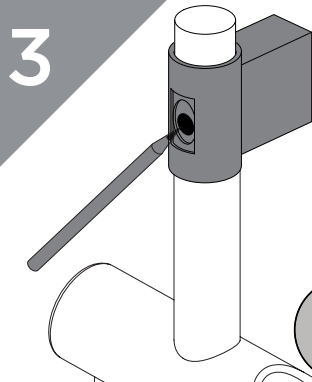


Position the rail on the wall, bearing in mind the different heights of people likely to use the shower and the length of the hose when connected to the shower and passed through the retaining hole in the soap dish.

Important:

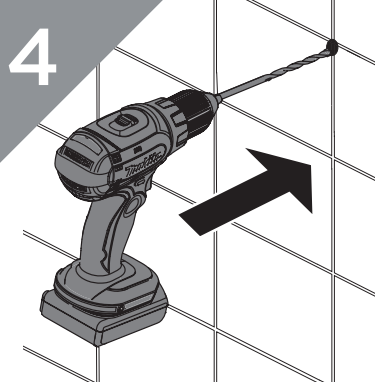
Use a spirit level to ensure the riser rail and markings are vertical.

3



Mark the top fixing point with a suitable pencil through the riser rail hole.

4

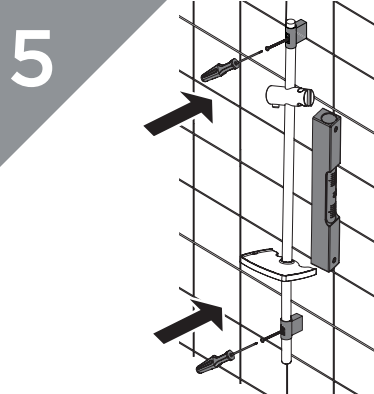


Drill the wall at the marked fixing position to suit the wall fixings to be used.

REMEMBER

Check for hidden pipes and cables before drilling!

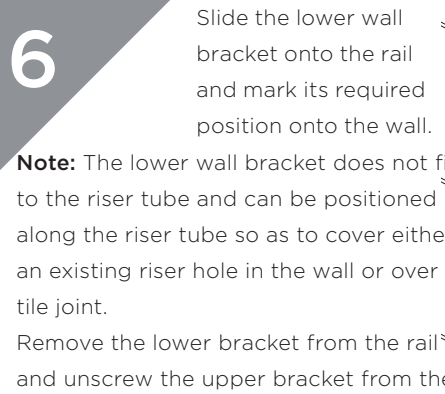
5



Loosely fix the rail (with the large hole on the side shown) and wall bracket.

Check that the rail is hanging vertically using a spirit level.

6

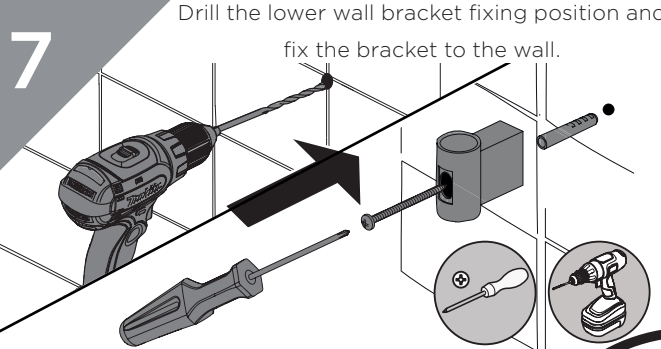


Slide the lower wall bracket onto the rail and mark its required position onto the wall.

Note: The lower wall bracket does not fix to the riser tube and can be positioned along the riser tube so as to cover either an existing riser hole in the wall or over a tile joint.

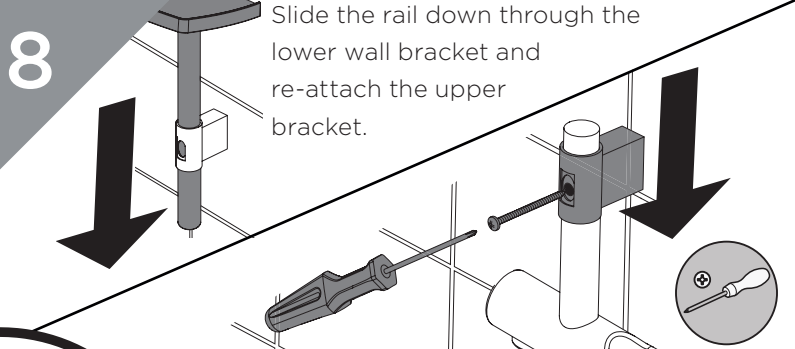
Remove the lower bracket from the rail and unscrew the upper bracket from the wall.

7



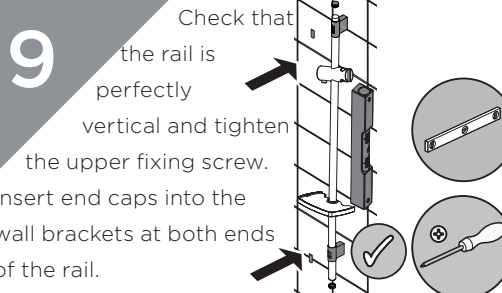
Drill the lower wall bracket fixing position and fix the bracket to the wall.

8



Slide the rail down through the lower wall bracket and re-attach the upper bracket.

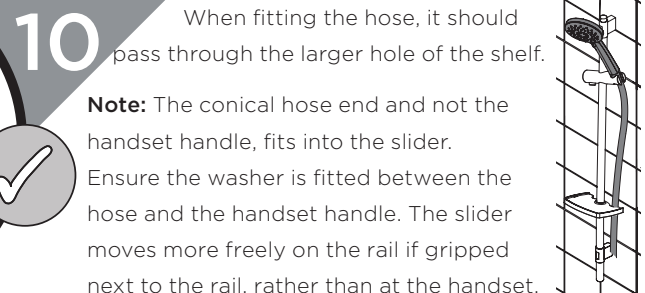
9



Check that the rail is perfectly vertical and tighten the upper fixing screw. Insert end caps into the wall brackets at both ends of the rail.

The Slider and shelf should not be removed from the rail during fitting. The underside of the slider has a button to release the slider and allows the height to be adjusted.

10



When fitting the hose, it should pass through the larger hole of the shelf.

Note: The conical hose end and not the handset handle, fits into the slider. Ensure the washer is fitted between the hose and the handset handle. The slider moves more freely on the rail if gripped next to the rail, rather than at the handset.

Commissioning - Testing the System

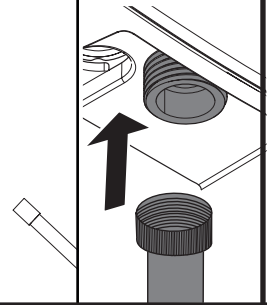


Warning:

Before using the shower for the first time, it should receive a final flush through and filter clean to remove any remaining debris that may be in the pipework or hose and to ensure the heater unit contains water before the electrical elements are switched on.

1

Remove the showerhead from the hose and if not already attached, attach the hose to the outlet port and ensure that the outlet hose mesh filter is fitted.

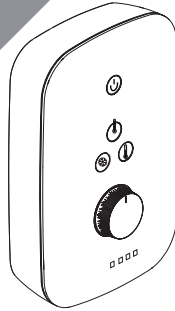


2



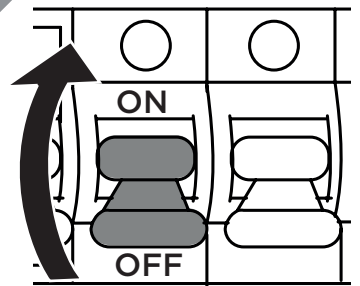
Rotate the Temperature Adjustment knob fully clockwise to minimum flow. This is to prevent the PRD activating when water is first turned on.

3



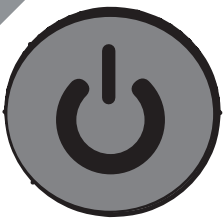
Turn on the water supply and inspect for water tightness.

4



Turn on the mains electrical supply to the shower.

5



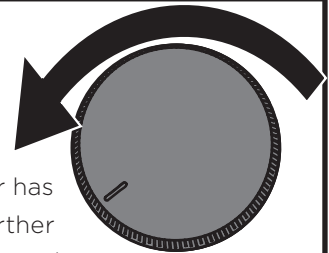
Press the STOP/START button

6



Set the Temperature Setting to (❄️). Wait approximately 30 seconds for the water to flow correctly.

7



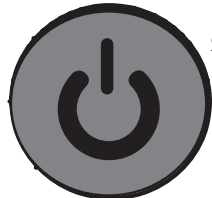
Once the water has flowed for a further 10 seconds, rotate the temperature adjustment control from the fully clockwise position to the fully anti-clockwise position.

8



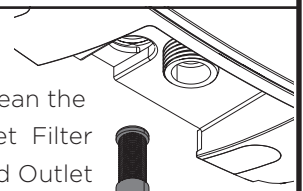
Repeat this procedure several times until a continuous flow of water (with no air bubbles) is obtained from the shower hose.

9



Once you are satisfied that the system has been flushed through thoroughly, press the STOP/START button to stop the flow.

10



Clean the Inlet Filter and Outlet Hose Mesh Filter to remove any debris from the flush - see Maintenance Section.

11



Re-fit the showerhead to the hose, insert hose rubber washer to seal the joint; The showerhead is attached to the riser rail by inserting the conical hose end into the movable slider.

Your shower is now ready for first use.



REMEMBER

Your Bristan showerhead has a rub-clean pad for easy cleaning. Simply rub your fingers across the rubber spray jets regularly before you turn the shower on to remove any scale or debris.

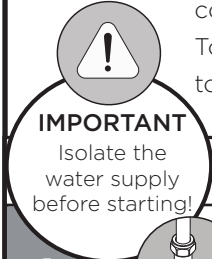
Maintenance

General Cleaning

Do not use abrasive cleaners or solvents to clean this unit. The shower unit and accessories should be cleaned with a soft, clean, damp cloth.

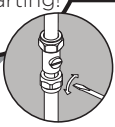
The hardness of the water in your area will determine how often you should clean your showerhead. Build up of scale in particularly hard water areas combined with constant use means you may need to clean your showerhead once a week.

To ensure continued performance of your electric shower the showerhead needs to be regularly descaled.



Cleaning the Inlet Filter

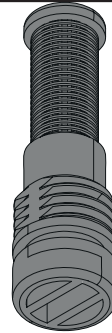
1
Remove the inlet filter by turning anti-clockwise using a large flat-blade screwdriver.



A small amount of water will be discharged when filter is removed - this is normal

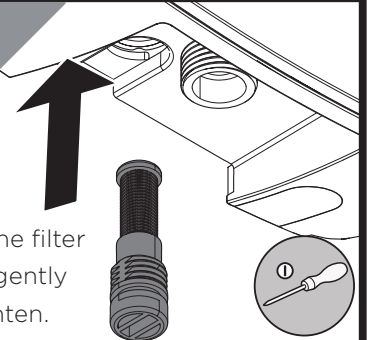
2

Wash under clean running water.



3

Refit the filter and gently tighten.

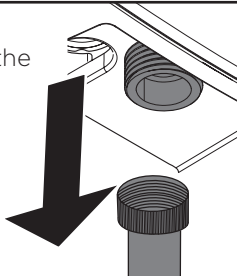


Cleaning the Outlet Hose Mesh Filter

1
Unscrew the hose.

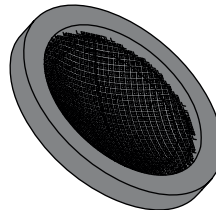


Unscrew the hose.



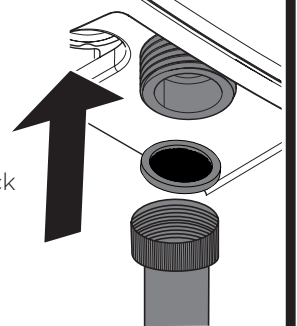
2

Rinse under cold running water.



3

Place filter back in the hose reconnect to outlet.

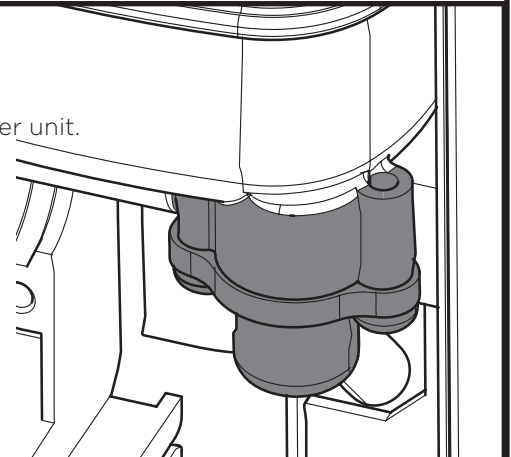


Pressure Relief Device (PRD)

A pressure relief device is designed into this shower. The pressure relief device provides protection should an excessive build up of pressure occur within the shower unit. It is advisable to position the shower unit over a bath or shower tray in the unlikely event the device should discharge.

Do not use the shower with a damaged or kinked shower hose or blocked handset. This may trigger the PRD which will discharge through the vent in the bottom right hand corner (shown).

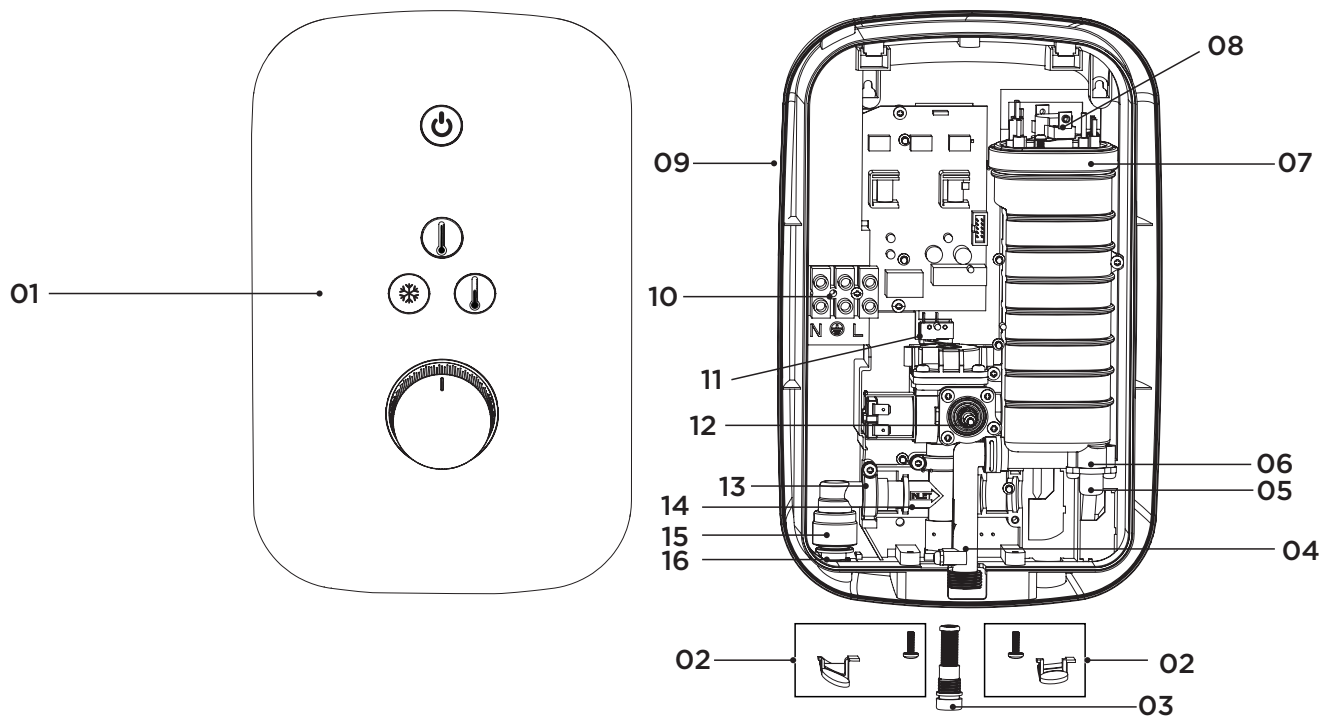
In the event of the PRD activating, water will be discharged from the vent. If this happens, switch off the electricity and water supplies to the shower and contact Customer Services (see Page Footer).



Troubleshooting

Symptom	Likely Cause(s)	Action/Remedy
No water flow.	Water isolating valve in off position	Turn on
	Outlet hose mesh filter blocked.	Remove the outlet hose from the shower, remove mesh filter and clean.
	Filter blocked.	Turn off water supply, remove filter and clean.
	Power supply not on.	Turn on.
Water temperature too hot.	Insufficient water flowing through the shower.	Clean the handset. Increase the flow by turning the Temperature Adjustment Control to cooler setting. Change the Temperature Setting Control to Warm or Cold.
Shower runs hot and cold during use.	Water pressure is at minimum requirement.	Check running pressure (minimum of 0.7bar). Wait until pressure increases.
Shower temperature cycles between hot and cold.	Shower temperature is set too high causing the thermal cut out to turn off the heating elements to reduce the water temperature.	Turn shower temperature control anti-clockwise to reduce the water temperature.
Water from pressure relief outlet-PRD activated.	Obstruction in hose or handset.	Call Customer Services.
Water runs but no heat.	Low Pressure water supply to shower unit.	Turn off unit and wait until water pressure increases before using again.
	Low water flow through shower handset.	Increase water flow rate by turning temperature control to cooler setting.

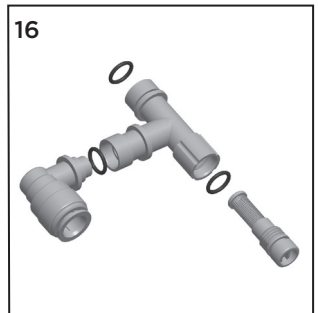
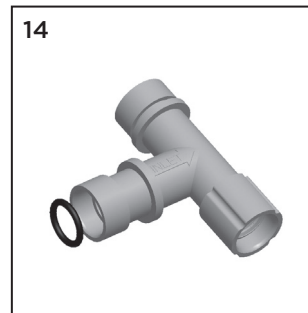
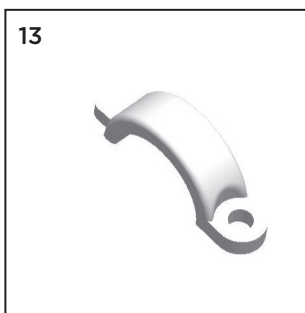
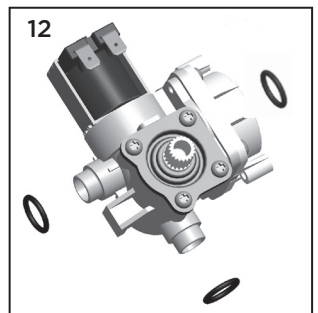
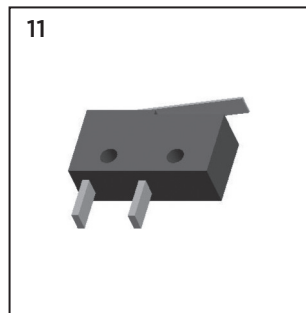
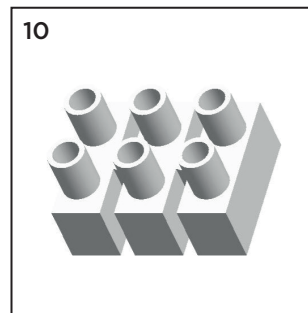
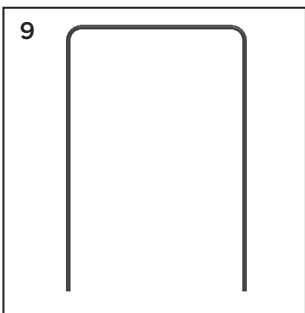
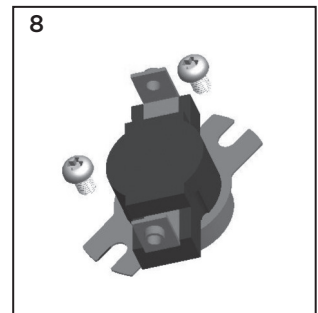
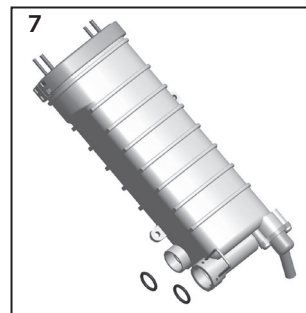
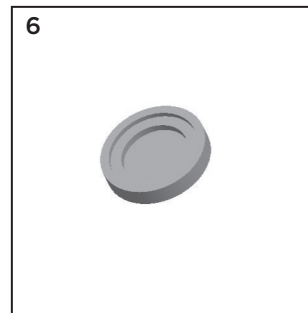
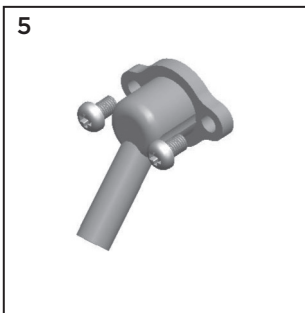
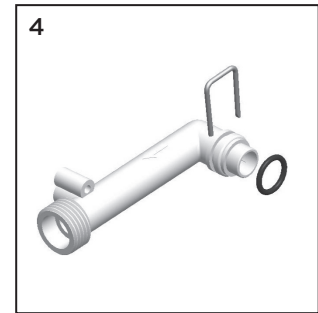
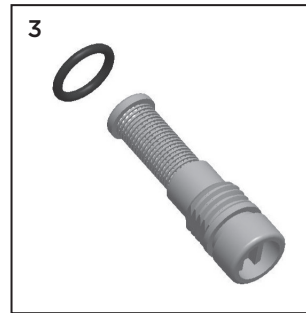
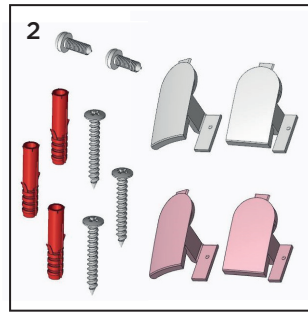
Spare Parts



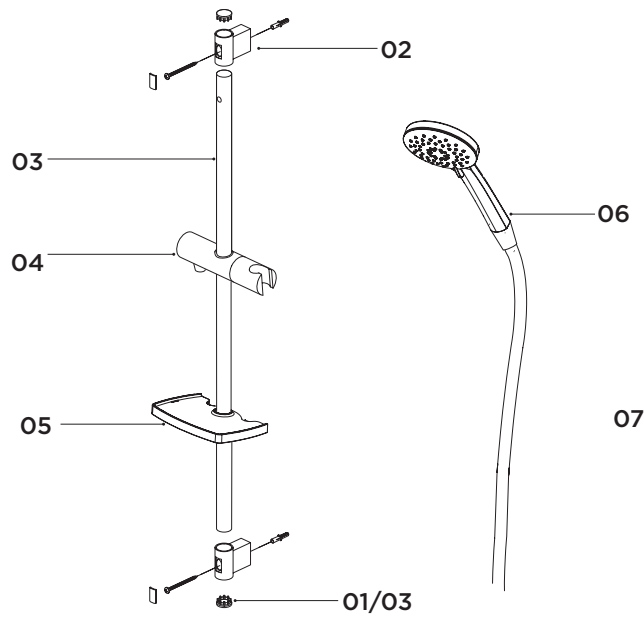
No.	Part No.	Description	Parts List	Quantity
01	SOL-COV-W	Solis Front Cover including PCBs	1x Assembled Front Cover, 1x Umbilical Cord, 1x Power PCB, 1x Control PCB & 1x Rubber Seal	1
01	NOC-COV-BC	Noctis Front Cover including PCBs	1x Assembled Front Cover, 1x Umbilical Cord, 1x Power PCB, 1x Control PCB & 1x Rubber Seal	1
01	NOC-COV-BG	Noctis Front Cover Rose Gold including PCBs	1x Assembled Front Cover, 1x Umbilical Cord, 1x Power PCB, 1x Control PCB & 1x Rubber Seal	1
02	SOL-FIX-W	Solis Fixing Kit	2x Short Screws, 3x Long Screws, 3x Rawl Plugs, 2x Blanking Covers	1
02	NOC-FIX-BC	Noctis Fixing Kit	2x Short Screws, 3x Long Screws, 3x Rawl Plugs, 2x Blanking Covers	1
02	NOC-FIX-BG	Noctis Fixing Kit Rose Gold	2x Short Screws, 3x Long Screws, 3x Rawl Plugs, 2x Blanking Covers	1
03	131-404-S	Filter Assembly	Filter x1, inc. O-ring x1	1
04	131-315-S-2	Outlet Pipe Assembly (with hole)	Outlet Pipe x1, Metal Clip x1, inc. O-ring x1	1
05	131-309-S	Pressure Relief Diaphragm Housing Assembly	Pressure Relief Diaphragm Housing x1, inc. Screws x2	1
06	131-308	Pressure Relief Diaphragm	Pressure Relief Diaphragm x1	1
07	131-300-3-85	Heat Exchange Unit Assembly 8.5 kW	Heat Exchange Unit 8.5 kW x1, Metal Clip x1, inc. O-rings x2	1
07	131-300-3-95	Heat Exchange Unit Assembly 9.5 kW	Heat Exchange Unit 9.5 kW x1, Metal Clip x1, inc. O-rings x2	1
07	131-300-105	Heat Exchange Unit Assembly 10.5 kW	Heat Exchange Unit 10.5 kW x1, Metal Clip x1, inc. O-rings x2	1
08	131-307-S	Thermal Cut Out Assembly	Thermal Cut Out x1, inc. Screws x2	1
09	131-501	Rubber Seal	Front Cover Seal x1	1
10	131-607	Wire Terminal	Mains Terminal Block x1	1
11	131-209	Auxiliary Microswitch	Auxiliary Microswitch x1	1
12	131-140-S-85	Stabiliser Valve Assembly 8.5 kW	Stabiliser Valve x1, inc. O-rings x2	1
12	131-140-S-95	Stabiliser Valve Assembly 9.5 kW	Stabiliser Valve x1, inc. O-rings x2	1
12	131-140-S-105	Stabiliser Valve Assembly 10.5 kW	Stabiliser Valve x1, inc. O-rings x2	1
13	131-401	Inlet Pipe Clamp	Inlet Pipe Clamp x1	2
14	131-402-S	Swivel Inlet Pipe Assembly	Swivel Inlet Pipe x1, inc. O-ring x1	1
15	131-406-S	Inlet Elbow Assembly	Inlet Elbow x1, inc. O-ring x1	1
16	131-400-S	Water Inlet Assembly	Inlet Elbow x1, Swivel Inlet Pipe x1, Filter x1, inc. O-rings x3	1

Spare Parts

To replace any spare parts for your shower why not scan the below QR Code and search for your product; or alternatively visit www.bristan.com/search



Spare Parts



No.	Part No.	Description	Parts List	Qty
01	1408A0A	Riser Rail End Cap	Riser Rail End Cap x1	2
01	1408A0A RG	Riser Rail End Cap Rose Gold	Riser Rail End Cap x1	2
02	1406A0A	Wall Bracket Ass.	Wall Brackets x2, Wall Bracket End Caps x2, Screws x2, Wall Plugs x2	1
02	1406A0A RG	Wall Bracket Ass. Rose Gold	Wall Brackets x2, Wall Bracket End Caps x2, Screws x2, Wall Plugs x2	1
03	207041	Riser Rail Ass.	Riser Rail x1, Riser Rail End Caps x2	1
03	207041 RG	Riser Rail Ass. Rose Gold	Riser Rail x1, Riser Rail End Caps x2	1
04	1625A0A	Slider/Handset Holder	Slider/Handset Holder x1	1
04	1625A0A RG	Slider/Handset Holder Rose Gold	Slider/Handset Holder x1	1
05	CAS SHF02 C	Shelf	Shelf x1	1
05	CAS SHF02 RG	Shelf Rose Gold	Shelf x1	1
06	81S102501-000-102	Solis Handset White	Handset x1	1
06	S127013	Noctis Handset Chrome	Handset x1	1
06	S127013 RG	Noctis Handset Rose Gold	Handset x1	1
07	63000008	Hose Ass.	Hose x1, Rubber Washers x2	1
07	HOS 150CN02 RG	Hose Rose Gold	Hose x1, Rubber Washers x2	1

Notes

Notes

Notes

Issue: A

Part Number: FI Sol-Noc

BRISTAN
TAPS & SHOWERS

Bristan Group Ltd.

Birch Coppice Business Park

Dordon

Tamworth

Staffordshire

B78 1SG

Web: www.bristan.com

Email: enquire@bristan.com

A Masco Company

At Bristan, we want to make things as easy as possible for our customers. That's why we offer solid guarantees on all our products, effective from the date of purchase, to give you peace of mind.

To start your free guarantee simply scan the QR code and register your product. Alternatively visit www.bristan.com/register.

For any other queries, please call our Customer Service on 0330 026 6273 where our expert team of advisors will be able to offer you any help and advice.

For full guarantee terms and conditions visit www.bristan.com/guarantees.



We Know & We Care