

AFTERCARE INSTRUCTIONS

Your fitting has a high quality finish and should be treated with care to preserve the visible surfaces.

All surface finishes will wear if not cleaned correctly, the only safe way to clean your mixer is to wipe with a soft damp cloth. Stains can be removed using washing up liquid. All bath cleaning powders and liquids will damage the surface of your fitting, even the non-scratch cleaners. **NOTE: Never use abrasive detergents or disinfectants or those containing alcohol, hydrochloric acid or phosphoric acid.**

GUARANTEE

All products are manufactured to the highest standards and a 5 year guarantee covers any defect in manufacture.

All products must have access for servicing or replacement during the life of the product.

In the interests of continuous product development we reserve the right to alter specification as necessary

PRODUCT CODE:

PRODUCT IDENTIFICATION CODE LASER ETCHED ON PRODUCT
Installer please fill in code here _____ . **(Where applicable)**

TELEPHONE HELPLINE! +44 (0)844 701 6273

Bristan Group Limited
Birch Coppice Business Park
Dordon
Tamworth
Staffordshire
B78 1SG
UK
A Masco Company
Website: www.bristan.com
Telephone: +44 (0) 844 701 6274
Facsimile: +44 (0) 844 701 6275
Email: enquire@bristan.com

BRISTAN

Prism Cistern Lever

Fitting Instructions & Contents List

Please keep these instructions for future reference and request of replacement part

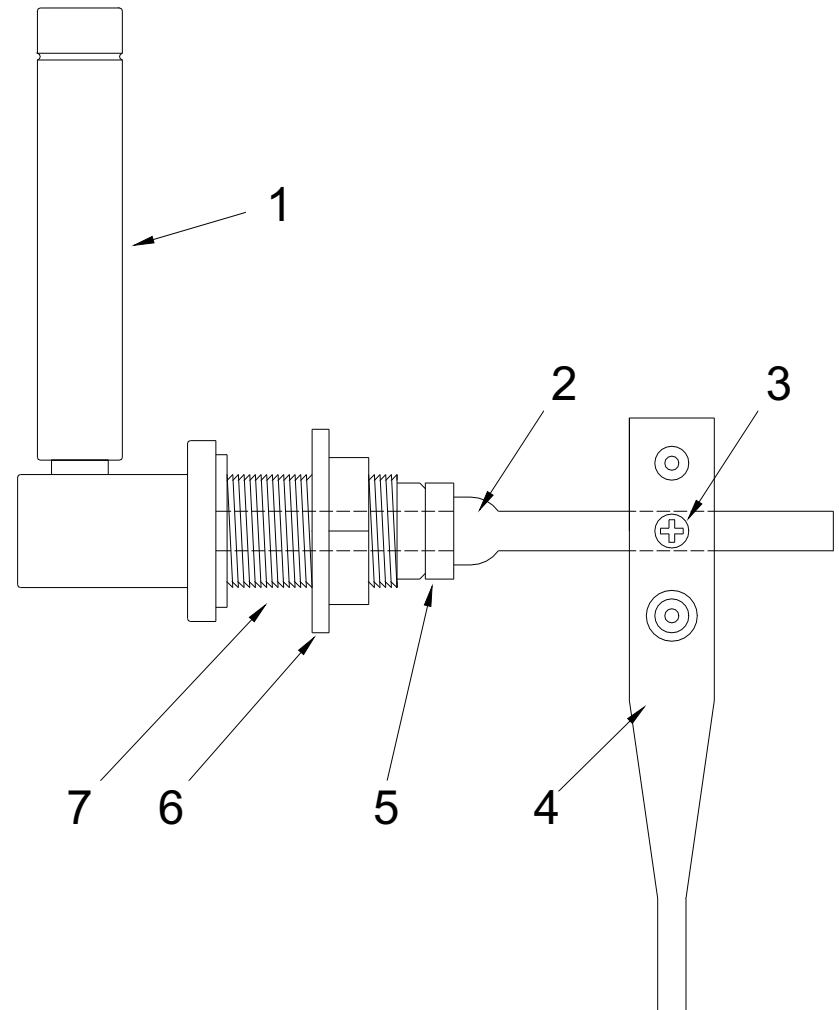
INSTALLATION

N.B. Before installation, please write the name and product code of your fitting in the spaces provided overleaf. This will ensure a speedier service if you should need to phone the helpline.

1. Identify all components and check for completeness, particularly before commencing installation.
2. To remove the old handle, remove cistern lid.
3. Loosen lifting arm retaining screw and remove lifting arm from handle shaft.
4. Disconnect lifting arm from the siphon plunger hook.
5. Loosen and remove backnut from the handle shaft. It may be necessary to remove a split pin from the shaft first. Pull handle from cistern.
6. To fit the new handle, remove lifting arm (4) and plastic snap ring (5) from the handle shaft (2) and the plastic backnuts (6) from the threaded sleeve (7).
7. Remove threaded sleeve from handle shaft and mount in cistern using plastic backnut. Tighten firmly.
8. Insert handle shaft through sleeve and replace snap ring.
9. Connect plunger hook to lifting arm in the appropriate hole so that when lifting arm is mounted on handle shaft it is directly above the siphon plunger.
10. Tighten retaining screw (3) on lifting arm.
11. See the back page for aftercare instructions

COMPONENTS

1. Handle
2. Handle Shaft
3. Lifting Arm Retaining Screw
4. Lifting Arm
5. Plastic Snap Ring
6. Plastic Backnut
7. Threaded Sleeve



PLEASE NOTE:

In the unlikely event you find a part missing, please contact our Customer Service helpline on **0844 701 6273** for immediate dispatch of part