

BRISTAN

Wall Hung Pan

Installation Instructions & User Guide




Please keep these instructions for future reference and request of replacement parts

Contents

Thank you for choosing Bristan, the UK's leading taps and showers expert. We have designed this product with your enjoyment in mind. To ensure that it works to its full potential, it needs to be fitted correctly. These fitting instructions have been created to give you all of the information you need and, if you need any further help, please do not hesitate to give us a call on 0844 701 6273.

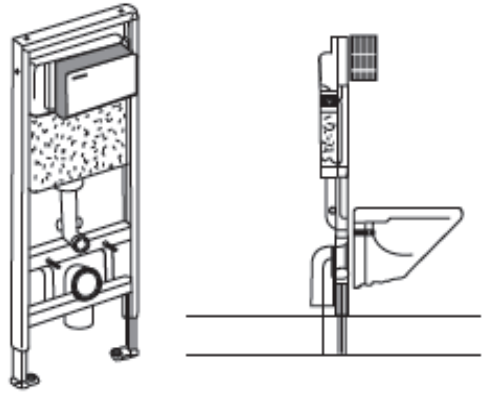
Important Safety Information	03
Installation	04 – 05
Maintenance	06
Guarantee	07

Important Safety Information

- Please read these instructions thoroughly and retain for future use.
- All products manufactured and supplied by Bristan are safe provided they are installed correctly, used correctly and receive regular maintenance in accordance with these instructions.
- If you are in any doubt about your ability to install this product safely you must employ the services of an experienced qualified plumber.
- Remove all packaging and check the components for damage before starting installation.
-  Before starting any installation please consider the following: Prior to drilling into walls, check that there are no hidden electrical wires, cables or water supply pipes. This can be checked with the aid of an electronic detector.
- If power tools are used do not forget to:
 - Wear eye protection
 - Unplug equipment after use
- This product **must** not be modified in any way as this will invalidate the guarantee.

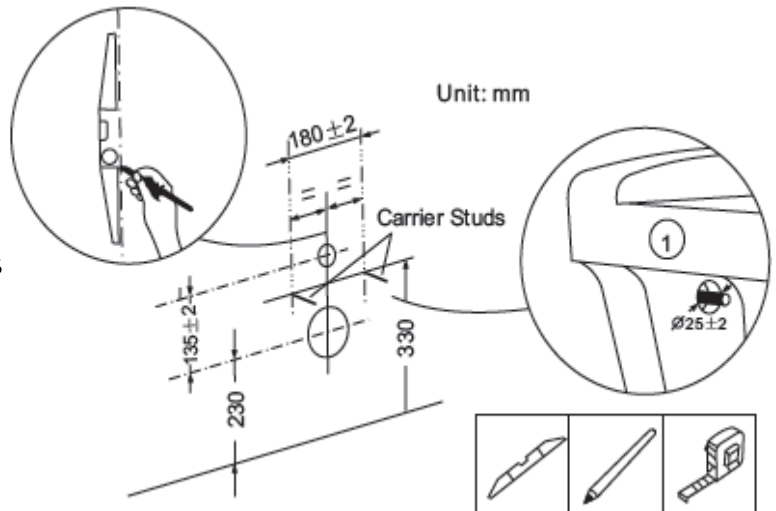
1. INSTALL THE TANK

- Turn the water supply off before installing the new toilet.
- Install the concealed tank system in the wall before decorating the wall.
- Install the tank system per tanks installation instructions.



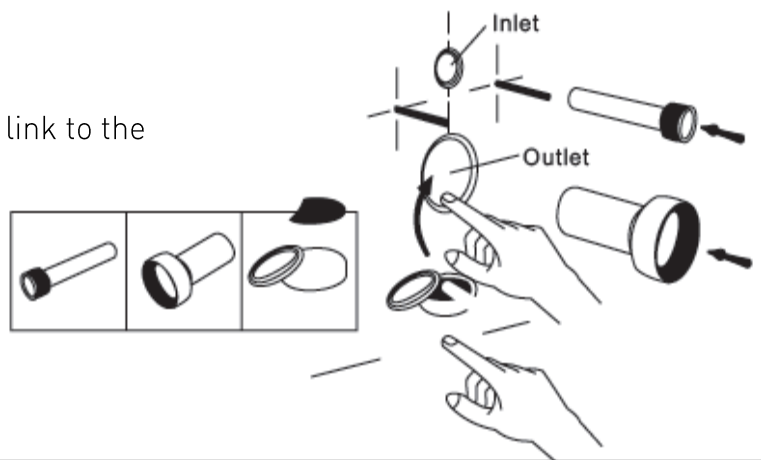
2. SET THE SPACING OF THE BOWL

- After you install the tank, be careful to set the spacing of the bowl on the wall, according to the dimensions as shown.



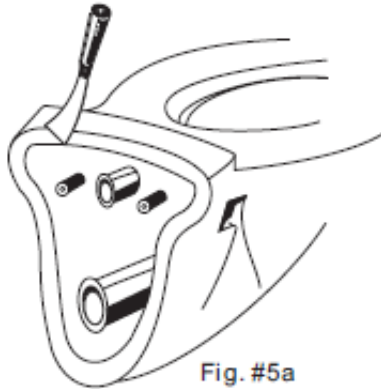
3. ATTACH CONNECTION PIPE

- Attach pipe with gasket to the inlet to link to the concealed tank.
- Attach pipe with gasket to the outlet.
 - * Apply gasket for sealing the bowl to the wall.
- You may apply some lubricant to help connect smoothly.



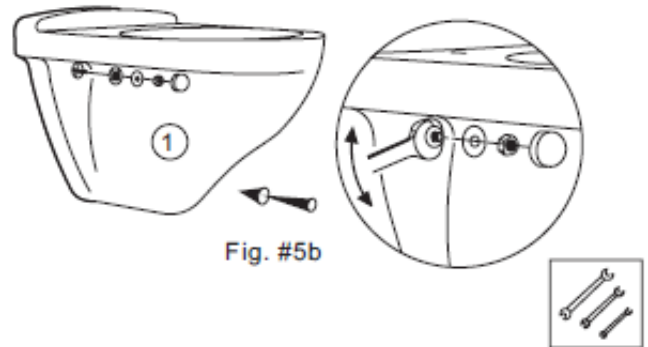
4. INSTALL THE NEW BOWL

a) Apply a little silicone sealant along the edge, to fill the gap between bowl & the wall.
See Fig 5a.

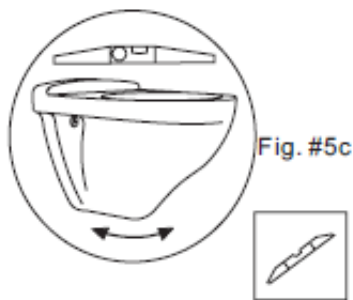


b) Place the new bowl on the wall through the Carrier. Wrench the nut to tighten & make sure they are attached securely.
See Fig 5b.

Torque for tightening nuts is recommended to be within the range from 8Nm to 12Nm.

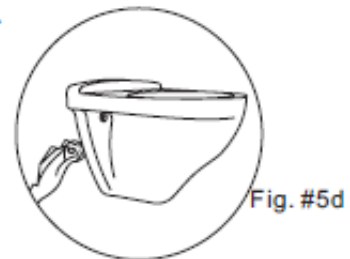


c) Adjust to horizontal & finish tightening
See Fig 5c.



d) Apply sealant to make sure the bowls edge seals to the wall. See Fig 5d.

wall. See Fig. 5d.



Care and Maintenance

Once installed, flush the toilet 2 or 3 times to ensure it is functioning correctly and check all supply and waste connections for leaks.

If the toilet fails to remove solids please check the following:

1. You are pressing the correct button
2. The valve has been set correctly
3. There is no obstruction in the WC outlet or in the connecting soil pipe

Clean the exterior of your WC suite with hot soapy water and a cloth.

Do not use harsh abrasives particularly on the areas displaying the **BRISTAN** logo

General Cleaning

Your fitting has a high quality finish and should be treated with care to preserve the visible surfaces. All finishes will wear if not cleaned correctly. The only safe way to clean your product is to wipe with a soft damp cloth. Stains can be removed using washing up liquid. All bathroom cleaning products (powders and liquids) will damage the surface of your fitting, even the non-scratch cleaners.

Note: Never use abrasive detergents or disinfectants or those containing alcohol, hydrochloric acid or phosphoric acid.



Bristan recommend E-cloth for cleaning all of our bathroom & kitchen products. Using just water, E-cloth gives a

smear free, deep clean by breaking up and holding dirt, which normal cloths leave behind. Order through your Bristan stockist (order code: E-CLOTH).

Guarantee & Registration

Sanitaryware

5 year parts only. All subject to proof of purchase.

This guarantee applies to products purchased within the United Kingdom or Republic of Ireland, but does not apply to products used commercially.

The guarantee is only available to original purchasers who have proof of purchase.

The installation must allow ready access to all products for the purpose of inspection, maintenance or replacement.

Any part found to be defective during the above guarantee period will be replaced without charge, providing that the product has been installed in accordance with the instructions, used as intended, and regularly serviced.

In the unlikely event that any problems are encountered with the product's performance on installation, you must obtain guidance/authorisation from our Customer Service Department, and be able to supply proof and date of purchase, before any remedial action is taken.

The guarantee excludes general wear and tear and damage caused by accident, misuse or neglect, and does not cover the following:

- Damage caused by faulty installation
- Damage caused by lime scale or any waterborne debris
- Damage caused by inappropriate cleaning products (see user instructions)
- Damage caused by the use of non-original parts
- The product being used for a purpose other than intended by the manufacturer.

In the interests of continuous product improvement Bristan reserves the right to alter specification as necessary.



Guarantee

BRISTAN

This booklet covers product code
SW QST/JU/BL WH PAN W

Helpline

0844 701 6273

Bristan Group Limited

Birch Coppice Business Park, Dordon, Tamworth, Staffordshire B78 1SG

A Masco Company

Website: www.bristan.com

Telephone: 0844 7016 274 Facsimile: 0844 701 6275

Email: enquire@bristan.com