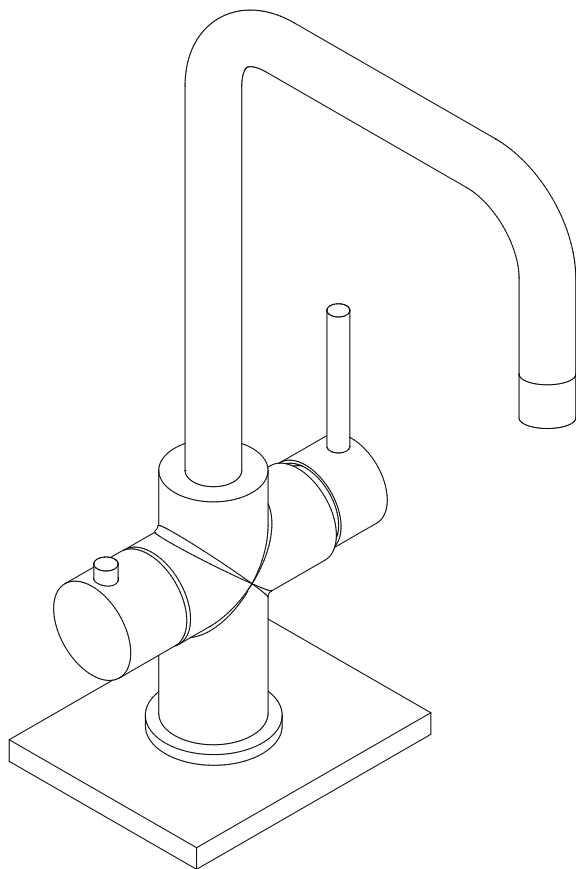


# **bower**

## **3-In-1 Instant Boiling Kitchen Tap**

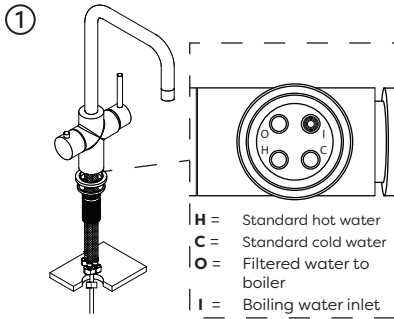


## **Fitting Instructions**

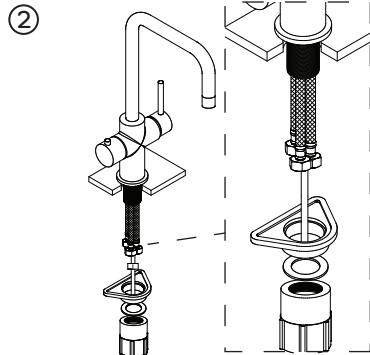
Please follow them carefully and  
leave this manual with end user

## Before you begin:

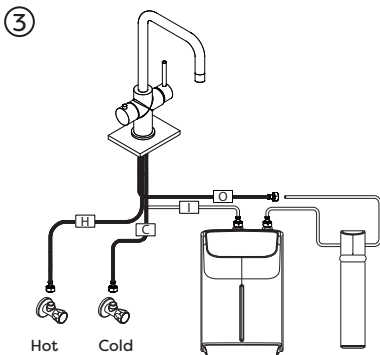
1. **We recommend that this product is installed by a qualified tradesperson,** Victorian Plumbing Ltd. accept no liability for products incorrectly installed, or where the correct testing procedures have not been adhered to, thus resulting in the escape of water and consequential damage.
2. Ensure the supply pipes have been thoroughly flushed to remove any debris.
3. Ensure the incoming mains water supply is switched off prior to commencing the installation.
4. Observe all local plumbing and building codes & regulations.
5. Unpack the product then read these instructions before proceeding. Inspect the product for damage. If any damage is found, contact our Customer Relations team.



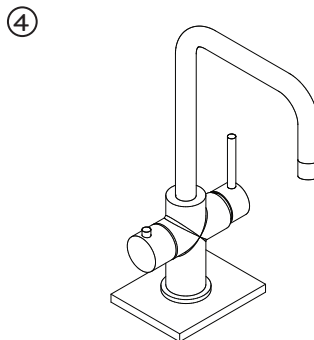
Insert the cover plate and threaded tail to the bottom of the mixer, then connect the flexi-pipes into the bottom of the mixer body and tighten (the fittings for the pipes are clearly marked). Feed the assembly through the hole in the sink/counter top.



Slide the under-mount bracket to the underside of the sink followed by the o-ring and threaded cap. Screw the cap to the threaded tail, tighten to secure the mixer in place.



Flush the pipework then connect the Hot & Cold flexi-pipes to the isolation valves. Connect the boiler flexi-pipe and the pre-installed hose to the boiler tank and water filter.

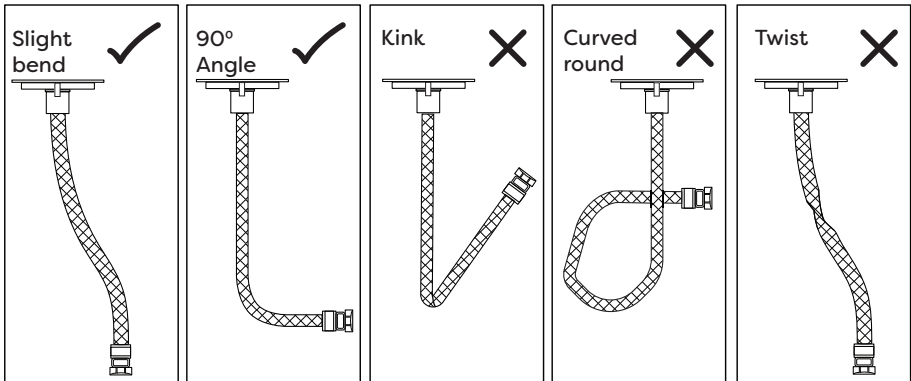


Turn on the mains water supply, run the tap and check all joints/connections for any leaks.

**Note:** Diagrams are for illustration purposes only. Your tap may superficially differ from this drawing however the installation guide steps still apply.

## Flexible Connecting Pipes:

When installing the flexi-pipes to the household pipework. Special care must be taken to ensure they do not bend sharply causing a kink or twist. Failure to do so may result in poor performance and damage to the flexi-pipes.



### ! IMPORTANT SAFETY INFORMATION !

- This electronic instant hot water appliance is **not** intended for use by persons (including children) with reduced physical, sensory, or mental capabilities, or lack of experience and knowledge, unless they have been given supervision or instruction concerning use of appliance by a person responsible for their safety.
- Children should be supervised to ensure that they do not play with the electronic instant hot water tap, a safety spring back is used to control the flow of the near boiling water for additional safety.

## Troubleshooting

FAULT	POSSIBLE CAUSE
Taps do not turn on	<ul style="list-style-type: none"> <li>• Closed isolation valve.</li> <li>• Mains water supply turned off.</li> </ul>
Water dripping from taps	<ul style="list-style-type: none"> <li>• This is normal for a short time after using the taps.</li> <li>• If water continues to drip, possible build up of limescale in the cartridge valve.</li> </ul>
Low or no flow rate	<ul style="list-style-type: none"> <li>• Partially closed isolation valve.</li> <li>• Instantaneous water heater cycles on and off as flow rate pressure is too low.</li> <li>• Head of water is below the minimum distance required.</li> <li>• Hot or cold water being drawn off elsewhere causing pressure changes or instantaneous boiler temperature changes.</li> <li>• Airlock or partial blockage in the supply pipework.</li> </ul>

## **Aftercare:**

Always clean the surface of tap to keep it bright. **Attention:** please do not use inappropriate tools such as sharp brushes, rough sponges, scouring pads or corrosive detergent to clean the tap. Please clean the tap by wet cloth and soapy water. Then rinse the soap out with clean water and dry with a soft cotton cloth.

## **Recycling and Disposal:**

Please recycle the packaging in accordance with your local government regulations on waste handling and follow the same advice at the end of the products life.

[www.victorianplumbing.co.uk](http://www.victorianplumbing.co.uk)