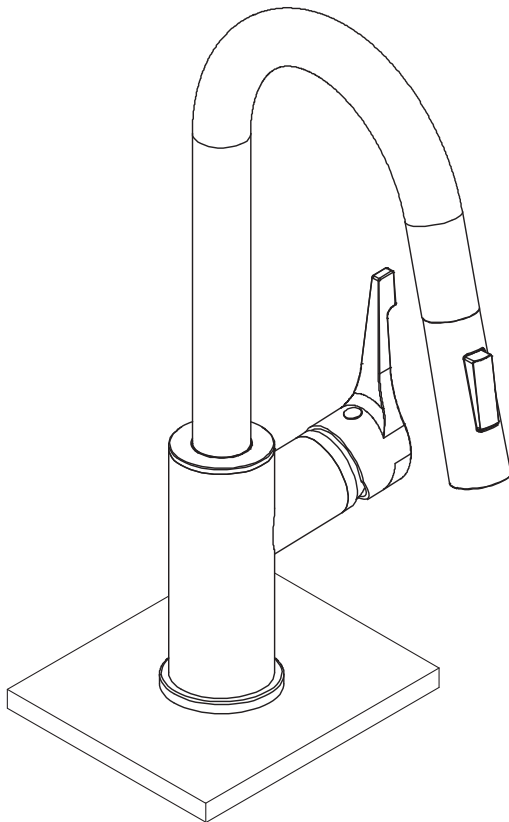


bower

Single Lever Kitchen Sink Mixer Tap with Pull-out Spray



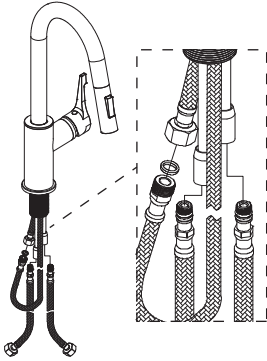
Fitting Instructions

Please follow them carefully and
leave this manual with end user

Before you begin:

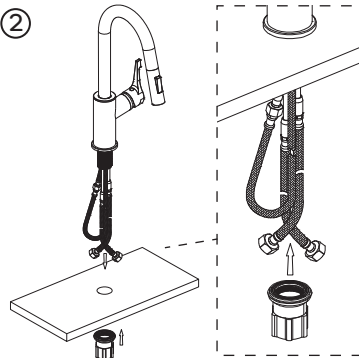
1. **We recommend that this product is installed by a qualified tradesperson.** Victorian Plumbing Ltd. accept no liability for products incorrectly installed, or where the correct testing procedures have not been adhered to, thus resulting in the escape of water and consequential damage.
2. Ensure the supply pipes have been thoroughly flushed to remove any debris.
3. Ensure the incoming mains water supply is switched off prior to commencing the installation.
4. Observe all local plumbing and building codes & regulations.
5. Unpack the product then read these instructions before proceeding. Inspect the product for damage. If any damage is found, contact our Customer Relations team.

①



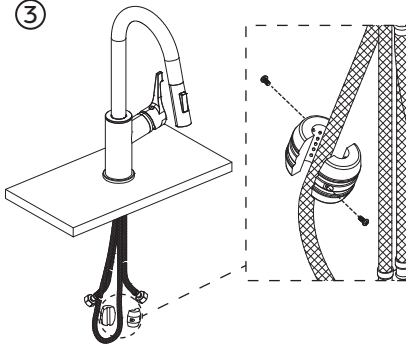
Install the flexi-pipes into the bottom of the mixer body and tighten. Attach the pull out spray hose to the mixer tap and tighten (as shown in the diagram above).

②



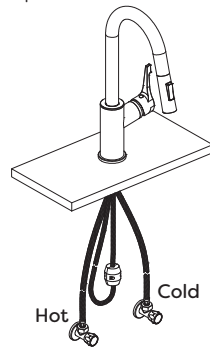
Feed the assembly through the hole in the basin/counter-top. On the underside of the unit, attach the fixing nut to the threaded tail of the mixer body. Tighten all connections making sure the mixer is securely in place.

③



Remove the two halves of the hose weight and place both halves around the hose. Ensure the hose weight is pulling the hose back into the mixer. Secure into place when at the desired location.

④

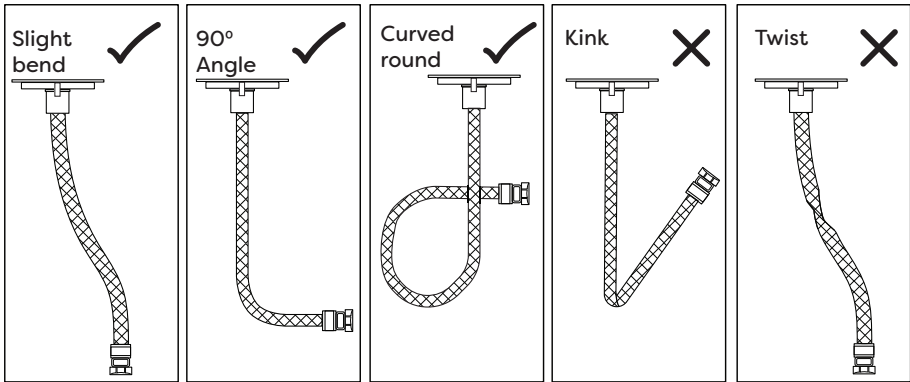


Flush the pipework then connect the hot & cold flexi-pipes to the isolation valves. Turn on the mains water supply, run the tap and check all joints/connections for any leaks.

Note: Diagrams are for illustration purposes only. Your tap may superficially differ from this drawing however the installation guide steps still apply.

Flexible Connecting Pipes:

When installing the flexi-pipes to the household pipework. Special care must be taken to ensure they do not bend sharply causing a kink or twist. Failure to do so may result in poor performance and damage to the flexi-pipes.



Aftercare:

Always clean the surface of tap to keep it bright. **Attention:** please do not use inappropriate tools such as sharp brushes, rough sponges, scouring pads or corrosive detergent to clean the tap. Please clean the tap by wet cloth and soapy water. Then rinse the soap out with clean water and dry with a soft cotton cloth.

Recycling and Disposal:

Please recycle the packaging in accordance with your local government regulations on waste handling and follow the same advice at the end of the products life.

Troubleshooting

FAULT	POSSIBLE CAUSE
Taps do not turn on	<ul style="list-style-type: none"> • Closed isolation valve. • Mains water supply turned off.
Water dripping from taps	<ul style="list-style-type: none"> • This is normal for a short time after using the taps. • If water continues to drip, possible build up of limescale in the cartridge valve.
Low or no flow rate	<ul style="list-style-type: none"> • Partially closed isolation valve. • Instantaneous water heater cycles on and off as flow rate pressure is too low. • Head of water is below the minimum distance required. • Hot or cold water being drawn off elsewhere causing pressure changes or instantaneous boiler temperature changes. • Airlock or partial blockage in the supply pipework.

www.victorianplumbing.co.uk