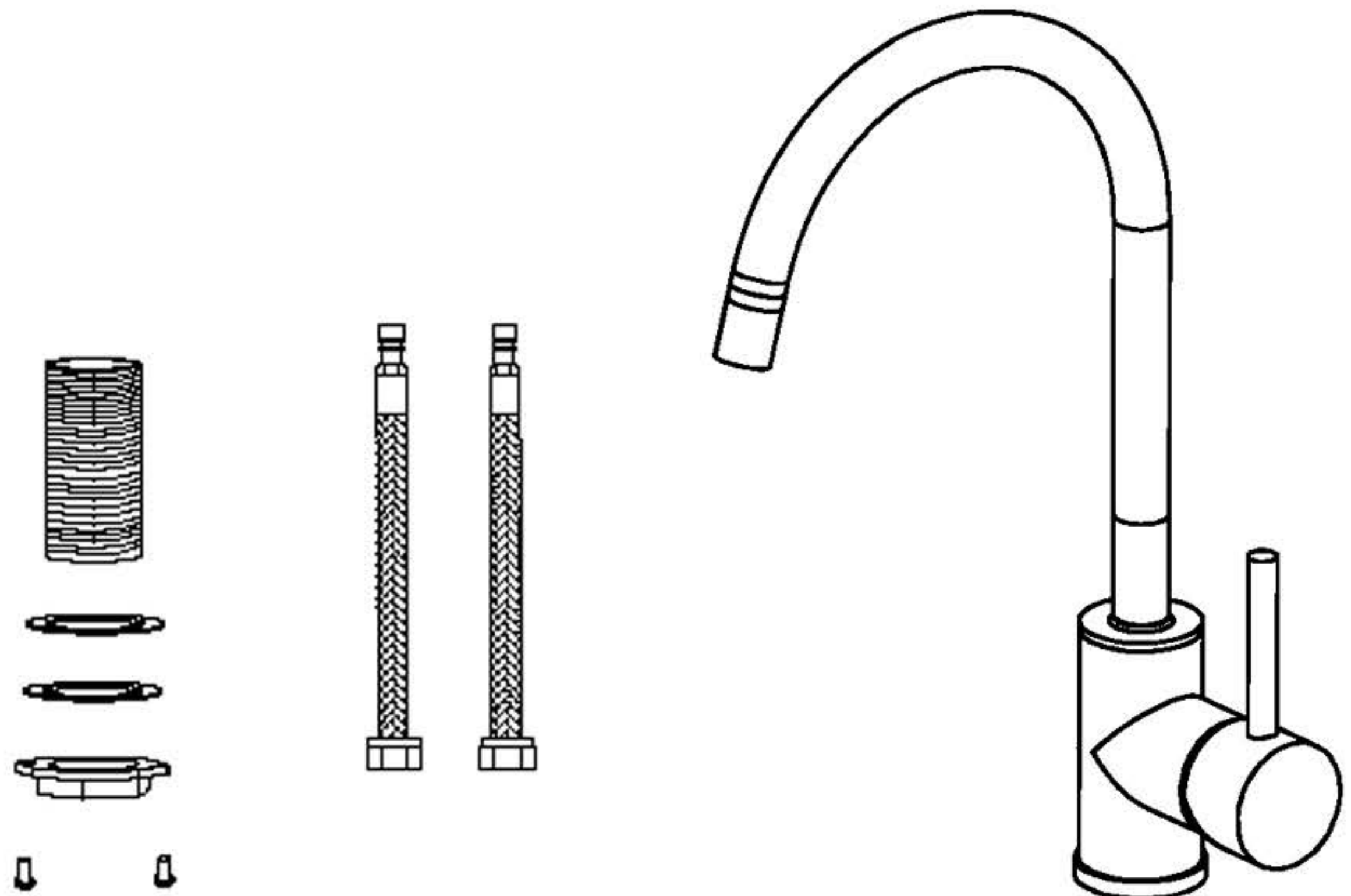


INSTALLATION MANUAL

Stainless Steel Sink Mixers

Stainless Steel Single Lever Sink Mixer



Instructions

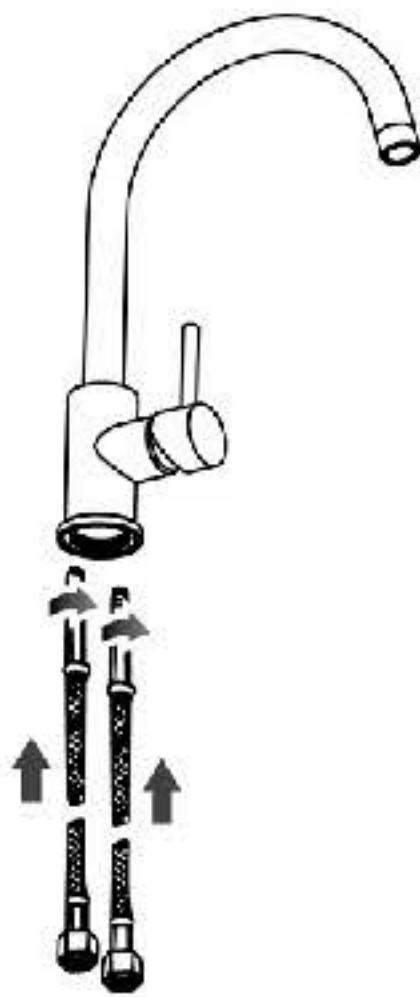
Important Note

Mixer must be installed by a qualified plumber.

A. Please flush out new pipe work prior to connecting the new mixer.

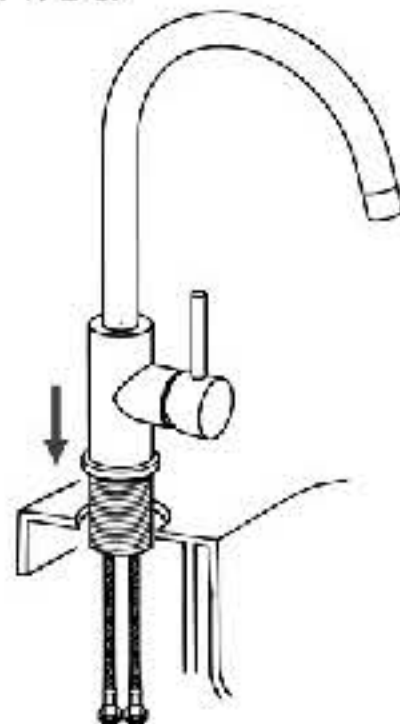
B. All mixers should be installed with isolating stop valves.

1. Drill a hole 34mm to 36mm where the tap is to be mounted.

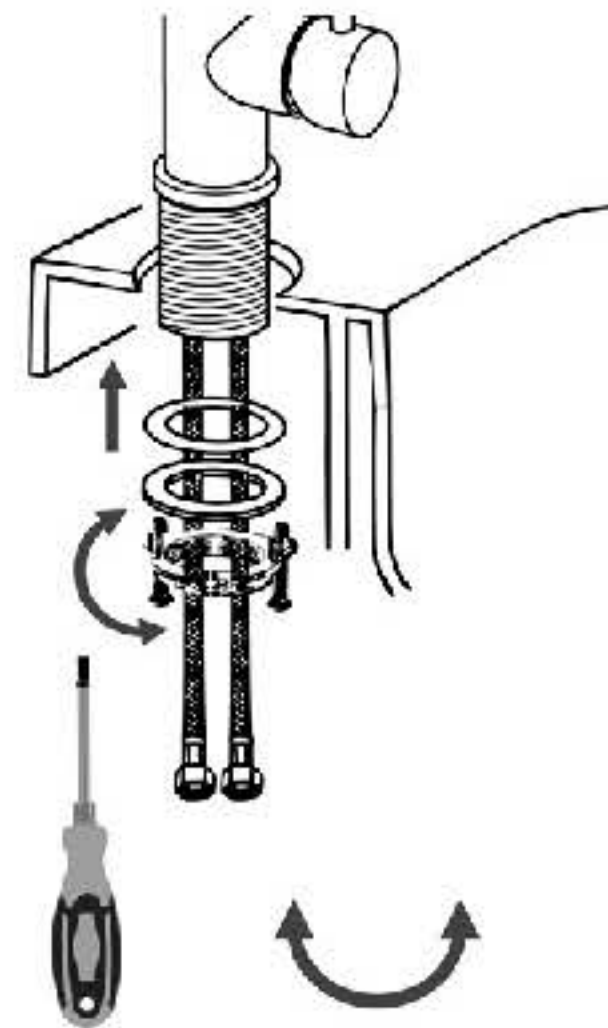


2. Screw in the two flexible hoses.

3. Place the tap unit in the pre-punched hole in the sink or basin with the flexible hoses going first.



4. From underneath the basin, fix rubber seal, fixing plate and fixing nut by hand then use a screw driver to tighten both tension screws firmly. Ensure the tap set is firmly attached.



5. Connect the mixer to the water supply by connecting the two flexible hoses to the isolating stop valves.

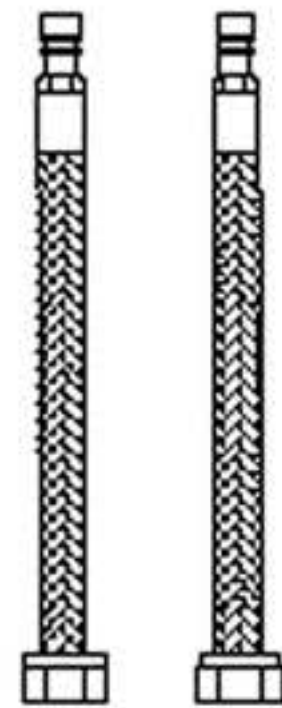
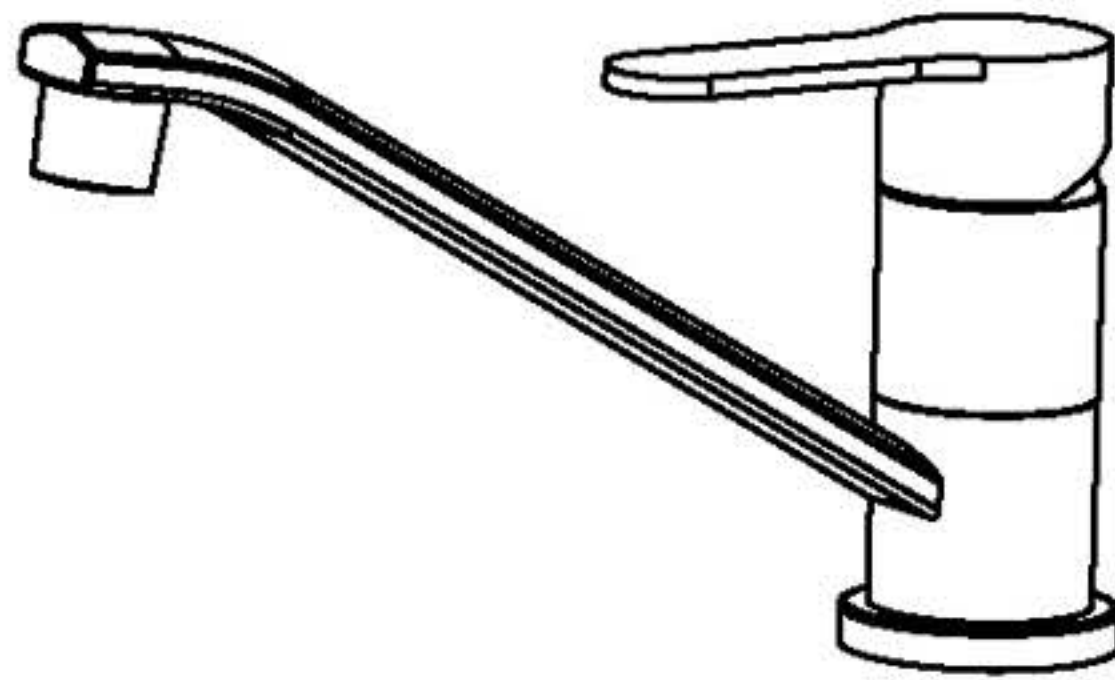
6. After full connection to water supply, remove aerator and flush out before initial water test.

7. Replace the aerator.

Important Information

We do not recommend dismantling the internal parts of the tap set.

Stainless Steel Single Lever Sink Mixer



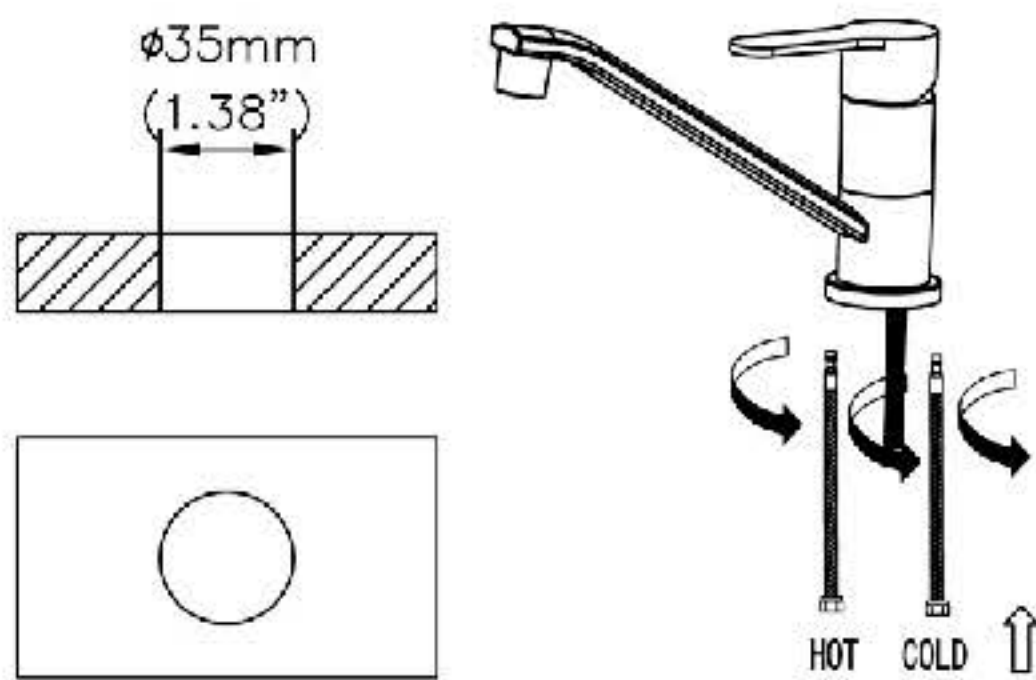
Instructions

Important Note

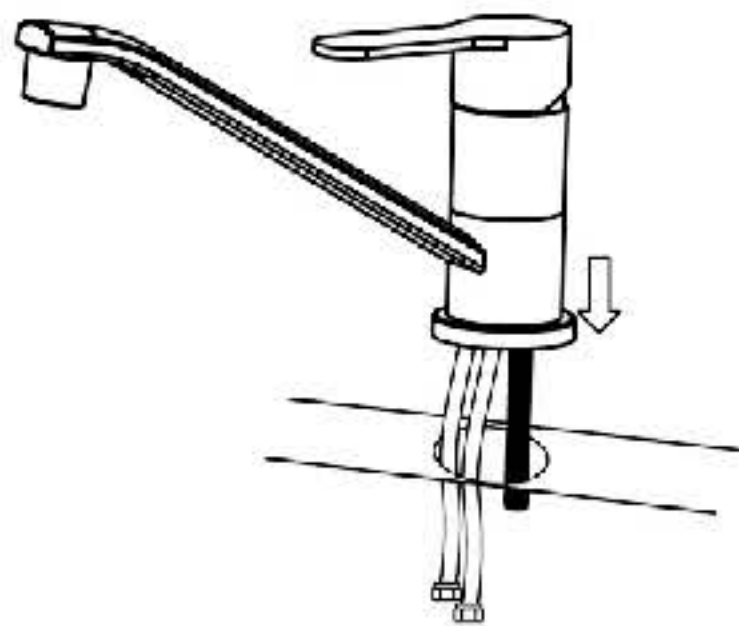
Mixer must be installed by a qualified plumber.

- A. Please flush out new pipe work prior to connecting the new mixer.
- B. All mixers should be installed with isolating stop valves.

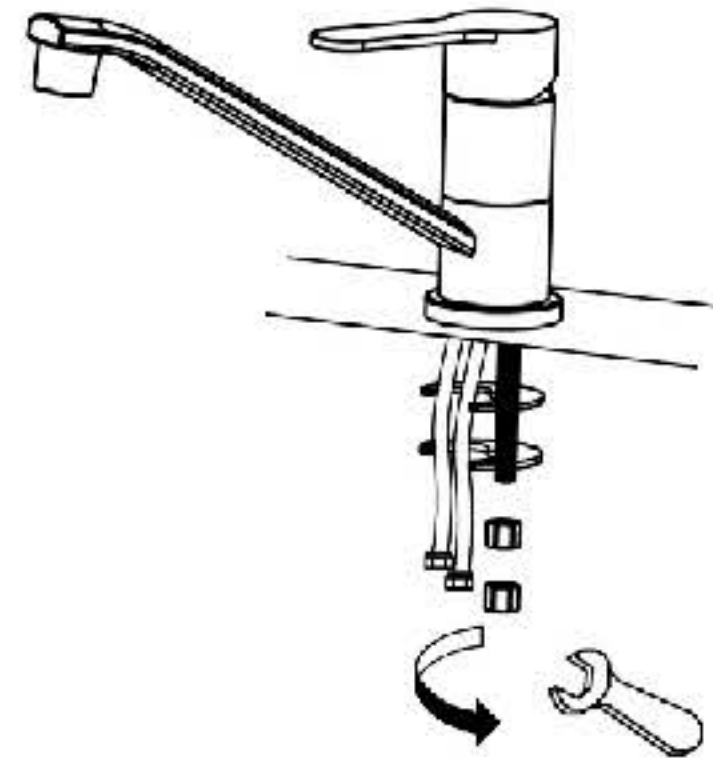
1. Drill a hole 34mm to 36mm where the tap is to be mounted.



2. Screw in the two flexible hoses.
3. Place the tap unit in the pre-punched hole in the sink or basin with the flexible hoses going first.



4. From underneath the basin, fix rubber seal, fixing plate and fixing nut by hand then use a screw driver to tighten both tension screws firmly. Ensure the tap set is firmly attached.

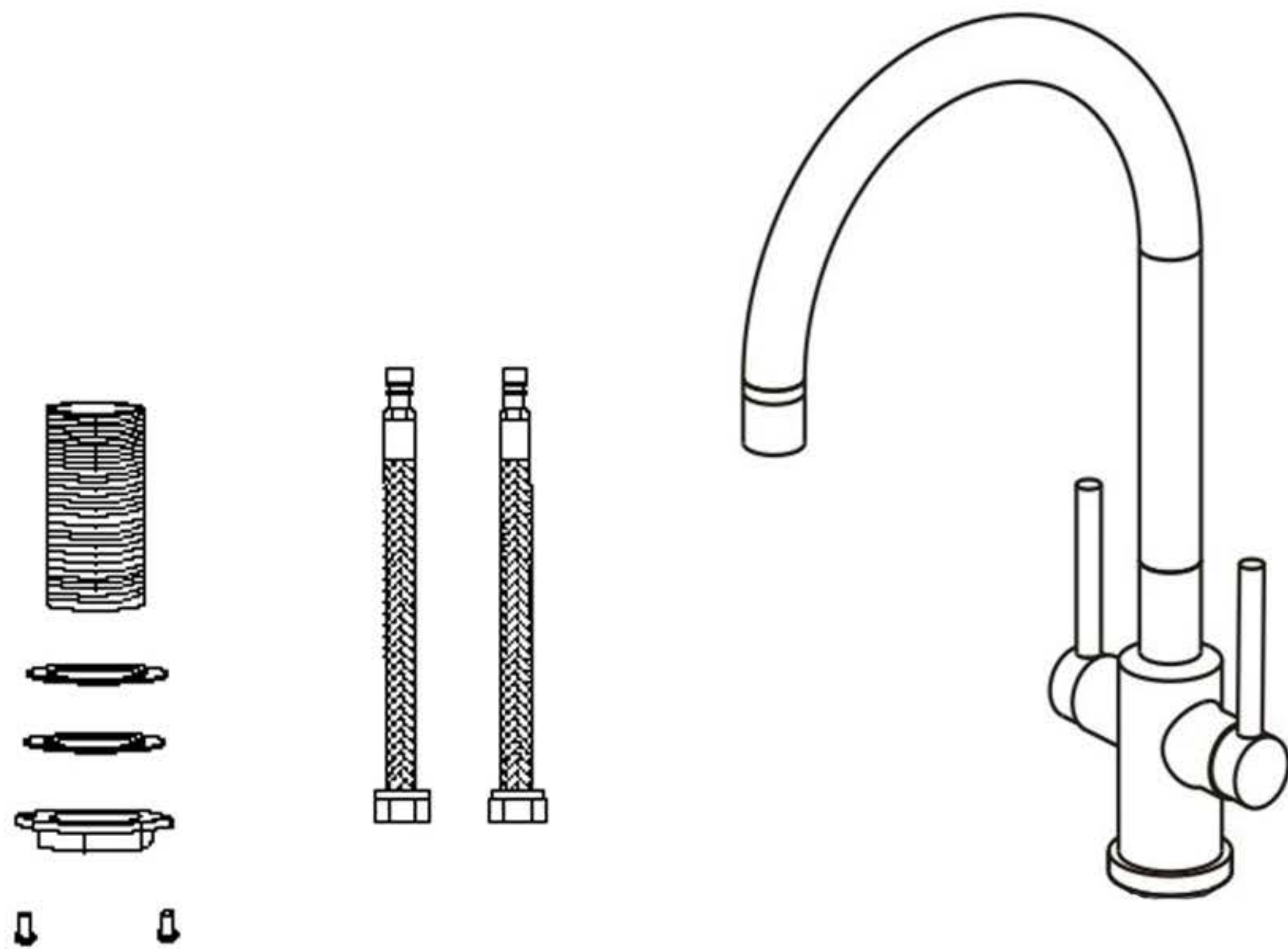


5. Connect the mixer to the water supply by connecting the two flexible hoses to the isolating stop valves.
6. After full connection to water supply, remove aerator and flush out before initial water test.
7. Replace the aerator.

Important Information

We do not recommend dismantling the internal parts of the tap set.

Stainless Steel Dual Lever Sink Mixer



Instructions

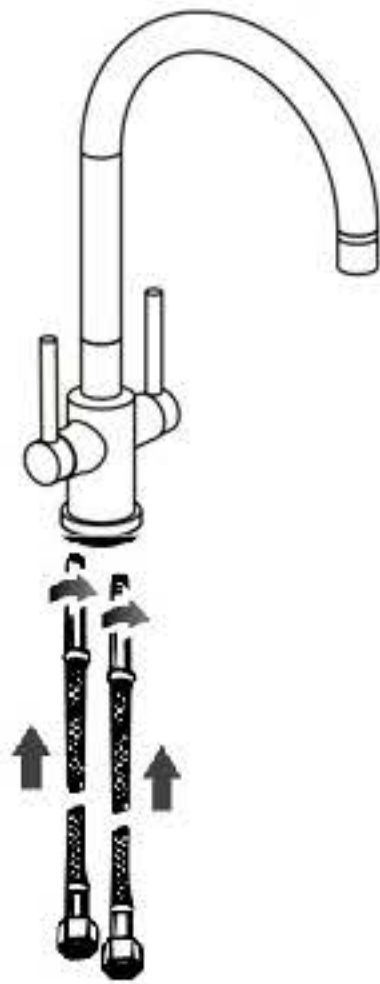
Important Note

Mixer must be installed by a qualified plumber.

A. Please flush out new pipe work prior to connecting the new mixer.

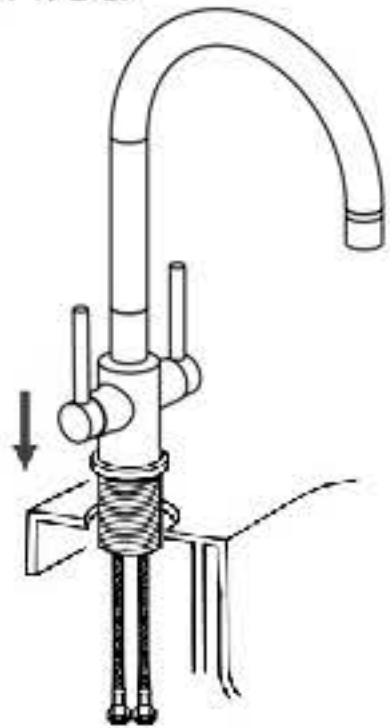
B. All mixers should be installed with isolating stop valves.

1. Drill a hole 34mm to 36mm where the tap is to be mounted.

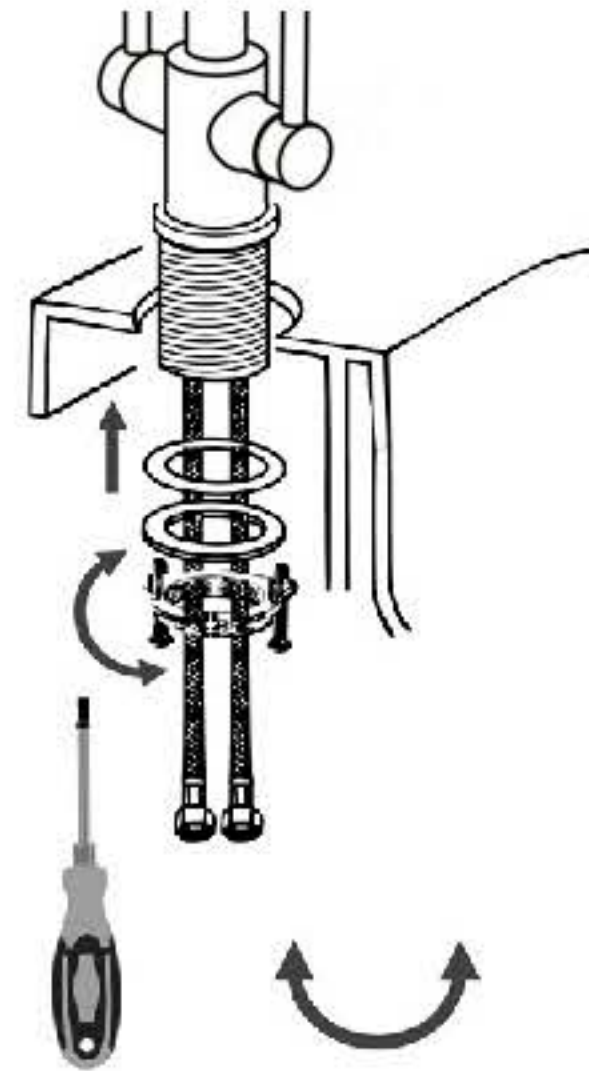


2. Screw in the two flexible hoses.

3. Place the tap unit in the pre-punched hole in the sink or basin with the flexible hoses going first.



4. From underneath the basin, fix rubber seal, fixing plate and fixing nut by hand then use a screw driver to tighten both tension screws firmly. Ensure the tap set is firmly attached.



5. Connect the mixer to the water supply by connecting the two flexible hoses to the isolating stop valves.

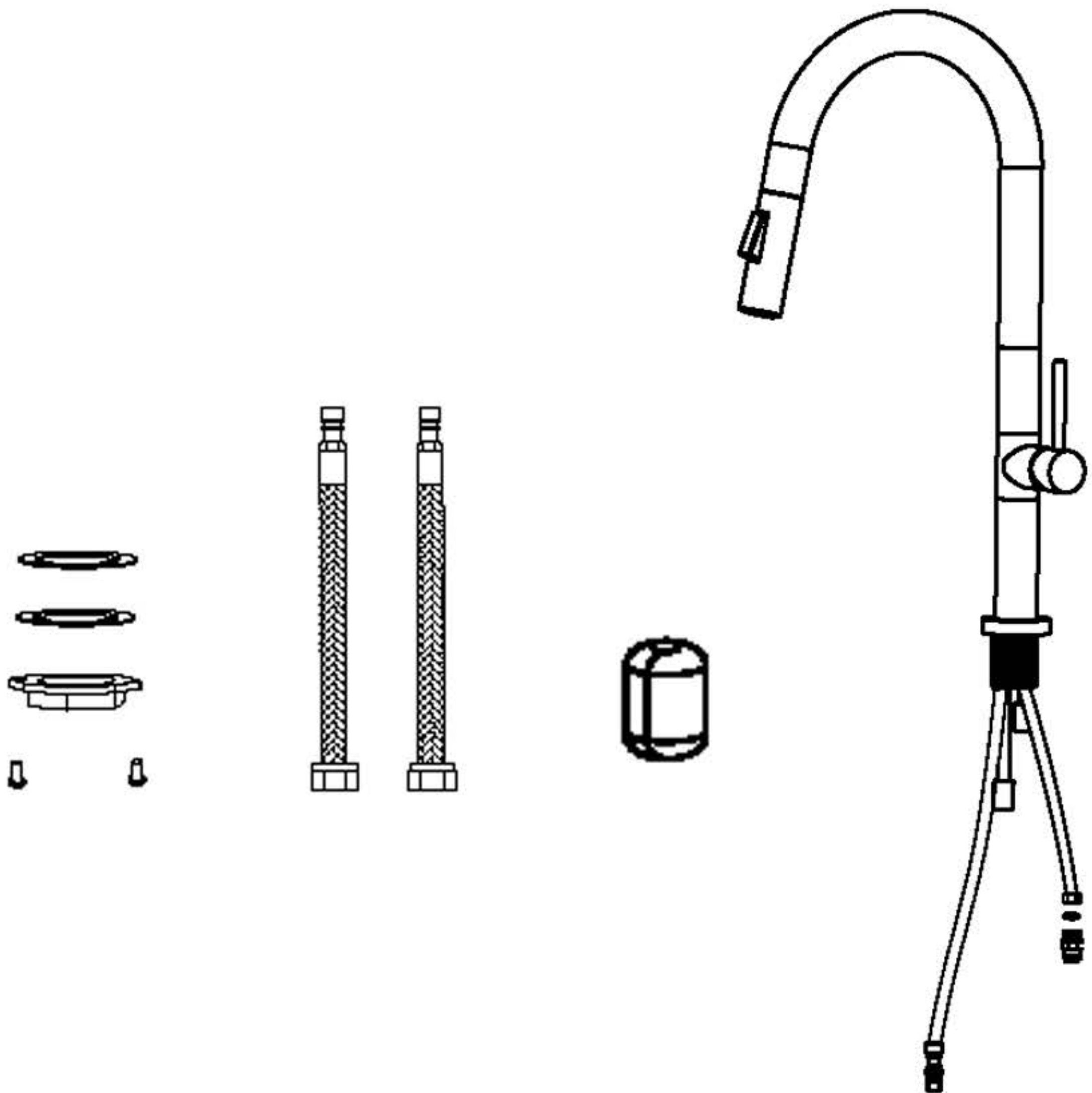
6. After full connection to water supply, remove aerator and flush out before initial water test.

7. Replace the aerator.

Important Information

We do not recommend dismantling the internal parts of the tap set.

Stainless Steel Single Lever Sink Mixer



Instructions

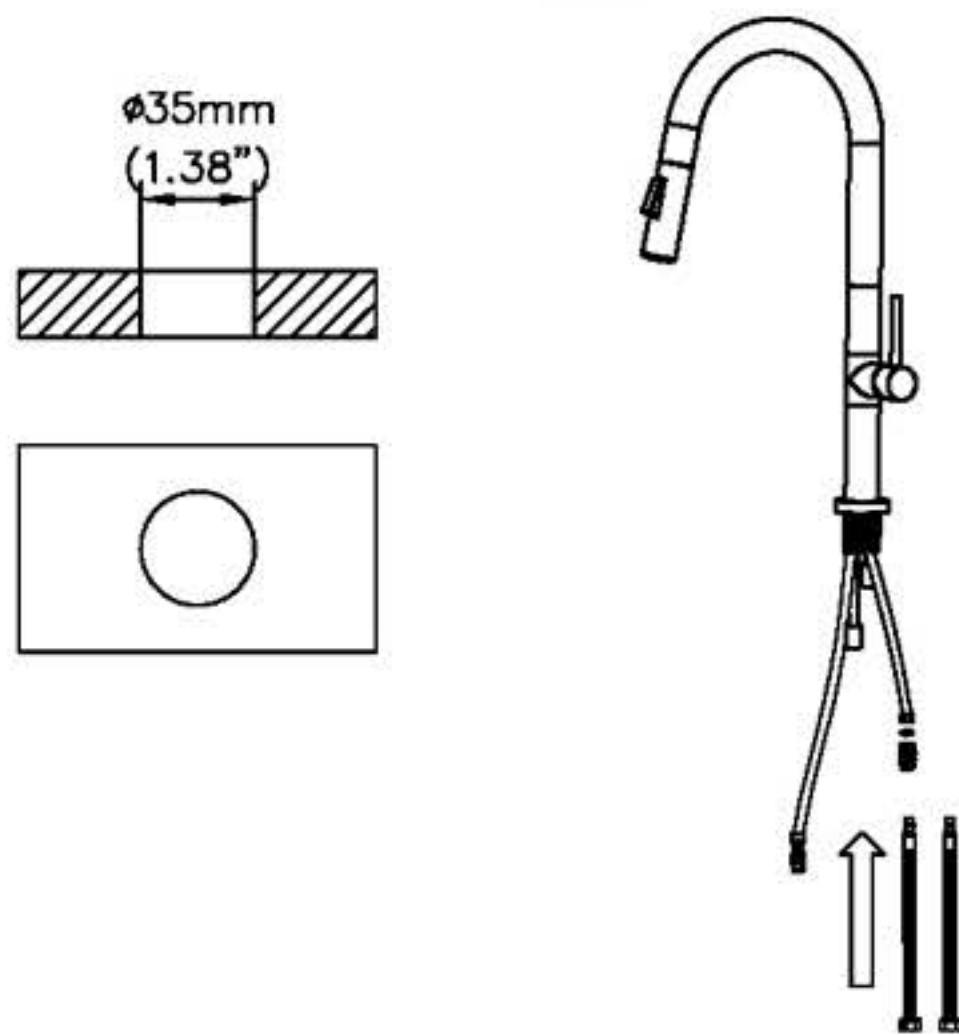
Important Note

Mixer must be installed by a qualified plumber.

A. Please flush out new pipe work prior to connecting the new mixer.

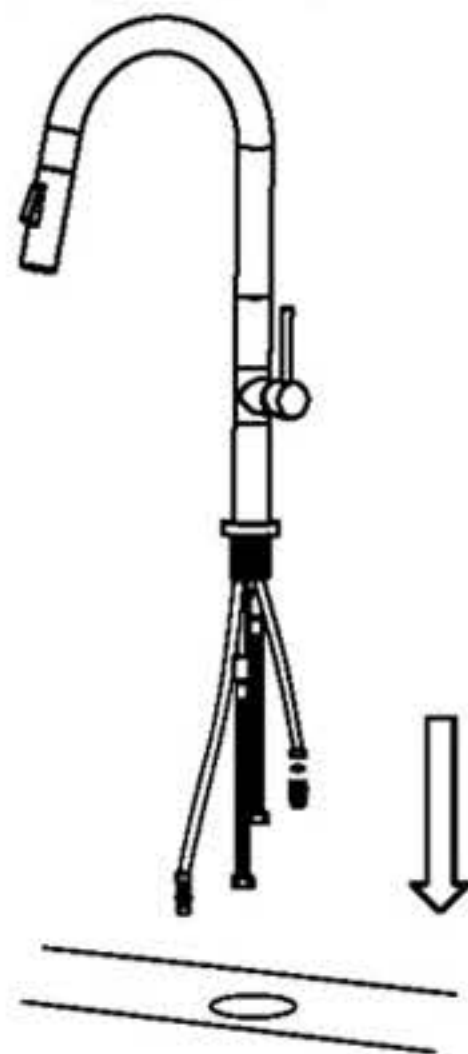
B. All mixers should be installed with isolating stop valves.

1. Drill a hole 34mm to 36mm where the tap is to be mounted.

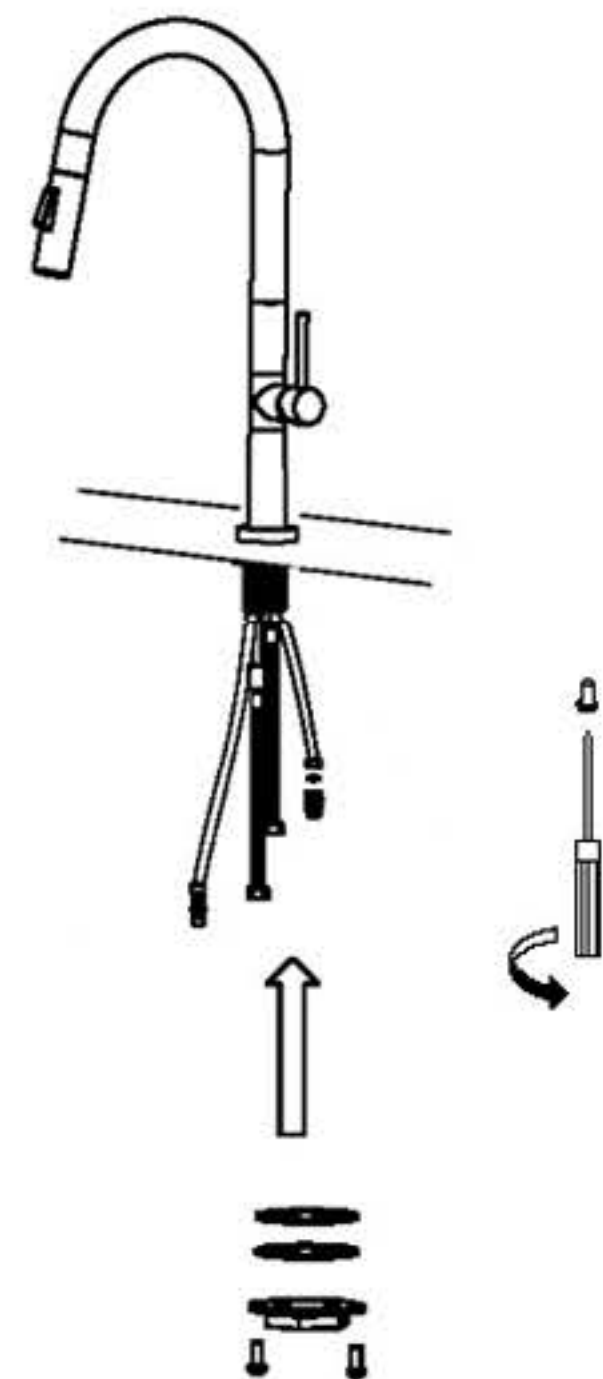


2. Screw in the two flexible hoses.

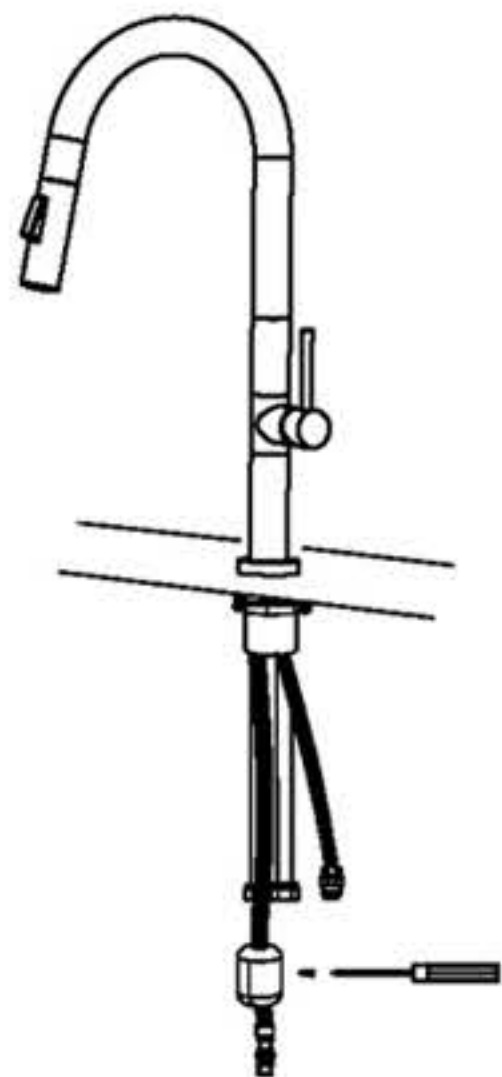
3. Place the tap unit in the pre-punched hole in the sink or basin with the flexible hoses going first.



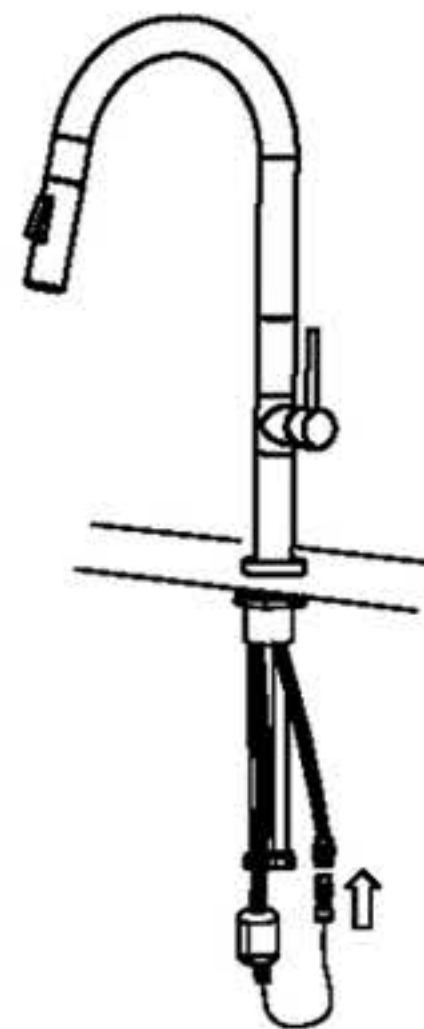
4. From underneath the basin, fix rubber seal, fixing plate and fixing nut by hand then use a screw driver to tighten both tension screws firmly. Ensure the tap set is firmly attached.



-
- Put the weight onto the pull-out flexible hose.



- Connect the pull-out flexible hose to the quick union connector

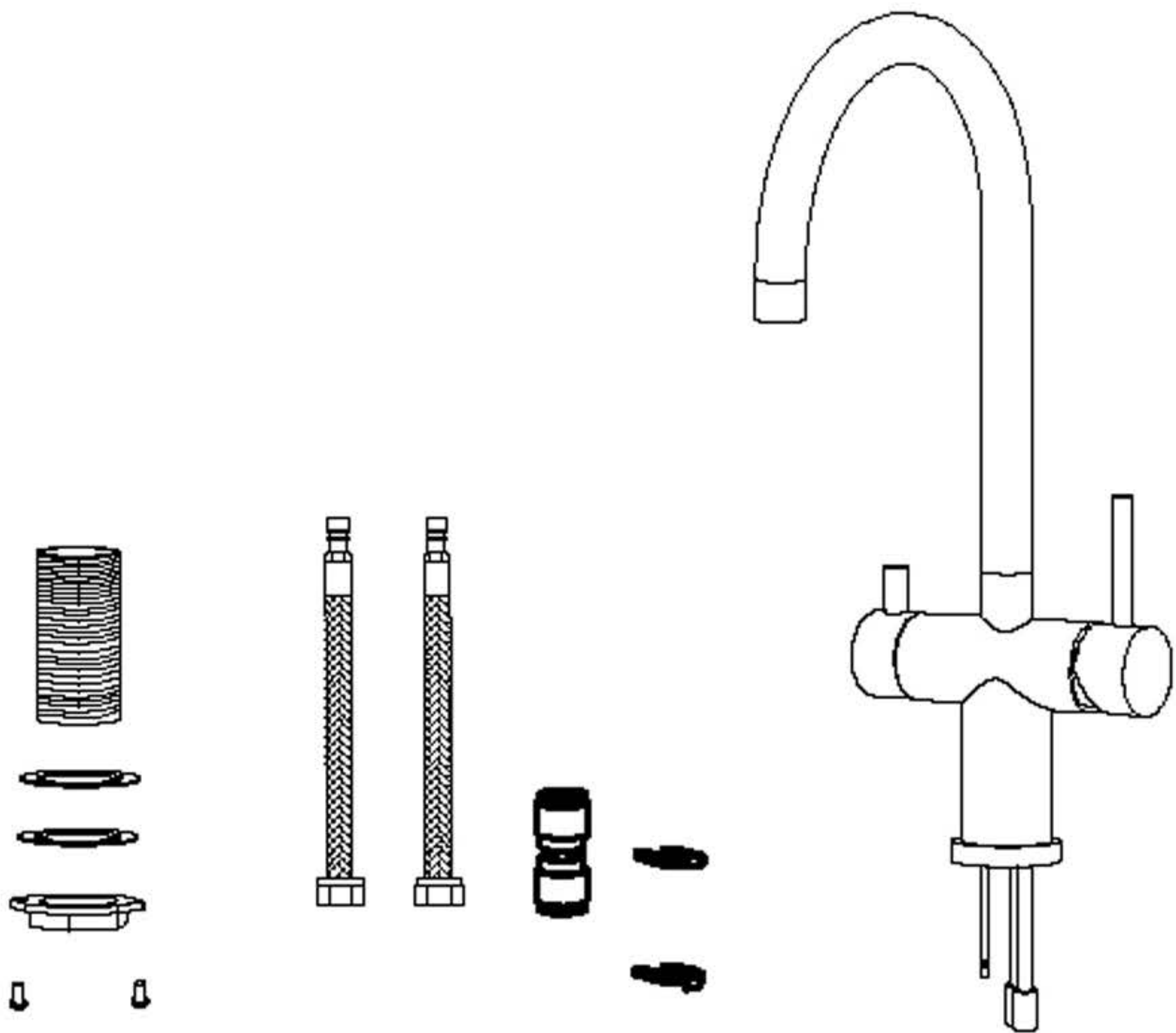


- Connect the mixer to the water supply by connecting the two flexible hoses to the isolating stop valves.
- After full connection to water supply, remove aerator and flush out before initial water test.
- Replace the aerator.

Important Information

We do not recommend dismantling the internal parts of the tap set.

Stainless Steel 3-way Drinking Water Sink Mixer



Instructions

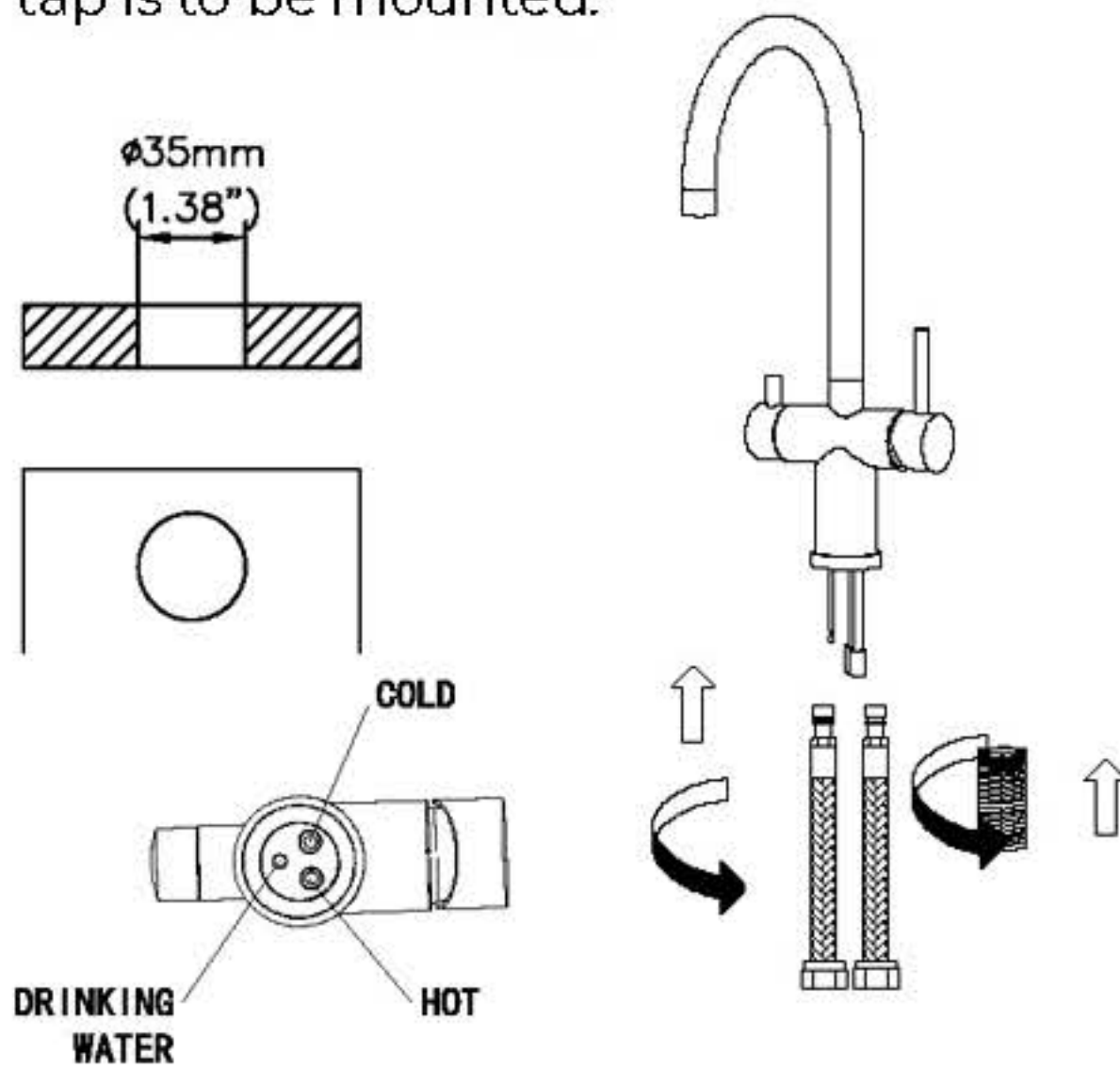
Important Note

Mixer must be installed by a qualified plumber.

A. Please flush out new pipe work prior to connecting the new mixer.

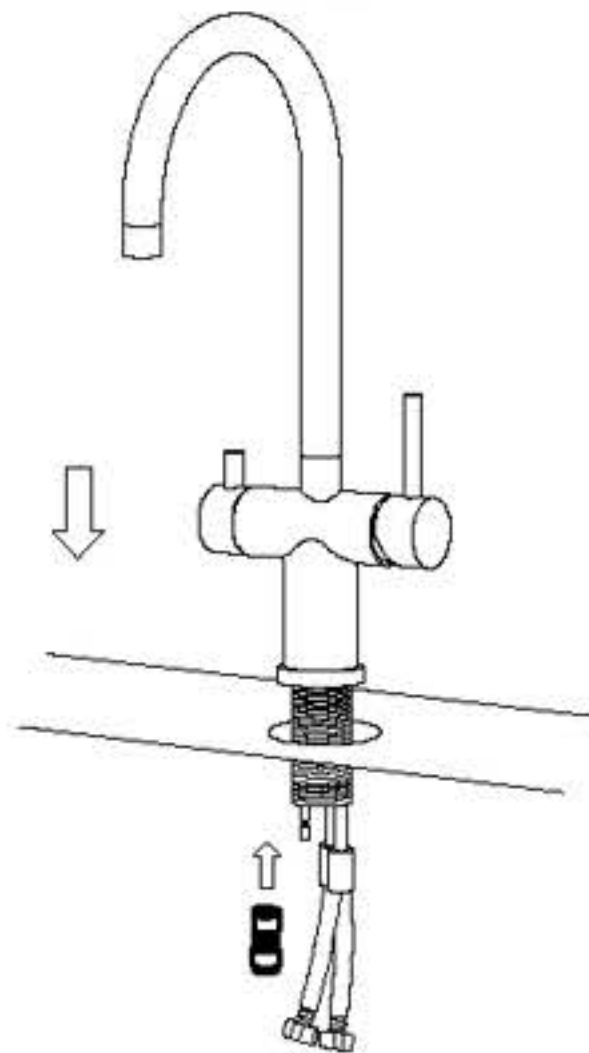
B. All mixers should be installed with isolating stop valves.

1. Drill a hole 34mm to 36mm where the tap is to be mounted.

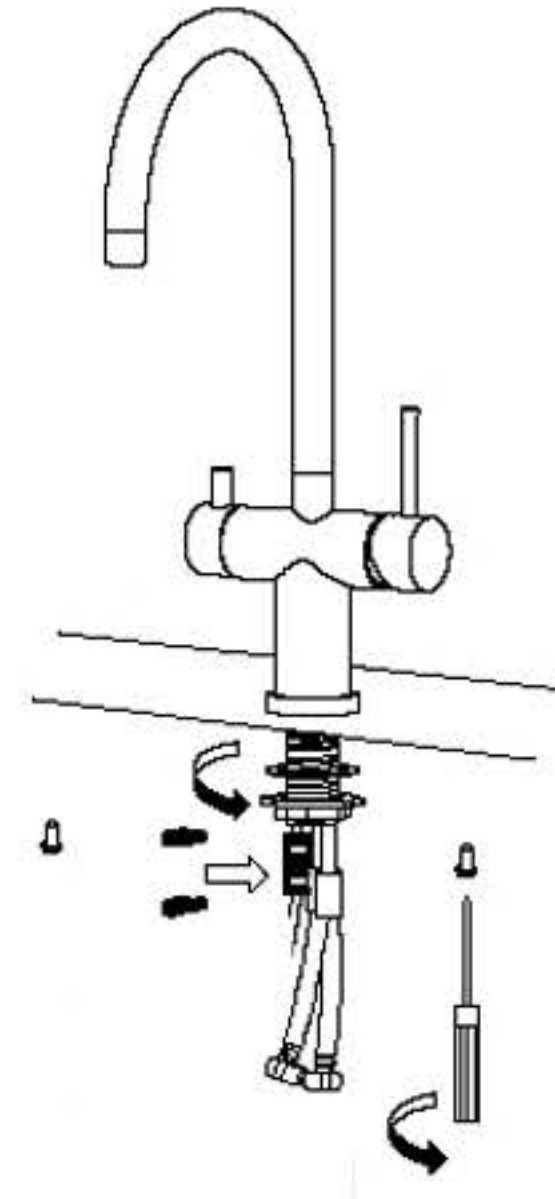


2. Screw in the two flexible hoses.

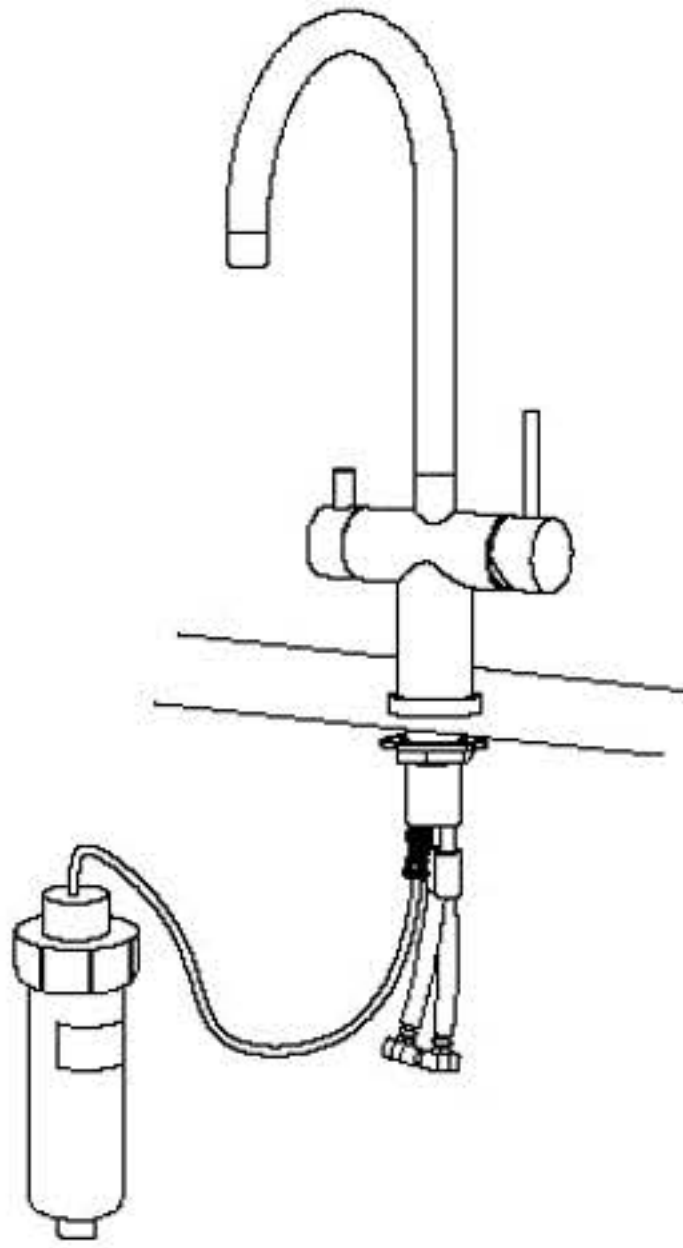
3. Place the tap unit in the pre-punched hole in the sink or basin with the flexible hoses going first.



4. From underneath the basin, fix rubber seal, fixing plate and fixing nut by hand then use a screw driver to tighten both tension screws firmly. Ensure the tap set is firmly attached.



-
5. Connect the mixer to the water purifier



6. Connect the mixer to the water supply by connecting the two flexible hoses to the isolating stop valves.
7. After full connection to water supply, remove aerator and flush out before initial water test.
8. Replace the aerator.

Important Information

We do not recommend dismantling the internal parts of the tap set.