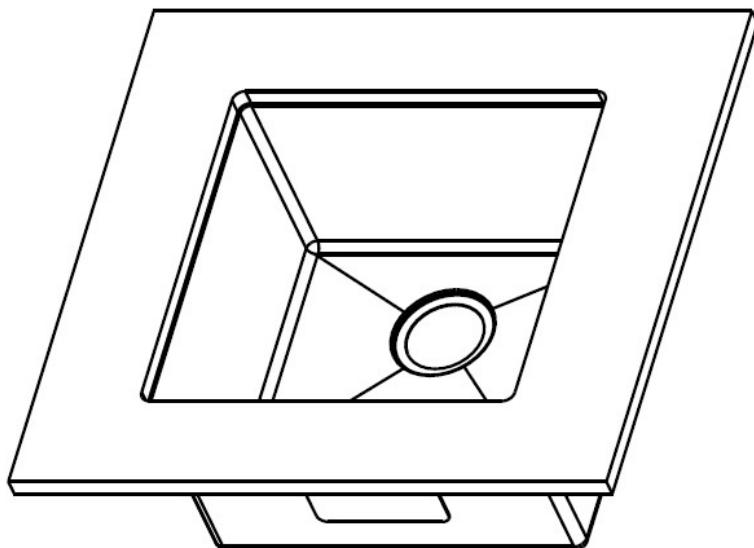


# bower

## Under Mount Sink



## Fitting Instructions

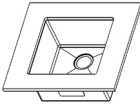

Please follow them carefully and  
leave this manual with end user

# Important Information

**Before installation, please read this guide carefully.**

Unpack the product then read these instructions before proceeding. Inspect the product for damage. If any damage is found, contact our Customer Relations team.

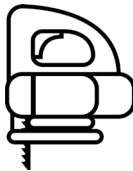
## Items Included:

No.	Description	Picture	Qty
A	Kitchen Sink		1
B	Cutout template		1

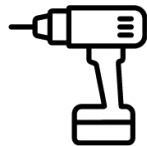
## Tools Required (Not Included):



Silicone Sealant



Jig Saw



Drill



Pencil

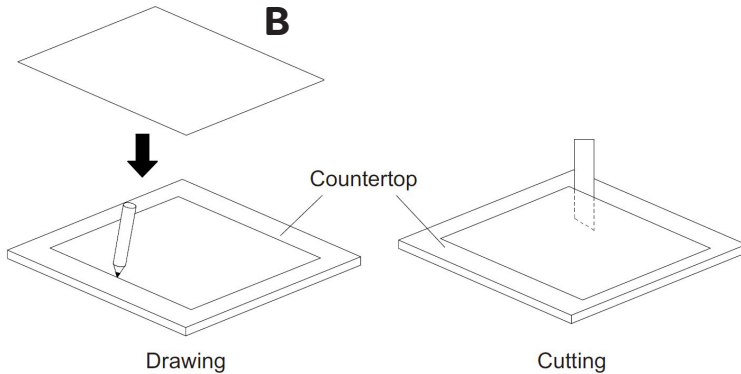


Damp Cloth

# Installation

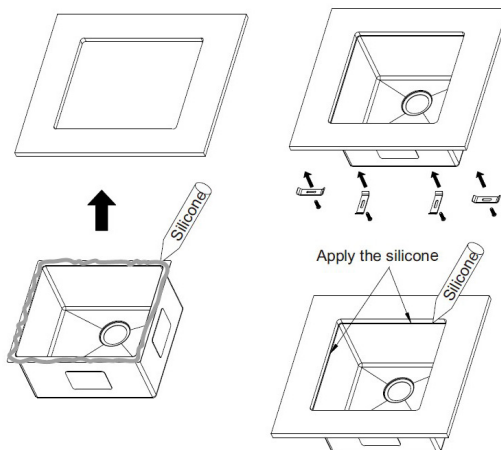
## Step 1: Countertop Cutout

- Cut out the template provided and place onto the work surface.
- Using a pencil draw around the outer edge of the template.
- Using an appropriate Jig Saw cut along the pencil lines.



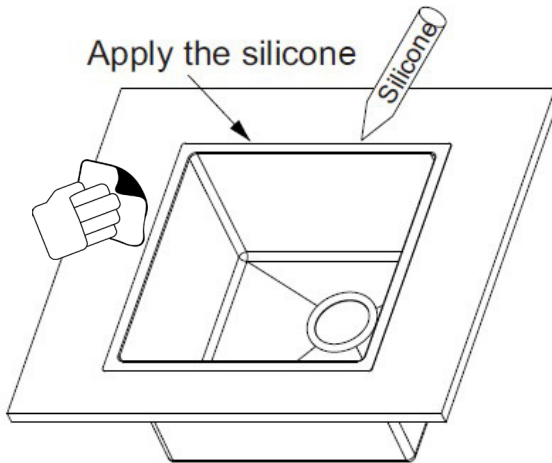
## Step 2: Install The Kitchen Sink

- Using a good quality silicone sealant, pipe a bead around the edge of the kitchen sink.
- **Note:** An appropriate under sink fixing kit should be used relevant to the work surface being installed. Please refer to the instructions of the fixing kit being used in conjunction with this kitchen sink.



### Step 3: Silicone

- Apply a bead of epoxy or silicone adhesive around the top edge of the sink cut-out on the underside of the counter top. This adhesive will help bond the sink to the counter top and create a watertight seal.
- Remove any excess silicone with a damp cloth. Let the silicone dry for 24 hours.



### **WARNING!**

**We recommend that this product is installed by a qualified tradesperson and we accept no liability for products fitted incorrectly.**