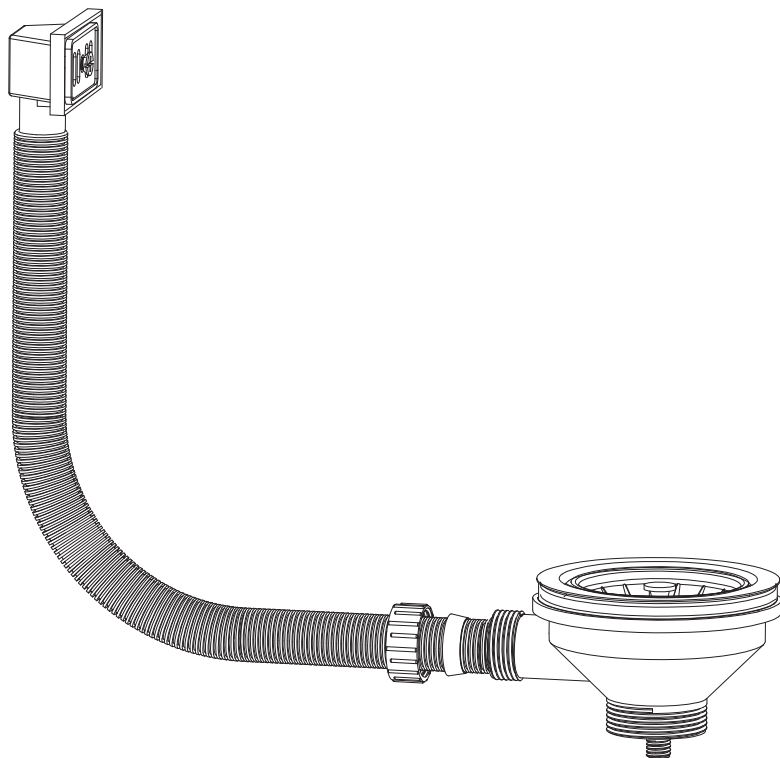


bower

Universal Basket Strainer Waste



Fitting Instructions

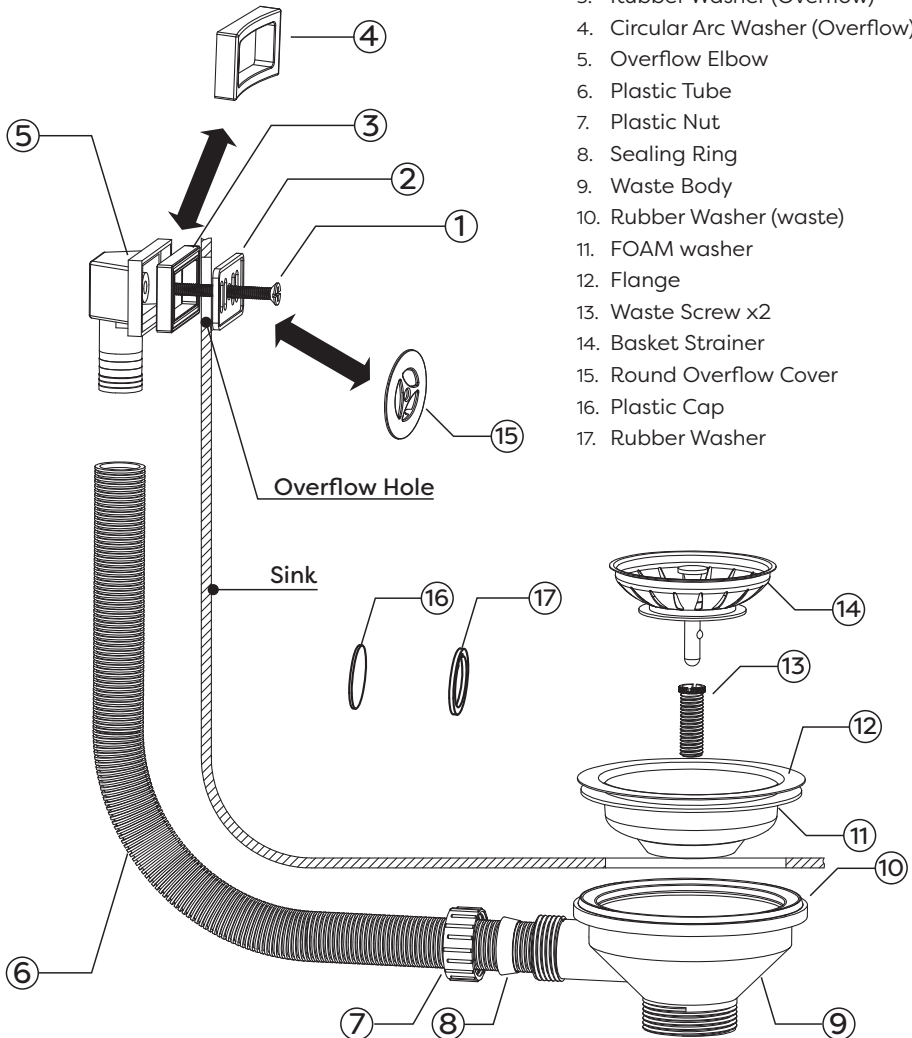
Please follow them carefully and
leave this manual with end user

Before you begin:

1. **We recommend that this product is installed by a qualified tradesperson.** Victorian Plumbing Ltd. accept no liability for products incorrectly installed, or where the correct testing procedures have not been adhered to, thus resulting in the escape of water and consequential damage.
2. Ensure the incoming mains water supply is switched off prior to commencing the installation.
3. Unpack the product then read these instructions before proceeding. Inspect the product for damage. If any damage is found, contact our Customer Relations team.

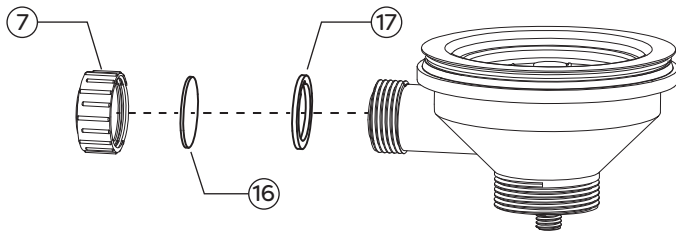
Fitting list:

1. Overflow Screw
2. Overflow Cover
3. Rubber Washer (Overflow)
4. Circular Arc Washer (Overflow)
5. Overflow Elbow
6. Plastic Tube
7. Plastic Nut
8. Sealing Ring
9. Waste Body
10. Rubber Washer (waste)
11. FOAM washer
12. Flange
13. Waste Screw x2
14. Basket Strainer
15. Round Overflow Cover
16. Plastic Cap
17. Rubber Washer



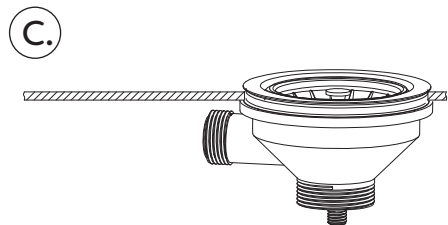
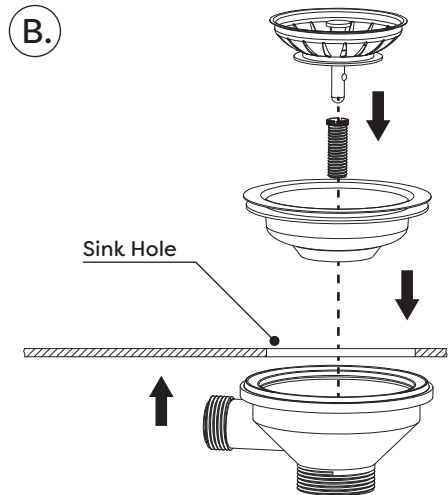
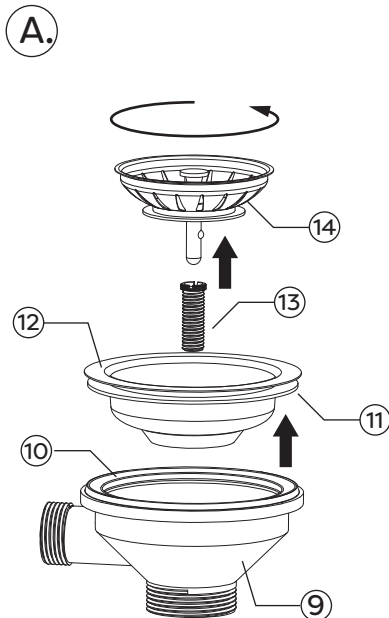
Installation without overflow:

If you do not need to install the overflow parts; place the plastic cap (16) and rubber washer (17) onto the waste body (9). Then tighten using the plastic nut (7) and proceed to install the waste to the sink (see waste installation and ignore overflow installation).



Waste Installation:

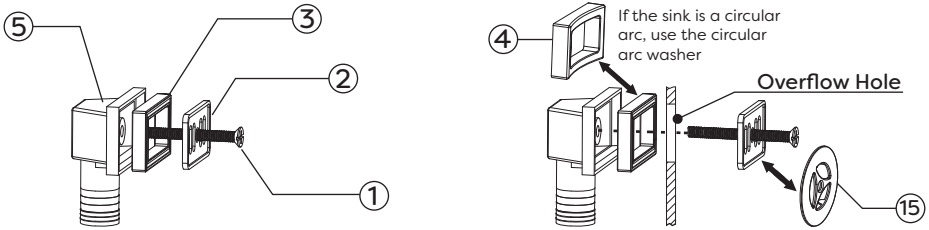
Remove the basket strainer (14) and waste screw (13), then place the flange (12) and foam washer (11) above the sink hole. Attach the rubber washer (10) and waste body (9) to the underside of the sink (ensure the washer is not placed askew), then tighten the waste screw (13). Place the basket strainer (14) into the waste screw (13) (as shown in the diagram below).



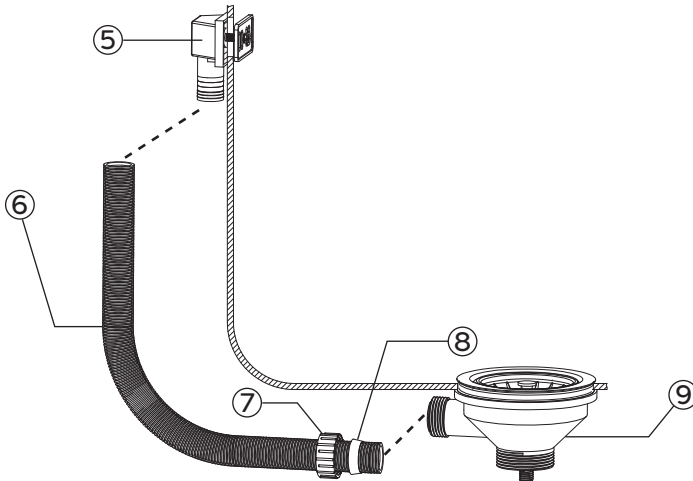
Overflow Installation:

Unscrew the overflow screw (1), then remove the overflow cover (2) and rubber washer (3). Place the overflow elbow (5) and rubber washer (3 or 4) at the rear of the overflow hole sink (as shown in the diagram below). Place the cover (2 or 15) over the overflow hole in front of the sink, tighten the screw (1) to secure cover to the elbow.

Note: The rectangular overflow cover (2) can be exchanged with the round overflow cover (15) according to your needs.



Connect the plastic tube (6) to the overflow elbow outlet (5), making sure the plastic tube does not slip off. Then connect the other side the of plastic tube (5) to the waste body (9), install the sealing ring (8) then tighten the plastic nut (7) to secure in place.



After installation, turn on the water supply. Check **all** joints and connections for any leaks.

Cleaning and Maintenance:

Remove the basket strainer and rinse it under running water to remove any trapped debris. We recommend that you regularly clean your waste with a soft cloth and warm soapy water. Rinse and dry after cleaning. Refrain from using acidic household cleaners, wipes with harsh chemicals, or abrasives, as these will damage the waste.

Recycling and Disposal:

Please recycle the packaging in accordance with your local government regulations on waste handling and follow the same advice at the end of the products life.