

# LED ILLUMINATED ALUMINIUM CABINETS



Please read these instructions carefully before starting installation and keep in a safe place for future reference

Check the contents of the pack carefully before installation. Responsibility will not be held by Crosswater for any de-fit / re-fit costs where faulty product has been fitted. If any fault is found with materials or workmanship, it must be reported immediately to the manufacturer. Remedial action will be taken, based on information received, on condition that: 1. Full details are supplied to the manufacturer; 2. The product has not been modified or tampered with; 3. The manufacturer is informed of any damage/shortages prior to installation. 4. The product has not been installed, or attempts made to install. We do not accept responsibility for any problems that may occur through incorrect installation. ENSURE the room is well heated and ventilated.

Before drilling ensure there are no hidden cables or pipes(water, gas or electrical) behind hanging points. Always wear suitable eye protection when drilling. Ensure the wall surface is able to take the weight of the complete product.

It is important to install electric fittings in the correct bathroom zone i.e. the zone referred to in the IP rating of the element. Reference should be made to the latest edition of the IET Wiring Regulations or a qualified electrician member of NICEIC/IET.

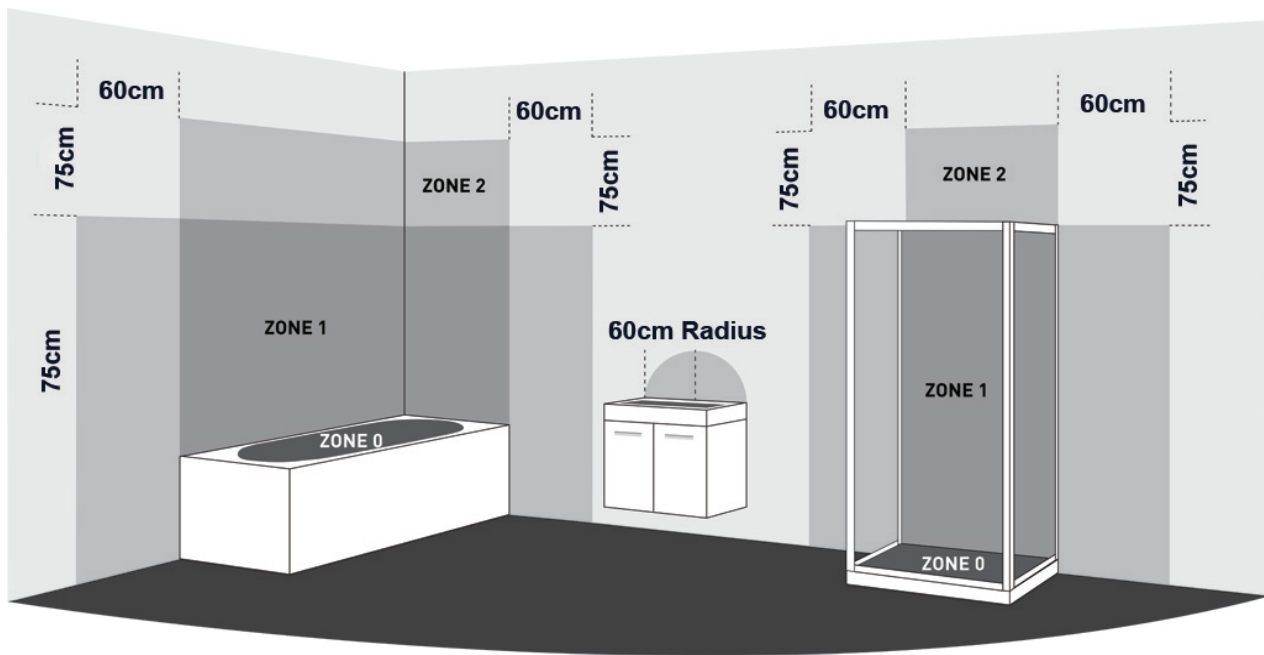
ZONE 0 is inside the bath or shower tray itself. Any appliance used in this zone must be rated at least IP67 which is total immersion proof.

ZONE 1 is the area above the bath or shower tray to a height of 2.25m from the floor. In this zone a minimum rating of IPX4 Splash-proof is required and elements must also be protected by a 30mA residual current device (RCD) to protect the circuit.

The electrical connection to the power supply for these appliances must be in Zones 2/3 of the bathroom in compliance with BS 7671:2008(2011) - IET Wiring Regulations.

ZONE 2 is an area stretching 0.6m outside the perimeter of the bath and to a height of 2.25m from the floor. In this zone an IP rating of at least IP44 is required. In addition it is good practice to consider the area around a washbasin, within a 60cm radius of any tap to be considered as zone 2.

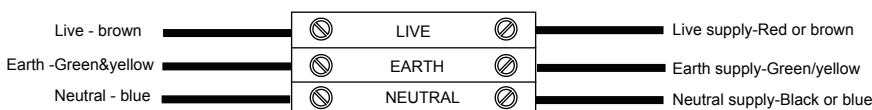
Failure to have electrical products installed and certificated by a qualified electrical engineer will invalidate any product guarantee. For full details reference should be made to the latest copy of the IET wiring regulations and all applicable British Standard and European norm specifications.



## IMPORTANT ADVICE & SAFETY

This product is IP44 rated and suitable for installation with zone 2 and 3 as above. The product complies with electrical safety standards BS EN 60598-1:2008=A11: 2009 and BS EN 60598-2-1:1989

### WIRING DIAGRAM

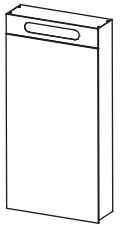


This product is Class I rated and MUST be earthed. Supply 240v/50hZ maximum

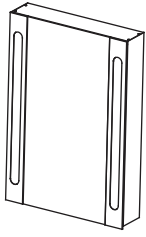


# INSTALLATION INSTRUCTIONS

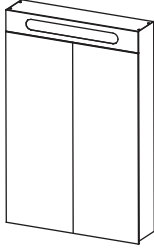
It is recommended that walls are fully tiled before cabinet installation, This ensures that the product is installed flat to the tile face and allows product to be easily removed if required in the future. Remove all outer packing and carefully check the product is in perfect condition. The mirror is supplied with a protective film DO NOT remove this until installation is complete.



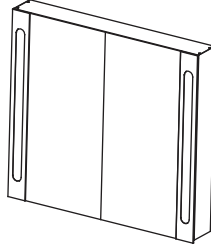
CB4080AL



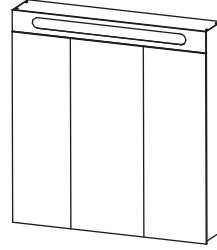
CB5580AL



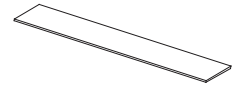
CB6080AL



CB8080AL



CB9080AL



3x (6xglass shelves for 3doors cabinet)



7x



7x



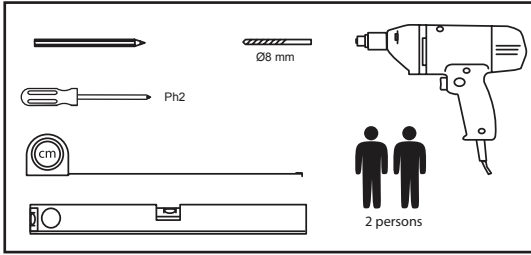
2x



1x

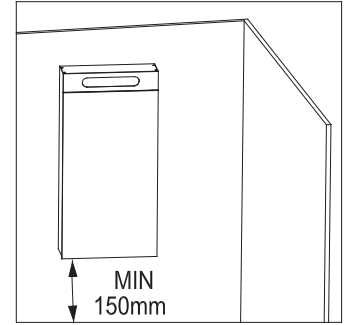


1x



## IMPORTANT

The product must be installed with a minimum distance of 150mm between the infrared sensor and an adjacent wall surface, countertop or other object to ensure correct function of the sensor.

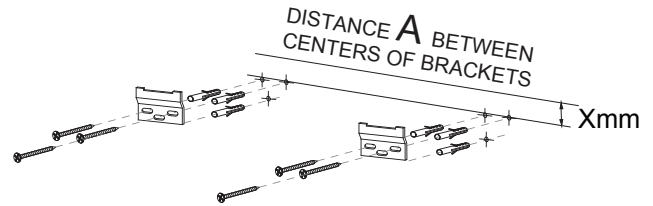
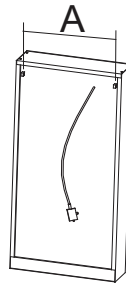


## STEP 1

Offer the cabinet up to the desired wall location considering the safety zone requirements. We recommend that the cabinet is hung at least 200mm above any washbasin/countertop. Using spirit level ensure the cabinet is level and upright. Using a soft pencil mark carefully draw a horizontal line on the wall corresponding with the top of the cabinet.

Take note of the electrical supply point(s) for the cabinet, mark this detail on the wall. Place the cabinet in a safe place.

On the wall surface measure down from the pencil line the distance detailed right. Measure the distance A between hanging bracket centres, then mark the drilling points for the hanging brackets as shown below.



CB4080AL / CB6080AL : Xmm=70mm

CB5580AL / CB8080AL : Xmm=55mm

## STEP 2

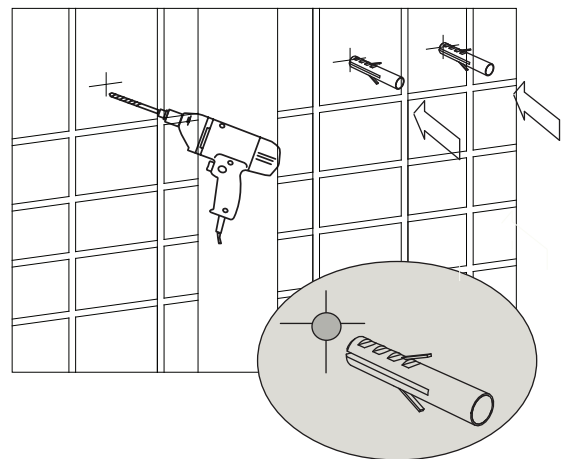
Carefully drill the required holes and insert wall plugs. Note screws and plugs supplied are suitable for solid walls only.

Prepare the power supply, 240V/50HZ maximum.



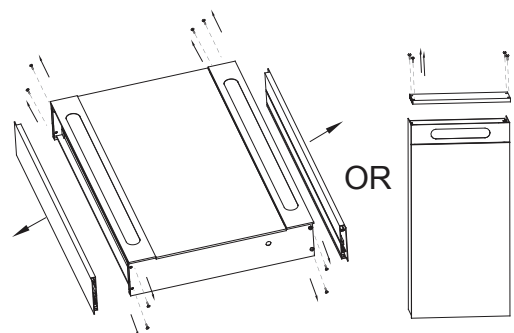
ENSURE THAT THE MAINS VOLTAGE SUPPLY TO WHICH THE CABINET IS BEING CONNECTED IS ISOLATED

The cabinet is manufactured to Class 1 and requires an earth connection. All electrical work and testing must be completed by a qualified electrical engineer in accordance the latest IET Regulations.



## STEP 3

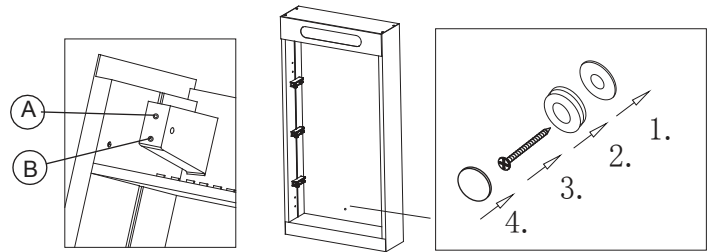
To access the hanging system open remove the top or right and left side profiles depending on the model of cabinet - shown right. Be careful not to allow the screwdriver to slip, this may damage the cabinet carcass finish. Keep the screws in a safe place.



## STEP 4

To hang the cabinet, using the Allen key provided turn screw B to allow the hanging claws to protrude from the back of the cabinet. Lift up the cabinet onto hanging brackets and securely engage the hanging claws on the brackets. Using a spirit level adjust the angle of the cabinet to the wall by turning screw A, once level secure the cabinet to the wall by tightening screw B on both hanging claws.

Finally fix the carcass of the cabinet to the wall with screw and cover cap provided see right



## STEP 5

Remove the cover from the electrical connection box. Using a suitable terminal screwdriver make secure connections as follows:

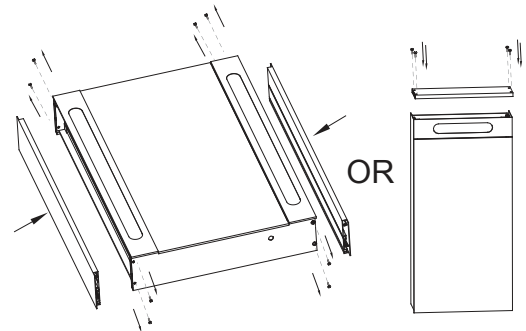
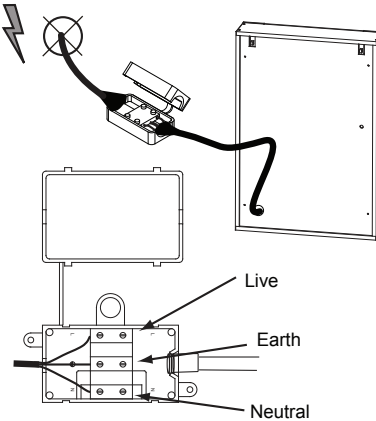
Colour Coding:  
L - Live = Brown  
N - Neutral = Blue  
Earth = Green & Yellow



THIS PRODUCT IS MANUFACTURED TO CLASS I CATEGORY AND MUST HAVE AN EARTH CONNECTION

Close the connection box cover. Restore the mains supply and test the function of the lights and shaver socket. See operating instructions below.

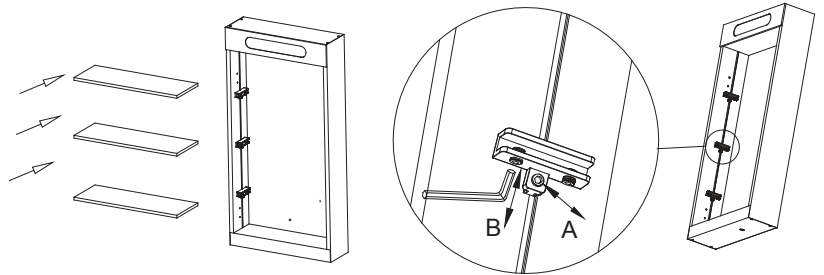
Replace the top or side profiles



## STEP 6

On double door cabinets it is necessary to remove one door to enable the shelves to be fitted.

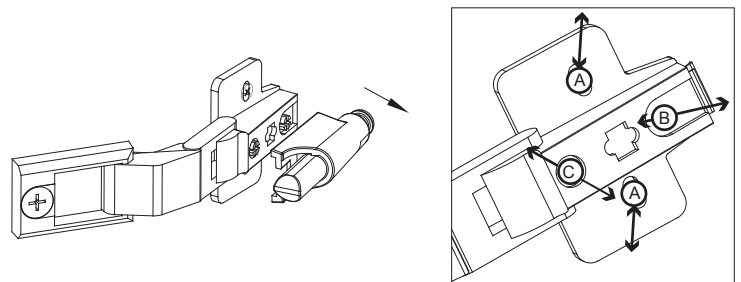
Insert the glass shelves into the clips on the inside profile, adjust to required height by carefully sliding up or down. Once at the desired height using the Allen key provided tighten screw A. Then tighten the shelf retaining screw B.



## STEP 7

The doors are aligned during production. However if re-alignmnet is required first remove the soft close buffer from the bottom hinge - see right.

All of the cabinet hinges have 3 way adjustment, simple adjust screws A, B and C as required - see right. Replace the soft close buffer.

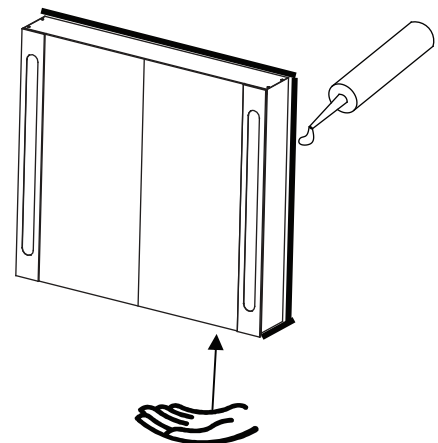


## STEP 8

Run a bead of clear silicone sealant on all four sides between the cabinet carcass and wall surface. Allow 24 hours to set before loading or using the cabinet.

## OPERATING INSTRUCTIONS

To turn the cabinet lights on or off, activate the switch by passing your hand over the sensor. It is not necessary to touch the sensor switch.



## Tube Type

Model	Led Parameter	Led Drive
CB4080AL	15 Leds / 0.2W / 6400K	3W
CB5580AL	39x2 Leds / 0.2W / 6400K	15W
CB6080AL	27 Leds / 0.2W / 6400K	6W
CB8080AL	39x2 Leds / 0.2W / 6400K	15W
CB9080AL	45 Leds / 0.2W / 6400K	9W

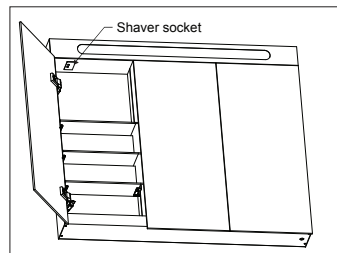
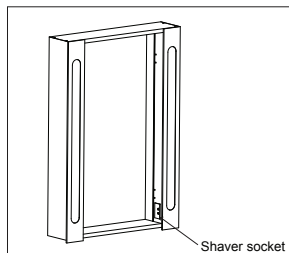
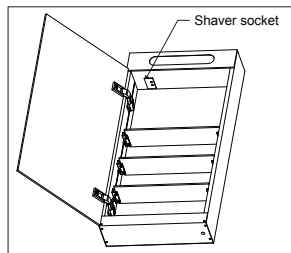
## Position of Shaver socket

Tube Type:

CB4080AL / CB6080AL

CB5580AL / CB8080AL

CB9080AL



## Reversible Door For CB4080AL and CB5580AL

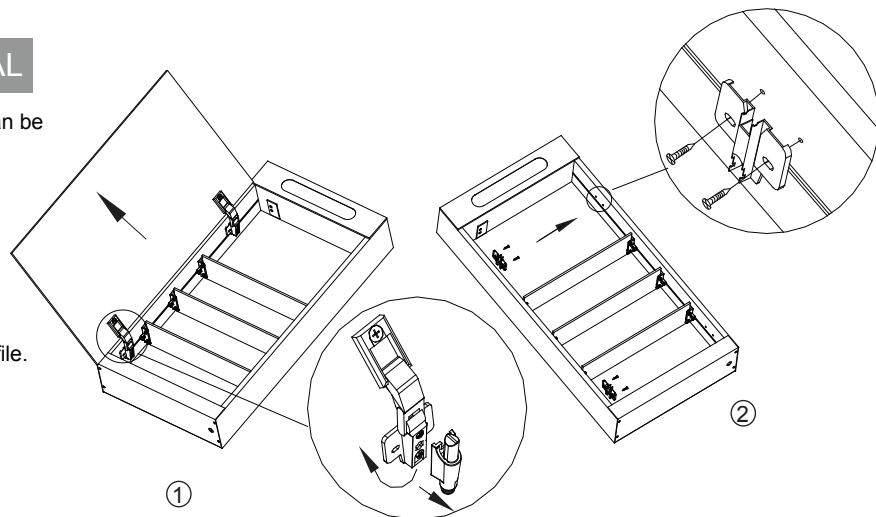
Models CB4080AL and CB5580AL have a reversible mirror door, it can be switched from left to right hand opening.

Remove the soft close buffer and pull the lever towards the center of the cabinet to release the door.

Release the hinge brackets and replace them onto the right profile, make sure the screws are correctly tightened.

Reposition the mirror door on the hinge brackets fixed at the right profile.

If the door is not aligned, please adjust the hinges as per Step 7.



Waste Electrical & Electronic Equipment Regulations (WEEE) requires that any electrical products showing the mark above must not be disposed of with other household or commercial waste. To prevent possible harm to the environment or human health from uncontrolled waste disposal, please separate any such product from other waste types and recycle it responsibly at your local facilities. Check with your Local Authority, Recycling Center or retailer for recycling advice.

## Care and Maintenance

Do not strike/hit glass components with hard or pointed items. Do not place very hot or very cold items against or in close proximity to glass surfaces unless a suitably thick insulation material is used. Do not place hot items on or against the cabinet carcass

If the mirror door or a glass shelf becomes broken, replace immediately. For details on replacement glass and other components our contact customer services department on the number below.

Cleaning:

NEVER use products containing bleach, cleaners of a gritty or abrasive nature or so called "glass and mirror" cleaning products, that can be detrimental to the long lasting finish of the mirror.

ONLY use a clean micro fibre cloth.

For any further information please contact:

Bauhaus on: 0845 873 8840

Or visit our web-site at:

[www.crosswater.co.uk](http://www.crosswater.co.uk)

The manufacturer reserves the right to make technical modifications without prior notice.

**bauhaus**