

**Tools & equipment needed:** Drill, 8mm Suitable drill bit, 3.5mm General drill bit, Suitable size hole cutters, Phillips screwdriver, Spirit level, Ruler/tape measure, Pencil, Silicone sealant (clear).

## ⚠ IMPORTANT - Advice and safety - Please read before installation

**Please read these instructions carefully before starting installation and keep in a safe place for future reference.**

Check the contents of the pack carefully before installation. Bauhaus will not be held responsible for any de-fit / re-fit costs where faulty product has been fitted.

If any fault is found with materials or workmanship, it must be reported immediately to the manufacturer. Remedial action will be taken, based on information received, on condition that:

1. Full details are supplied to the manufacturer; 2. The product has not been modified or tampered with; 3. The manufacturer is informed of any damage/shortages prior to installation.

We do not accept responsibility for any problems that may occur through incorrect installation.

### ⚠ Advice & Safety

This product should only be installed by a suitably qualified Plumber/installer. Should the installation be completed by a non-qualified person any product guarantee maybe considered invalid. For a claim made under our warranty written certification of your installers qualifications can be required.

It is advised that all doors and drawers are removed prior to fitting to avoid unnecessary damage occurring.

Ensure the room is well heated and ventilated.

It is recommended that walls are fully tiled before furniture and accessory installation. This ensures that the product is installed flat to the tile face and allows product to be easily removed if required in the future.

These instructions have been prepared for your guidance, you must exercise due care at all times.

Please note that some units are heavy. Always take care when lifting, and follow health and safety guidelines. It is recommended that 2 people carry out the installation of larger basin/vanity units.

Handle glass with care. Although the glass supplied is toughened safety glass (to BS6206), impacts can damage both the glass and the furniture.

**Warning!** Please check for any hidden pipes or electrical cables before drilling holes in the floor or walls.

When using power tools always follow the manufacturer's user instructions.

Do not over tighten tap or waste fittings, doing so may result in damaging the basin.

### Care & Cleaning

**NEVER** use products containing bleach, cleaners of a gritty or abrasive nature or so called "glass and mirror" cleaning products. Use a well wrung chamois leather or micro fibre cloth for furniture carcasses.

Ceramic fine fire clay wash basins should only be cleaned with a mild detergent or warm soapy water; in hard water areas a good quality limescale remover can be applied.

Clean mirrors only with a micro fibre cloth.

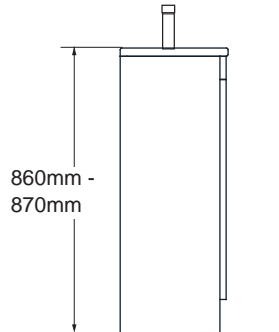
If any maintenance is required then it must be carried out by a qualified Plumber.

**bauhaus**

INSTALLATION INSTRUCTIONS

Single Door Basin Unit & Basin Installation - 500 Basin Unit

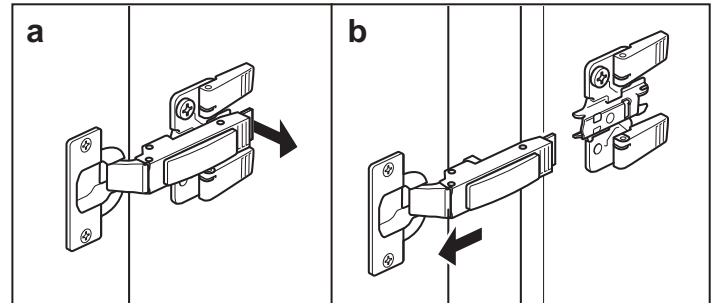
Step 1



**Plan unit position: Basin**

Decide on the position of the unit.

Step 2



Remove the door/s before installation.

**a:** Lift the tab (shown) on all hinges, to release.

**b:** Pull door/s back.

Step 3

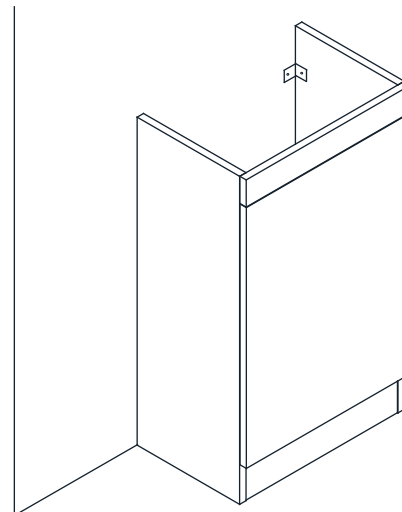
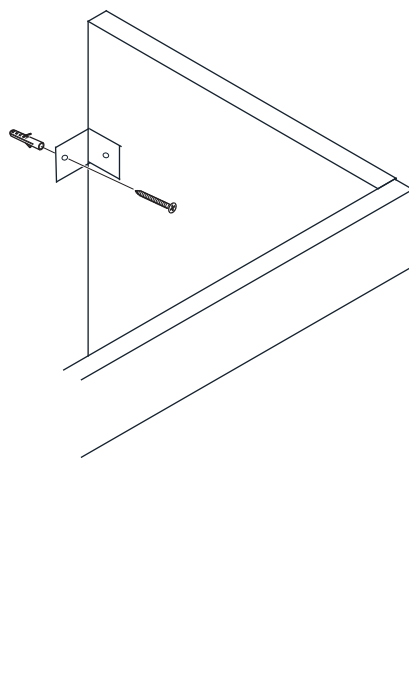
**'Wall bracket' installation**

Use the measurements above, to position the 'wall brackets'.

**a:** Place the unit on the furniture site

**b:** Mark the bracket fixing holes onto the wall. Drill Ø 8mm holes, insert the wall plugs supplied on solid walls, use suitable wall fixings for dry-wall (not supplied).

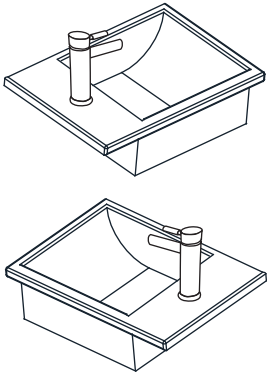
**Important:** If the basin unit and/or basin are not fitted level this may result in the basin not draining correctly.



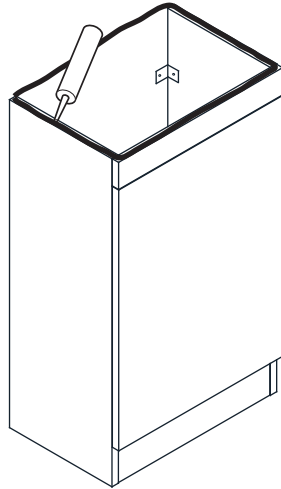
## Step 4

### Basin Installation

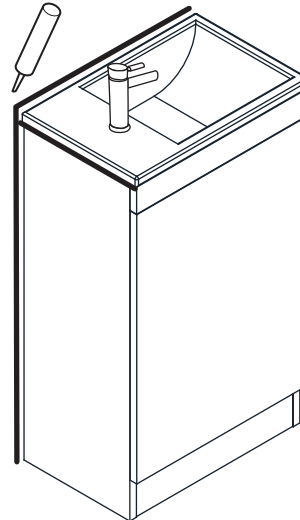
a



b



c



**a:** Attach the tap to basin and carefully bed in the waste using silicone **only**.

**b:** Carefully apply silicone to the top edges of the unit.

**c:** Carefully position the basin down onto the unit, ensure it is centrally positioned and flush at the back.

Connect the tap and waste.

Apply silicone to the join between the basin and wall and down sides of the unit.

Leave silicone, 24 hours to dry.

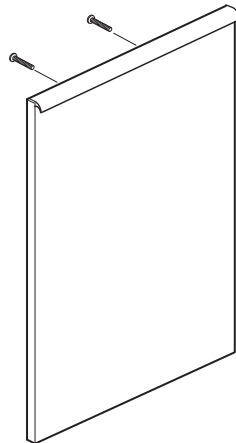
**Note:** Basin waste and taps fittings when over tightened can create stress within the basin material which may in time cause the failure of the product. Waste fittings should be carefully bedded in silicone and the back nut hang tightened

an additional quarter turn using a suitable spanner is sufficient to create the required watertight seal. Care should also be taken when fitting brassware to tap platforms in order to prevent similar stress related failures.

## Step 5

### 500 Single door units

**Attach handle:** Attach the handle to the door back.



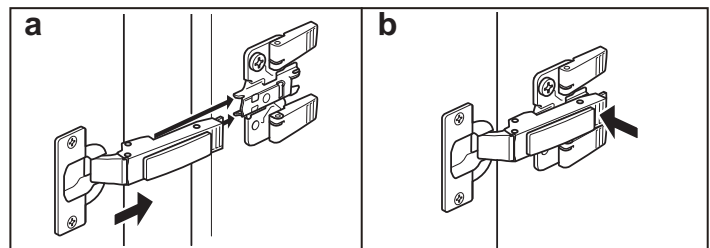
## Step 6

**Note:** Only re-fit door now if **not** changing the opening side (see next page).

### Re-fit door:

**a:** Reposition both hinges onto the hinge plates.

**b:** Push the front until the hinge 'clicks' into position.

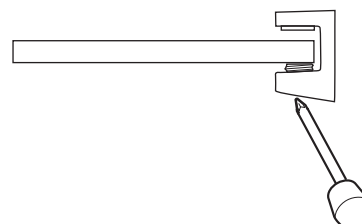
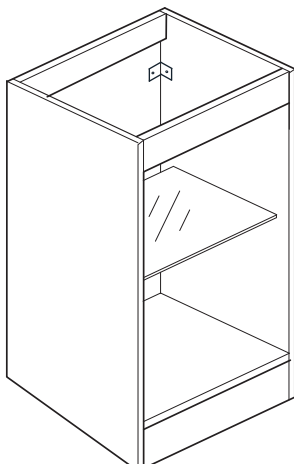


## Step 7

### Fit glass shelf

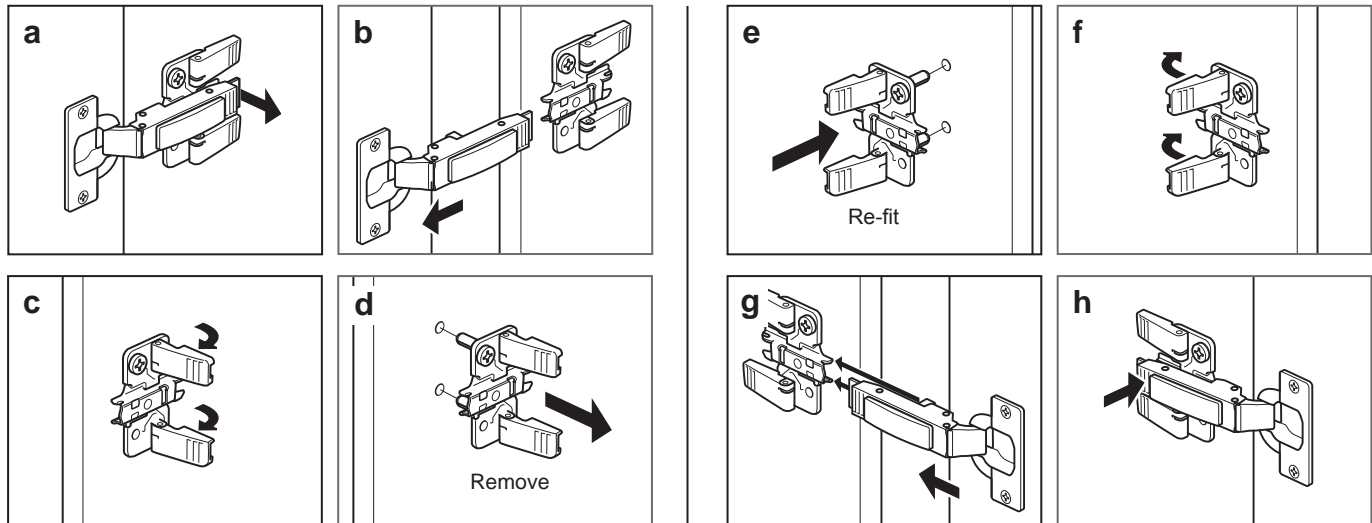
Place the glass shelf inside the shelf support.

Screw the rubber bold with a screwdriver.



If changing the door opening side or the door alignment needs adjusting, follow the instructions below.

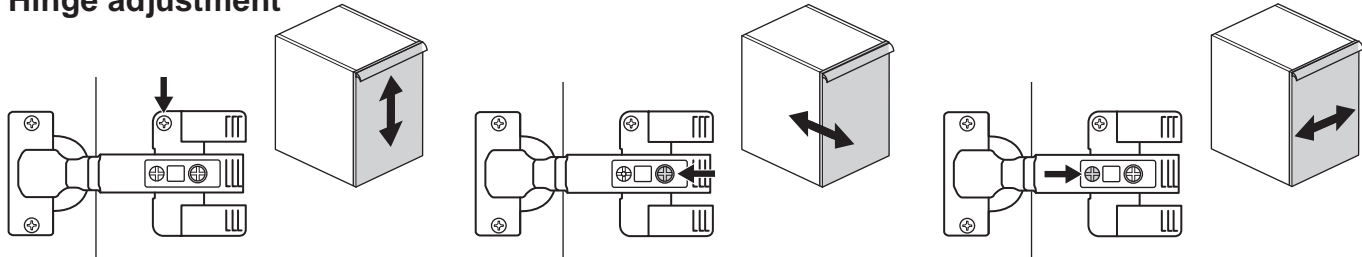
### Changing door opening side



**a:** Lift tab (shown) on both hinges, to release the hinges.  
**b:** Pull door back. **c:** Lift the hinge plate tabs. **d:** Remove the hinge plates.

**e:** Re-fit both hinge plates on the opposite side. **f:** Fold hinge plate tabs back. **g:** Rotate door. Reposition both hinges onto the back plates. **h:** Push the front until the hinge 'clicks' into position. Attach the handle to the top set of holes on the door.

### Hinge adjustment



**To move door up or down:** Turn screw shown to move door up or down to suit.

**To move door in or out:** Turn screw shown to move door in or out to suit.

**To move door left or right:** Turn screw shown to move door left or right to suit.

**bauhaus**

For any further information please contact Bauhaus on: **0845 873 8840**

Or visit our web-site at:  
[www.crosswater.co.uk](http://www.crosswater.co.uk)

The manufacturer reserves the right to make technical modifications without prior notice.