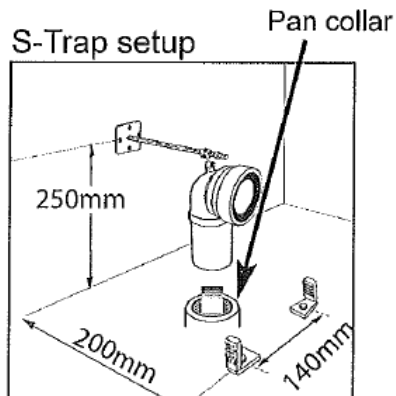


## INSTALLATION INSTRUCTIONS

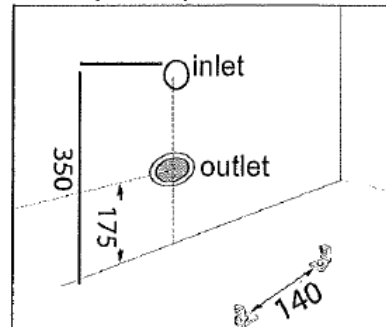
### Note

All measurements for roughing in should be taken from finished wall/floor. Dimensions shown are nominal measurements only.

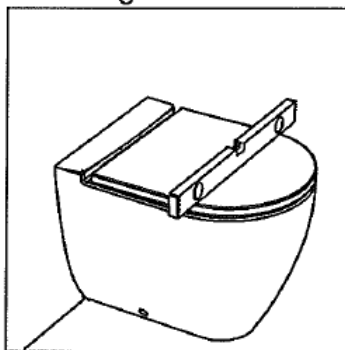
1. Rough in positions of water inlet and waste outlet.
2. Mark out and drill floor fixing brackets into position (140mm apart, 200mm from finished wall) and mark out and prepare plate, rod and plastic bend if installing the waste into the floor via a pan collar.
3. Fix the pan bend connector back to the wall using the rod and bracket.
4. Align and push pan back to wall, connecting pan spigot into waste bend and pan inlet into flush pipe and keeseal.
5. Check pan is level.
6. Fix pan by using the fixing screws through the fixing holes into the floor fixing brackets.
7. Flush pan to check connections for leaks.
8. Apply flexible sealant around base and rear of pan to seal to wall and floor.



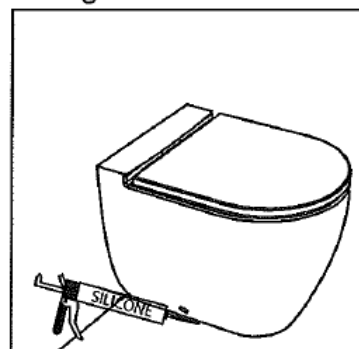
### P-Trap setup



### Levelling

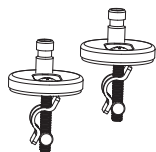


### Fixing



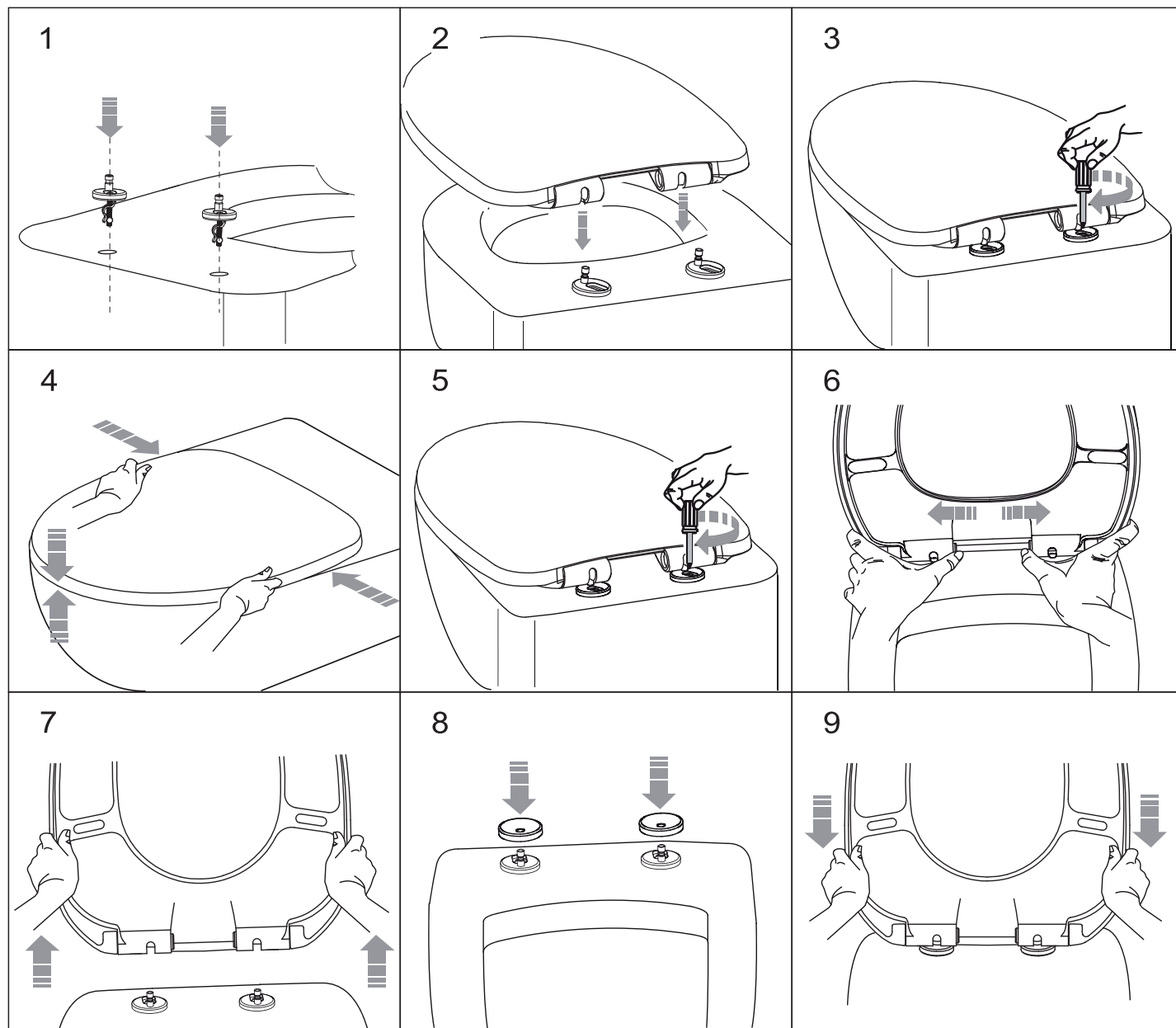
Plumbers, please ensure a copy of the installation instructions is left with the end user for future reference

# Installation



**bauhaus**

For Wall Hung Pan



P400

## Cleaning and Care

These WC seats are made from environmentally friendly materials. The smooth, non-porous surface is ideal for maintaining hygienic conditions. Do not use abrasive cleaning products or products containing chlorine or acids, as these may cause yellowing or peeling of the material. Neutral soap or mild, natural household cleaning products are the best for effective, problem-free cleaning. Leave the seat and lid up whenever strong cleaning products are left in the bowl of the WC pan to prevent damage from vapours.

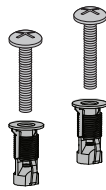
For any further information please contact  
bauhaus on: **0345 873 8840**

Or visit our web-site at:

**[www.bauhaus-bathrooms.co.uk](http://www.bauhaus-bathrooms.co.uk)**

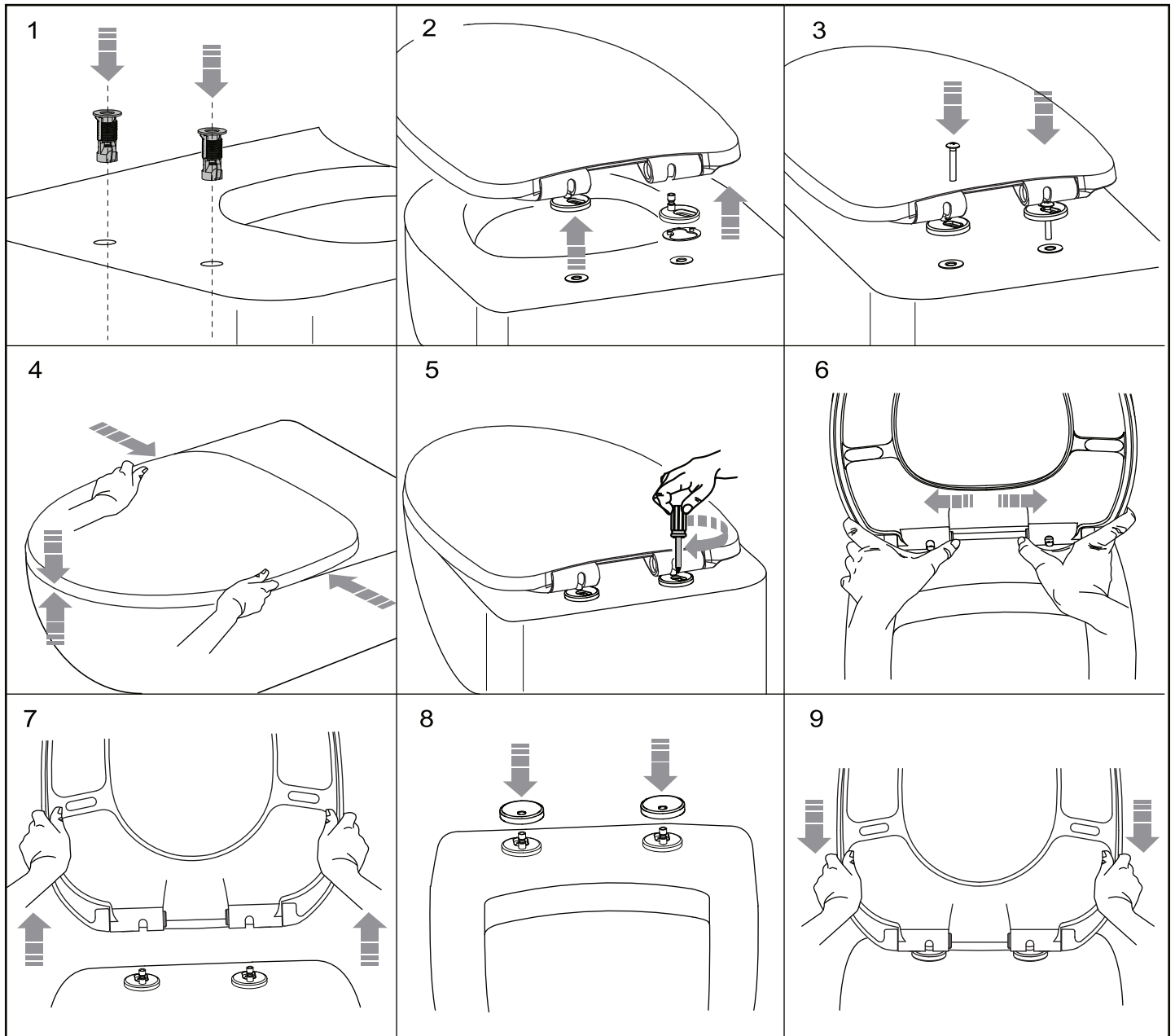
The manufacturer reserves the right to make technical modifications without prior notice.

# Installation



**bauhaus**

For Back to Wall and Close Coupled Pans



P400

## Cleaning and Care

These WC seats are made from environmentally friendly materials. The smooth, non-porous surface is ideal for maintaining hygienic conditions. Do not use abrasive cleaning products or products containing chlorine or acids, as these may cause yellowing or peeling of the material. Neutral soap or mild, natural household cleaning products are the best for effective, problem-free cleaning. Leave the seat and lid up whenever strong cleaning products are left in the bowl of the WC pan to prevent damage from vapours.

For any further information please contact  
bauhaus on: **0345 873 8840**

Or visit our web-site at:

**[www.bauhaus-bathrooms.co.uk](http://www.bauhaus-bathrooms.co.uk)**

The manufacturer reserves the right to make technical modifications without prior notice.