

Tools & equipment needed: Drill, 8mm Suitable drill bit, Phillips screwdriver, Spirit level, Ruler/tape measure, Pencil, Silicone sealant (clear).

IMPORTANT - Advice and safety - Please read before installation

Please read these instructions carefully before starting installation and keep in a safe place for future reference.

Check the contents of the pack carefully before installation. Bauhaus will not be held responsible for any de-fit / re-fit costs where faulty product has been fitted.

If any fault is found with materials or workmanship, it must be reported immediately to the manufacturer. Remedial action will be taken, based on information received, on condition that:

1. Full details are supplied to the manufacturer; 2. The product has not been modified or tampered with; 3. The manufacturer is informed of any damage/shortages prior to installation.

We do not accept responsibility for any problems that may occur through incorrect installation.

Advice & Safety

This product should only be installed by a suitably qualified Plumber/installer. Should the installation be completed by a non-qualified person any product guarantee maybe considered invalid. For a claim made under our warranty written certification of your installers qualifications can be required.

It is advised that all doors and drawers are removed prior to fitting to avoid unnecessary damage occurring.

Ensure the room is well heated and ventilated.

It is recommended that walls are fully tiled before furniture and accessory installation. This ensures that the product is installed flat to the tile face and allows product to be easily removed if required in the future.

These instructions have been prepared for your guidance, you must exercise due care at all times.

Please note that some units are heavy. Always take care when lifting, and follow health and safety guidelines. It is recommended that 2 people carry out the installation of larger basin/vanity units.

Handle glass with care. Although the glass supplied is toughened safety glass (to BS6206), impacts can damage both the glass and the furniture.

Warning! Please check for any hidden pipes or electrical cables before drilling holes in the floor or walls.

When using power tools always follow the manufacturer's user instructions.

Care & Cleaning

NEVER use products containing bleach, cleaners of a gritty or abrasive nature or so called "glass and mirror" cleaning products. Use a well wrung chamois leather or micro fibre cloth for furniture carcasses.

Resin wash basins should only be cleaned with a mild detergent or warm soapy water; in hard water areas a good quality lime-scale remover can be applied.

Clean mirrors only with a micro fibre cloth.

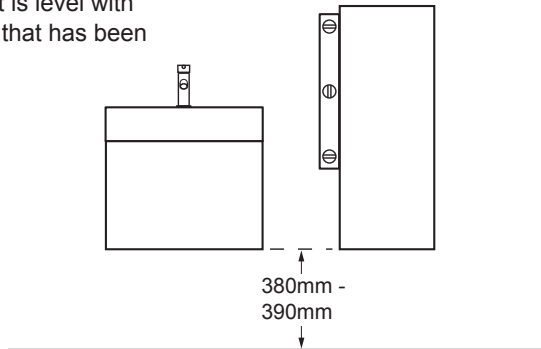
If any maintenance is required then it must be carried out by a qualified Plumber.

Storage Unit installation - Half Tower Storage Unit is shown as a typical example

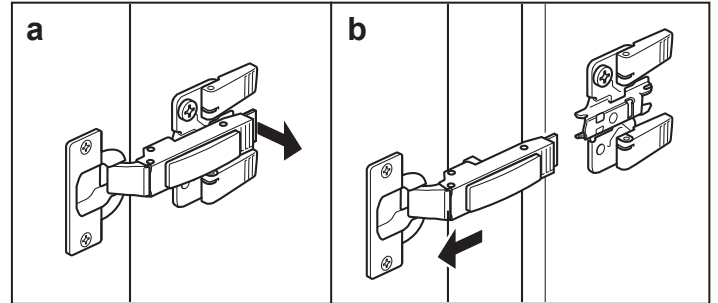
Step 1

Plan unit position

We suggest positioning the tower unit so it is level with any other unit that has been installed.



Step 2



Remove the doors before installation.

a: Lift the tab (shown) on all 4 hinges, to release.

b: Pull doors back.

Step 3

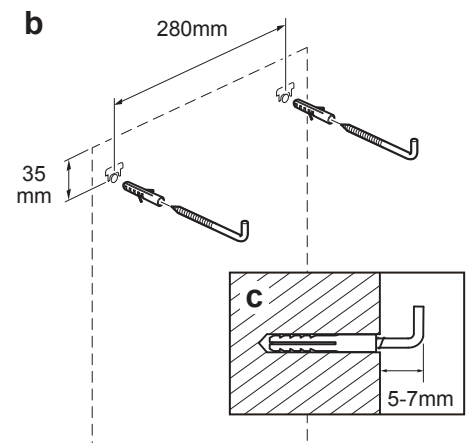
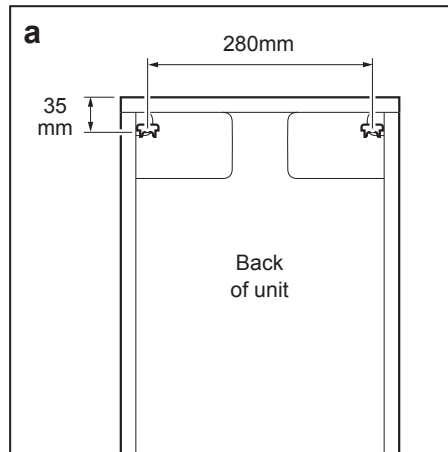
a: Use the measurements opposite to position the 'hanging hooks' on to the wall.

b: Mark the fixing hole positions onto the wall.

Drill \varnothing 8mm holes, insert the wall plugs and the 'hanging hooks'.

c: The 'hanging hooks' should protrude from the wall by 5-7mm.

Position the unit on the 'hanging hooks'.



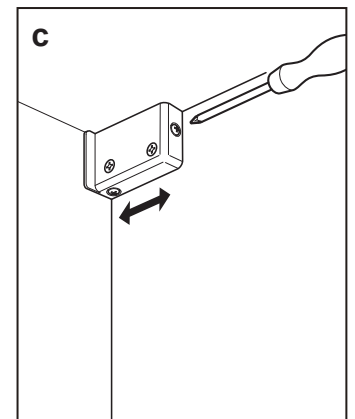
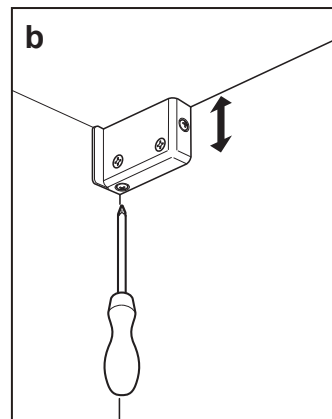
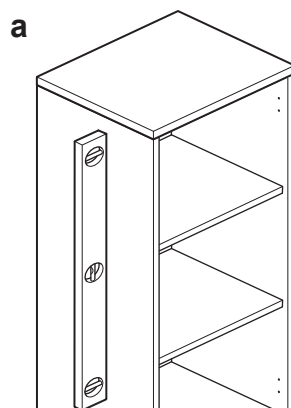
Step 4

a: Check the unit is level.

If leveling is required: inside the unit, use a screwdriver to adjust the hanging position.

d: To lift or lower the unit adjust the screw shown.

c: To move the unit closer or further from the wall adjust the screw shown.



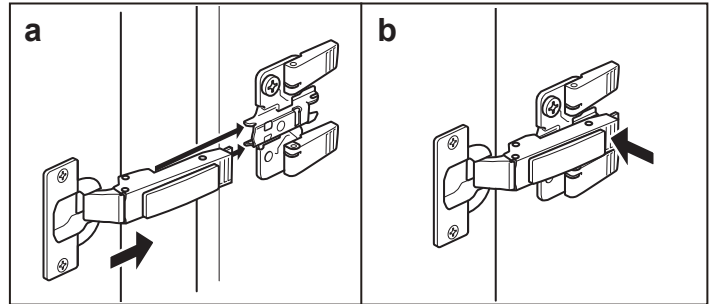
Step 5

Note: Only re-fit doors now if **not** changing the opening side.

Re-fit doors:

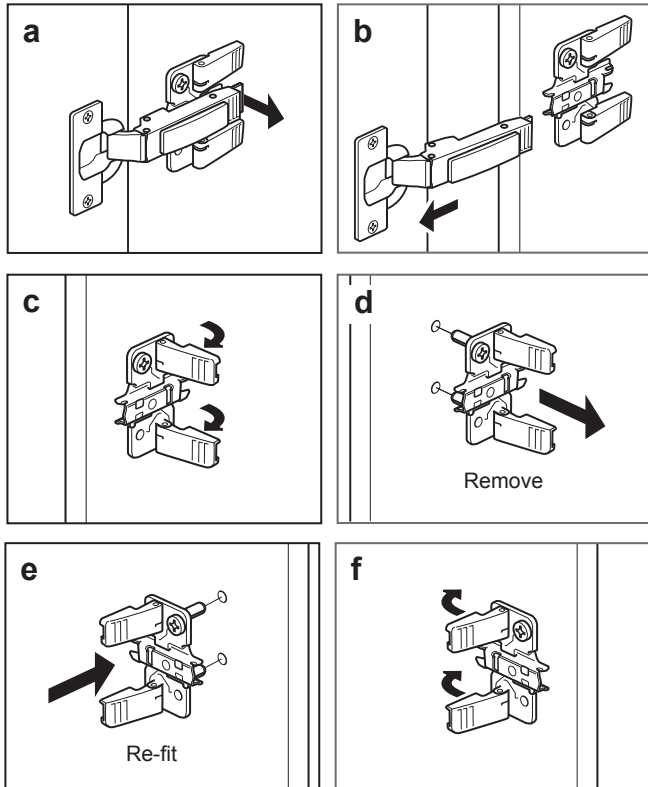
a: Reposition of hinges onto the hinge plates.

b: Push the front until the hinge 'clicks' into position.

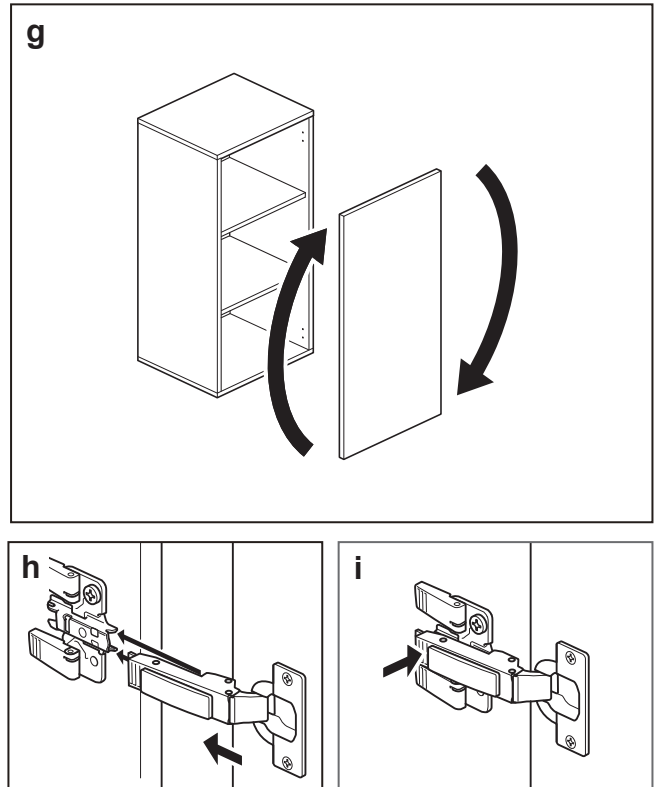


If changing the door opening side or the door alignment needs adjusting, follow the instructions on the next page.

Changing door opening side

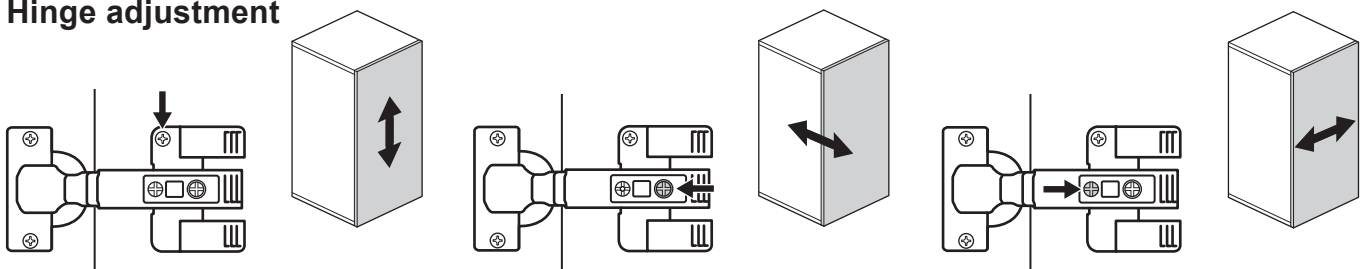


- a:** Lift tab (shown) on all hinges, to release.
b: Pull door back. **c:** Lift the hinge plate tabs.
d: Remove the hinge plates. **e:** Re-fit hinge plates on the opposite side. **f:** Fold hinge plate tabs back.



- g:** Rotate door, so hinges on the door are now on the same side as the hinge plates.
h: Reposition all hinges onto the hinge plates.
i: Push the front until the hinge 'clicks' into position.

Hinge adjustment



To move door up or down: Turn screw shown to move door up or down to suit.

To move door in or out: Turn screw shown to move door in or out to suit.

To move door left or right: Turn screw shown to move door left or right to suit.

bauhaus[✕]

For any further information please contact Bauhaus on: **0845 873 8840**

Or visit our web-site at:
www.bauhaus-bathrooms.co.uk

The manufacturer reserves the right to make technical modifications without prior notice.