

Tools & equipment needed: Drill, 8mm Suitable drill bit, 3.5mm General drill bit, Suitable size hole cutters, Phillips screwdriver, Spirit level, Ruler/tape measure, Pencil, Silicone sealant (clear).

⚠ IMPORTANT - Advice and safety - Please read before installation

Please read these instructions carefully before starting installation and keep in a safe place for future reference.

Check the contents of the pack carefully before installation. Bauhaus will not be held responsible for any de-fit / re-fit costs where faulty product has been fitted.

If any fault is found with materials or workmanship, it must be reported immediately to the manufacturer. Remedial action will be taken, based on information received, on condition that:

1. Full details are supplied to the manufacturer; 2. The product has not been modified or tampered with; 3. The manufacturer is informed of any damage/shortages prior to installation.

We do not accept responsibility for any problems that may occur through incorrect installation.

⚠ Advice & Safety

This product should only be installed by a suitably qualified Plumber/installer. Should the installation be completed by a non-qualified person any product guarantee maybe considered invalid. For a claim made under our warranty written certification of your installers qualifications can be required.

It is advised that all doors and drawers are removed prior to fitting to avoid unnecessary damage occurring.

Ensure the room is well heated and ventilated.

It is recommended that walls are fully tiled before furniture and accessory installation. This ensures that the product is installed flat to the tile face and allows product to be easily removed if required in the future.

These instructions have been prepared for your guidance, you must exercise due care at all times.

Please note that some units are heavy. Always take care when lifting, and follow health and safety guidelines. It is recommended that 2 people carry out the installation of larger basin/vanity units.

Handle glass with care. Although the glass supplied is toughened safety glass (to BS6206), impacts can damage both the glass and the furniture.

Warning! Please check for any hidden pipes or electrical cables before drilling holes in the floor or walls.

When using power tools always follow the manufacturer's user instructions.

Care & Cleaning

NEVER use products containing bleach, cleaners of a gritty or abrasive nature or so called "glass and mirror" cleaning products. Use a well wrung chamois leather or micro fibre cloth for furniture carcasses.

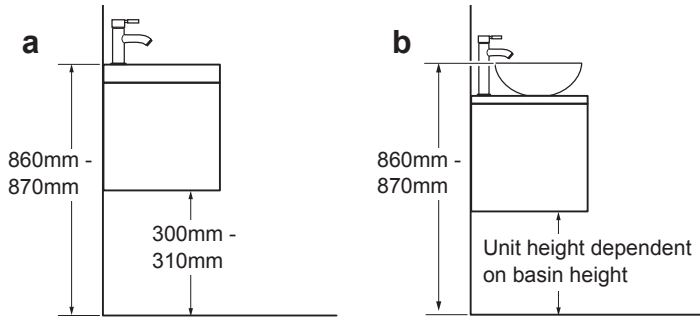
Resin wash basins should only be cleaned with a mild detergent or warm soapy water; in hard water areas a good quality lime-scale remover can be applied.

Clean mirrors only with a micro fibre cloth.

If any maintenance is required then it must be carried out by a qualified Plumber.

Single Door Basin Unit & Basin Installation - 500 Basin Unit is shown as a typical example

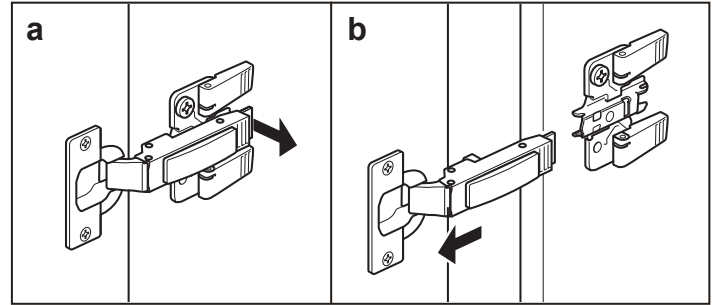
Step 1



Plan unit position - a: Basin - b: Worktop / basin

Decide on the position and height of the unit. The recommended basin height is between 860mm and 870mm.

Step 2



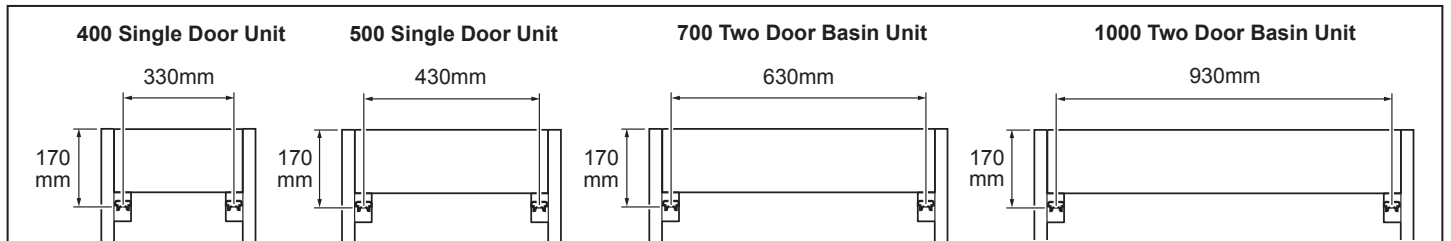
Remove the door/s before installation.

a: Lift the tab (shown) on all hinges, to release.

b: Pull door/s back.

Step 3

Note: The 1000 Two Door Basin Unit can be hung using either 'the Hanging hooks' or 'Wall brackets' depending on your requirements.



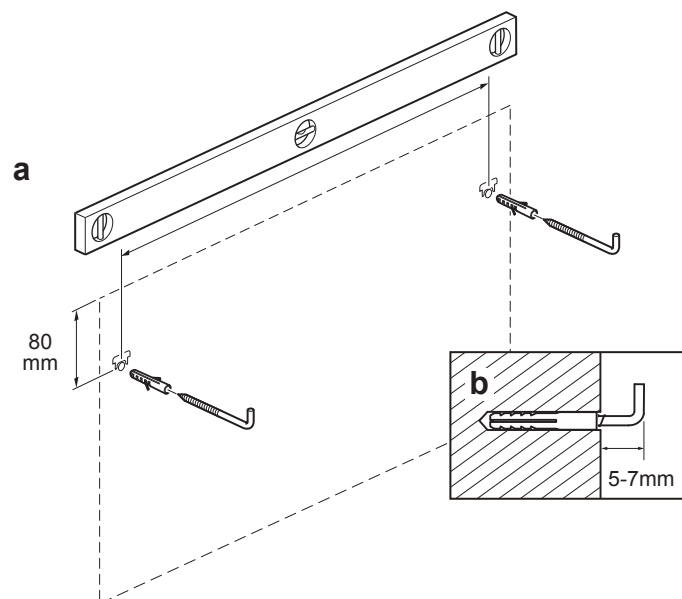
'Hanging hook' - All Basin Units

Use the measurements above, to position the 'hanging hooks'.

a: Mark the fixing hole positions onto the wall.

Drill \varnothing 8mm holes, insert the wall plugs and the 'hanging hooks'.

b: The 'hanging hooks' should protrude from the wall by 5-7mm. Position the unit on the hanging hooks.



'Wall bracket' option - 1000 Two Door Basin Unit Only

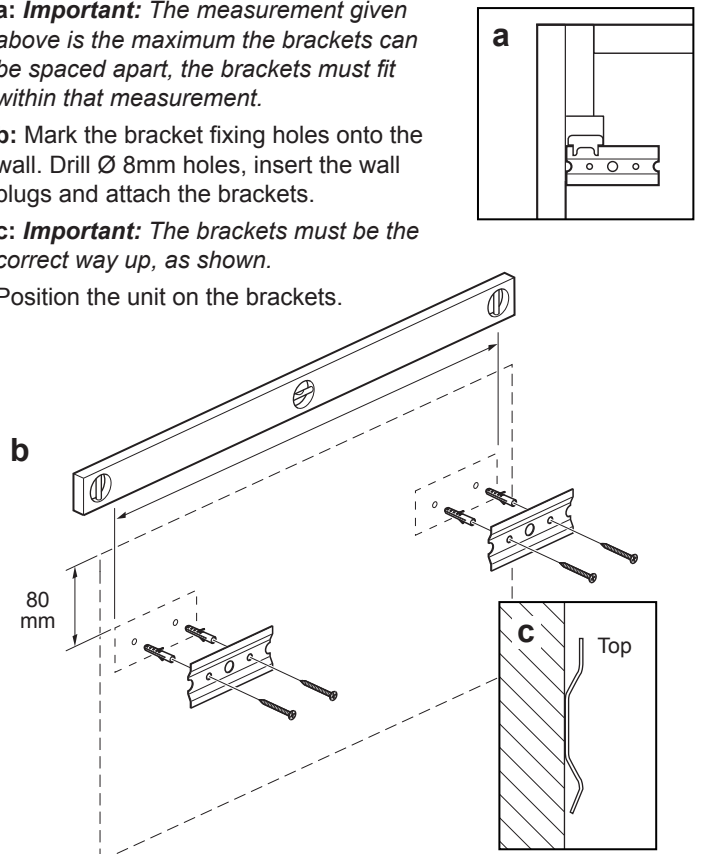
Use the measurement above, to position the 'wall brackets'.

a: Important: The measurement given above is the maximum the brackets can be spaced apart, the brackets must fit within that measurement.

b: Mark the bracket fixing holes onto the wall. Drill \varnothing 8mm holes, insert the wall plugs and attach the brackets.

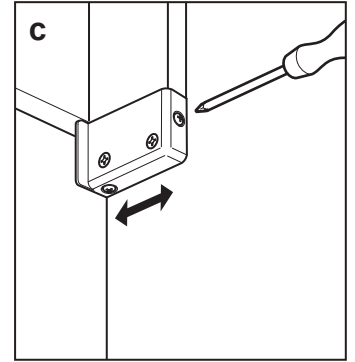
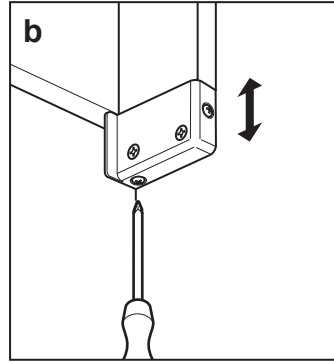
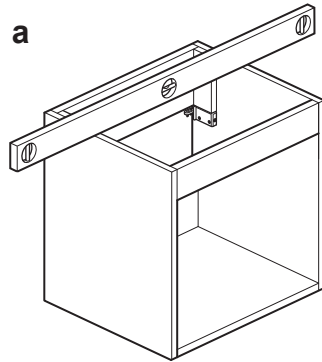
c: Important: The brackets must be the correct way up, as shown.

Position the unit on the brackets.



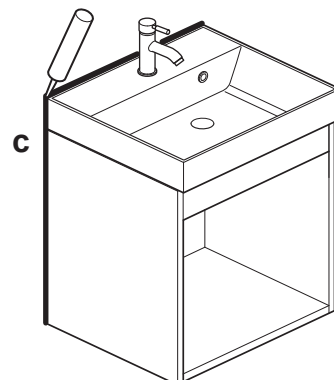
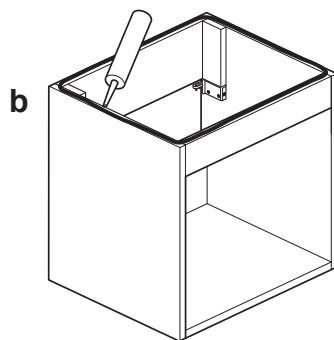
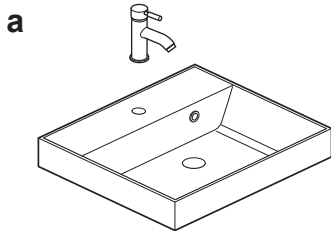
Step 4

- a:** Check the unit is level.
If leveling is required: inside the unit, use a screwdriver to adjust the hanging position.
- d:** To lift or lower the unit adjust the screw shown.
- c:** To move the unit closer or further from the wall adjust the screw shown.



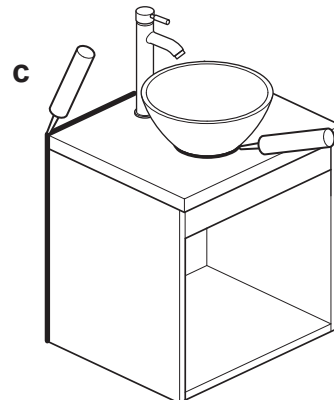
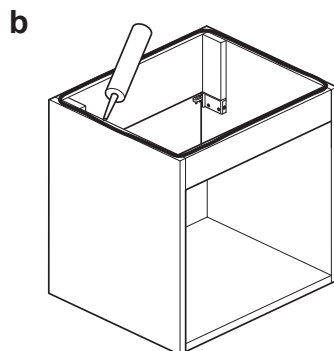
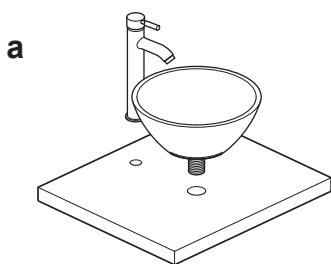
Step 5

Basin Installation



- a:** Attach the tap to basin and carefully bed in the waste using silicone **only**.
- b:** Carefully apply silicone to the top edges of the unit.
- c:** Carefully position the basin down onto the unit, ensure it is centrally positioned and flush at the back.
- Connect the tap and waste.
Apply silicone to the join between the basin and wall and down sides of the unit.
Leave silicone, 24 hours to dry.

Worktop / Basin Installation



Important: All cut edges **MUST** be sealed with water proof sealant or exterior wood varnish.

- a:** Prepare worktop for tap/s and basin. Cut holes where required using a suitable sized hole cutter.
- b:** Carefully apply silicone to the top edges of the unit.
- c:** Carefully position the worktop down onto the unit, ensure it is centrally positioned and flush at the back.
- Connect the tap and waste.
Apply silicone to the join between the worktop and wall, down sides of the unit and around the base of the basin.
Leave silicone, 24 hours to dry.

Step 6

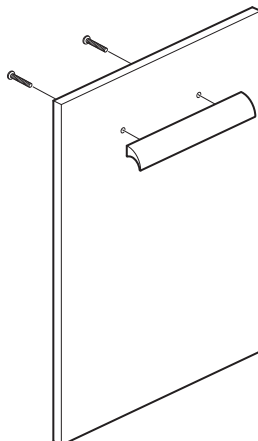
400 & 500 Single door units

Note: Only attach the handle now if **not** changing the opening side (see next page).

Attach handle: Attach the handle to the door front.

700 Two door unit

Attach handles (pre-fitted on inside of doors): Attach the handles to the door fronts.



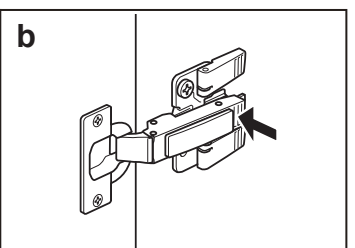
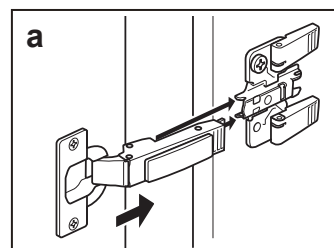
Step 7

Note: Only re-fit door now if **not** changing the opening side (see next page).

Re-fit door:

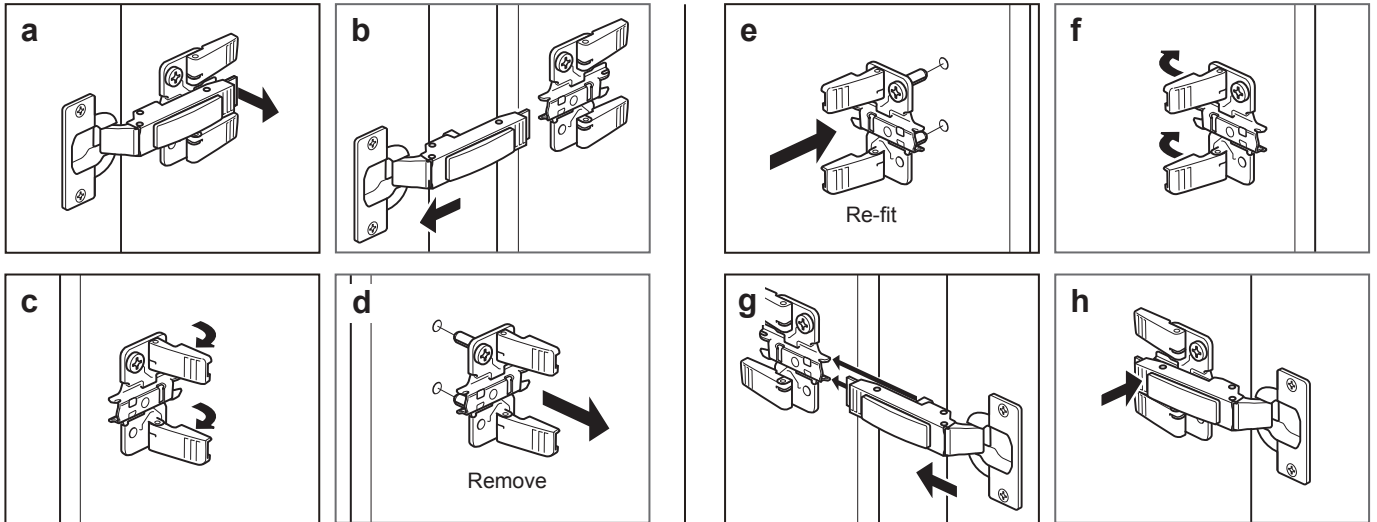
a: Reposition both hinges onto the hinge plates.

b: Push the front until the hinge 'clicks' into position.



If changing the door opening side or the door alignment needs adjusting, follow the instructions below.

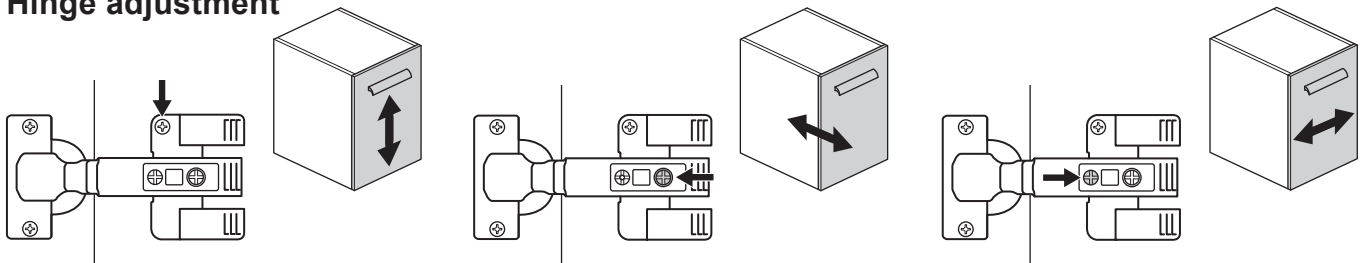
Changing door opening side



a: Lift tab (shown) on both hinges, to release the hinges.
b: Pull door back. **c:** Lift the hinge plate tabs. **d:** Remove the hinge plates.

e: Re-fit both hinge plates on the opposite side. **f:** Fold hinge plate tabs back. **g:** Rotate door. Reposition both hinges onto the back plates. **h:** Push the front until the hinge 'clicks' into position. Attach the handle to the top set of holes on the door.

Hinge adjustment



To move door up or down: Turn screw shown to move door up or down to suit.

To move door in or out: Turn screw shown to move door in or out to suit.

To move door left or right: Turn screw shown to move door left or right to suit.

bauhaus

For any further information please contact
 Bauhaus on: **0845 873 8840**

Or visit our web-site at:
www.bauhaus-bathrooms.co.uk

The manufacturer reserves the right to make technical
 modifications without prior notice.