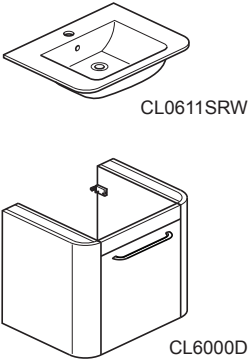
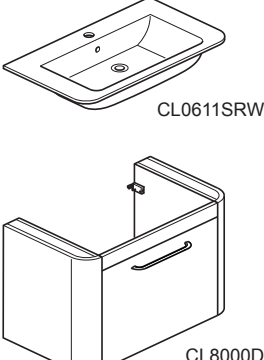
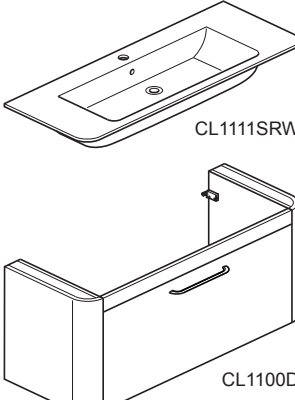
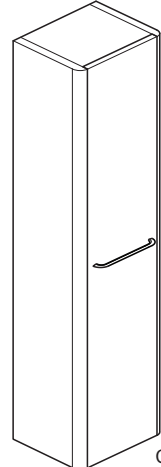
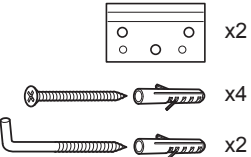
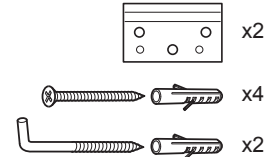
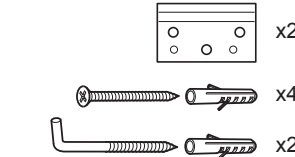



600 Single Drawer Basin Unit & Basin	800 Single Drawer Basin Unit & Basin	1100 Single Drawer Basin Unit & Basin	Tower Storage Unit
 <p>CL0611SRW CL6000D 39kg with basin</p>	 <p>CL0611SRW CL8000D 49kg with basin</p>	 <p>CL1111SRW CL1100D 60kg with basin</p>	<p>Including 1 pre-fitted shelf and 2 adjustable shelves</p>  <p>CL3516F 27kg</p>
 <p>x2 x4 x2</p>	 <p>x2 x4 x2</p>	 <p>x2 x4 x2</p>	 <p>x2</p>

Tools & equipment needed: Drill, 8mm Suitable drill bit, Phillips screwdriver, Spirit level, Ruler/tape measure, Pencil, Silicone sealant (clear).

⚠ IMPORTANT - Advice and safety - Please read before installation

Please read these instructions carefully before starting installation and keep in a safe place for future reference. ENSURE the room is well heated and ventilated.

Check the contents of the pack carefully before installation. Bauhaus will not be held responsible for any de-fit / re-fit costs where faulty product has been fitted.

If any fault is found with materials or workmanship, it must be reported immediately to the manufacturer. Remedial action will be taken, based on information received, on condition that: 1. Full details are supplied to the manufacturer; 2. The product has not been modified or tampered with; 3. The manufacturer is informed of any damage/shortages prior to installation. 4. The product has not been installed, or attempts have been made to install.

We do not accept responsibility for any problems that may occur through incorrect installation.

⚠ Advice & Safety

This product should be only be installed by a suitably qualified Plumber/ installer. Should the installation be completed by a non-qualified person any product guarantee maybe considered invalid. For a claim made under our warranty written certification of your installers qualifications can be required.

It is advised that all doors and drawers are removed prior to fitting to avoid unnecessary damage occurring.

It is recommended that the furniture and accessories are installed after tiling, ensuring that the product is installed flat to the tile face and allows product to be easily removed if required in the future.

This document has been prepared for your guidance, you must exercise due care at all times.

Please note that some units are heavy. Always take care when lifting, and follow health and safety guidelines. It is recommended that 2 people carry out the installation of larger basin/vanity units.

Warning! Please check for any hidden pipes or electrical cables before drilling holes in the floor or walls.

When using power tools always follow the manufacturer's user instructions.

This installation guide details fitting to a solid wall. If your bathroom has studded/plasterboard walls, please use appropriate plasterboard fixings. Please ensure the wall can take weight of units detailed above. Before installing a wooden bathroom unit into a new property, extension or recently plastered room we strongly advise the building/room is completely dry, well ventilated and adequately heated.

Important pre-installation notes

To ensure full working use of the drawers we recommend the use of Bauhaus basin furniture trap BTR0410W.

Care & Cleaning

Cast mineral marble products should be cleaned regularly with warm soapy water, then rinsed with clean water and, if desired, dried and polished with a soft cloth. Lime scale deposits can be removed using a 50:50 solution of warm water and lime scale remover and soft clean cloth. We recommend regular cleaning with Bauhaus Cream Polish SD150RW, specially formulated to clean and help protect the surface of cast mineral marble basins.

Do not use abrasive cleaners or bleach in this will permanently damage the high gloss surface.

Use a well wrung chamois leather or micro fibre cloth to clean furniture carcasses.

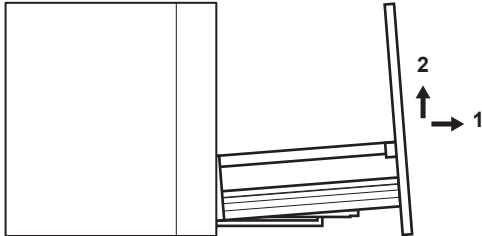
If any maintenance is required then it must be carried out by a qualified Plumber.

The manufacturer reserves the right to make technical modifications without prior notice.

Basin & Basin Unit Installation - 600 Unit is shown as a typical example

Step 1

Remove the drawer before installation. Pull the drawer fully out (1) and lift the front (2) as shown.

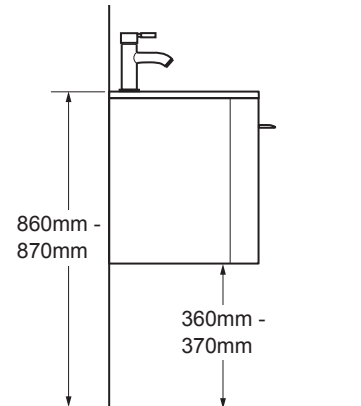


Step 2

Plan unit position

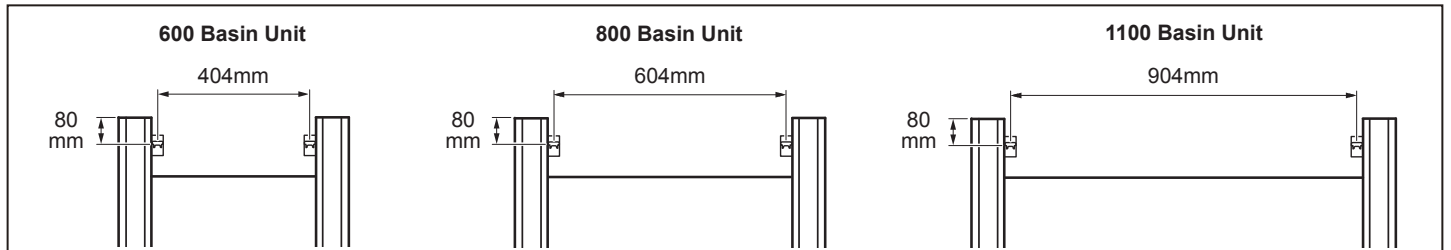
Decide on the position and height of the unit.

The recommended basin height is between 860mm and 870mm from floor to top of basin.



Step 3

Note: The Units can be hung using one of two options, 'Hanging hooks' or 'Wall brackets' depending on your requirements and wall structure. It is recommended to use the bracket option on non-solid walls.



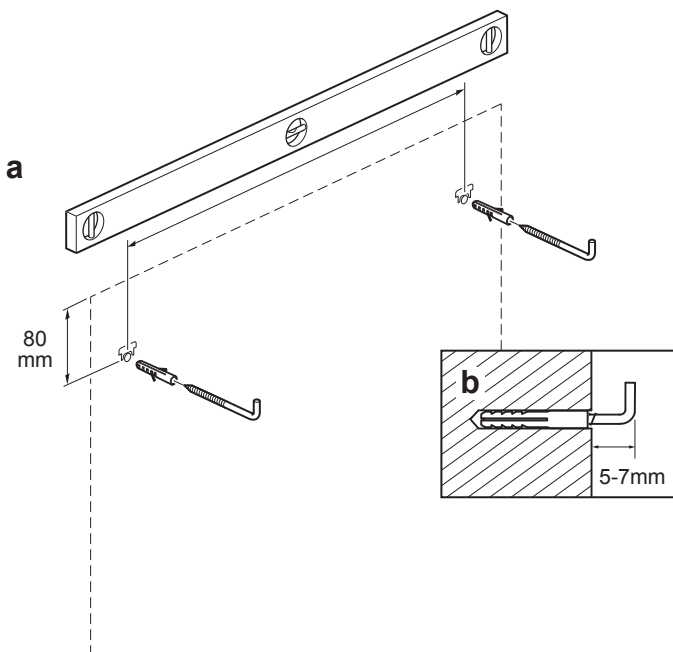
'Hanging hook' installation

Use the measurements above, to position the 'hanging hooks'.

a: Mark the fixing hole positions onto the wall.

Drill Ø 8mm holes, insert the wall plugs and the 'hanging hooks'.

b: The 'hanging hooks' should protrude from the wall by 5-7mm. Position the unit on the hanging hooks.



'Wall bracket' installation

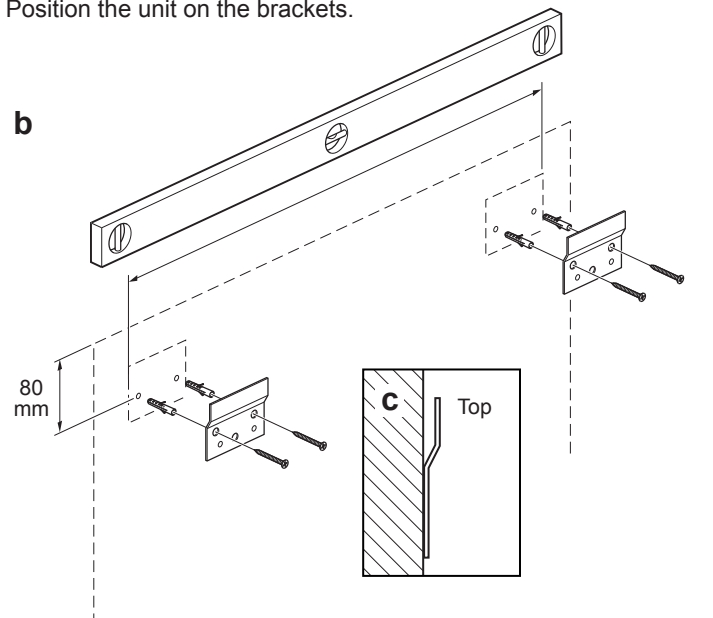
Use the measurements above, to position the 'wall brackets'.

a: Important: The measurements given above are the maximum the brackets can be spaced apart, the brackets must fit within that measurement.

b: Mark the bracket fixing holes onto the wall. Drill Ø 8mm holes, insert the wall plugs on solid walls and attach the brackets (c).

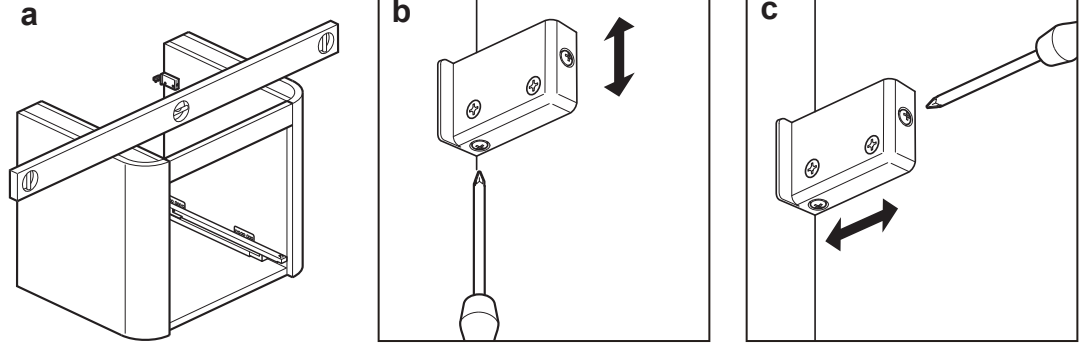
Important: If the basin unit and/or basin are not fitted level this may result in the basin not draining correctly.

Position the unit on the brackets.

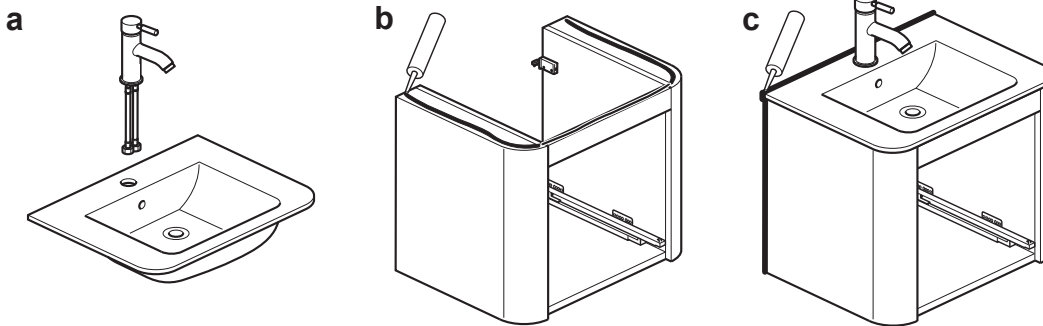


Step 4

- a:** Check the unit is level. If levelling is required, use a screwdriver to adjust the hanging position, as follows:
- b:** To lift or lower the unit, adjust the screw shown.
- c:** To move the unit closer or further from the wall, adjust the screw shown.



Step 5



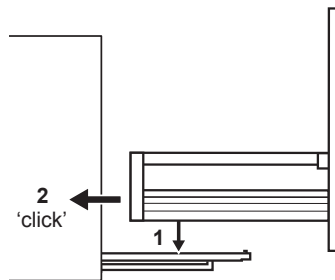
- a:** Attach the tap to basin and carefully bed in the waste using silicone **only**.
- b:** Carefully apply silicone to the top edges of the unit.
- c:** Carefully position the basin down onto the unit, ensure it is centrally positioned and flush at the back.
- Connect the tap and waste. Apply a bead of silicone to the join between the basin/unit and wall, on all 4 sides.
- Leave silicone, 24 hours to dry.

Note: Basin waste and tap fittings when over tightened can create stress within the basin material which may in time cause the failure of the product. Waste fittings should be carefully bedded in silicone and the back nut hand tightened an

additional quarter turn using a suitable spanner is sufficient to create the required watertight seal. Care should also be taken when fitting brassware to tap platforms in order to prevent similar stress related failures.

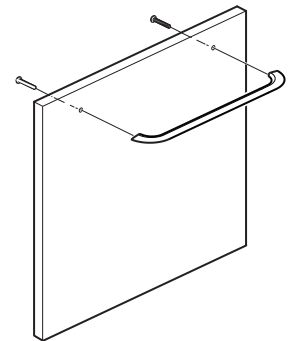
Step 6

- Re-fit drawer:** Pull both drawer runners fully out.
- 1:** Set the drawer down onto the runners.
- 2:** Push the drawer fully in until it locks (click).
- Test to make sure the drawer operates correctly.



Step 7

- Attach drawer handle** (pre-fitted on inside of drawer): Attach the handle to the drawer front.

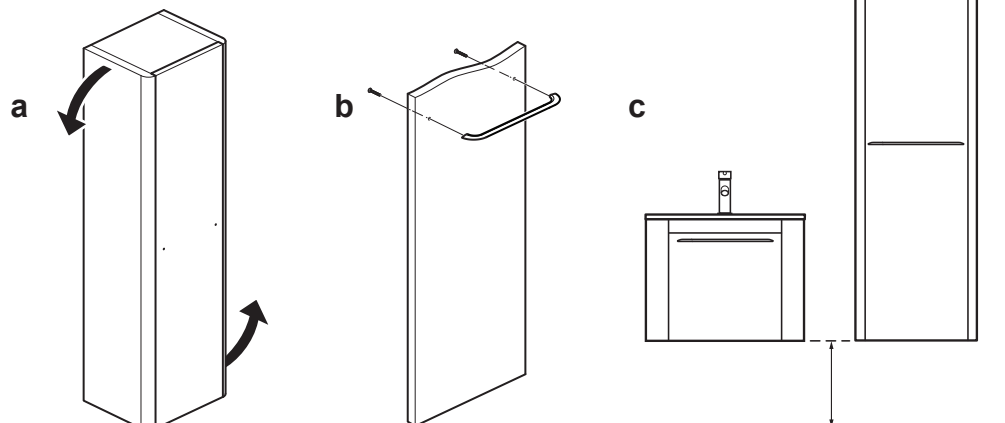


Tower Storage Unit Installation

Step 1

The storage unit is designed to offer universal left/right hand door opening without removal of hinges.

- a:** Decide on the opening side of the door. Rotate the whole unit to change the opening side.
- b:** Attach the door handle (pre-fitted on inside of door).
- c:** We suggest positioning the tower storage unit so it is level with any other units that have been installed.



Step 2

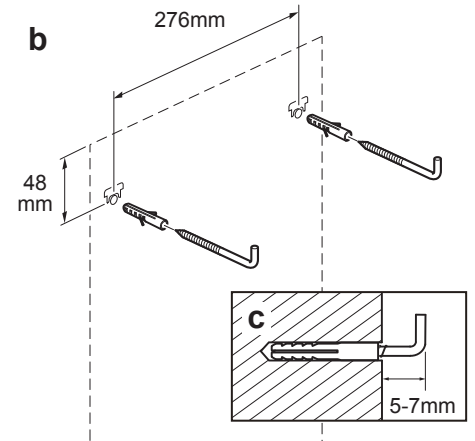
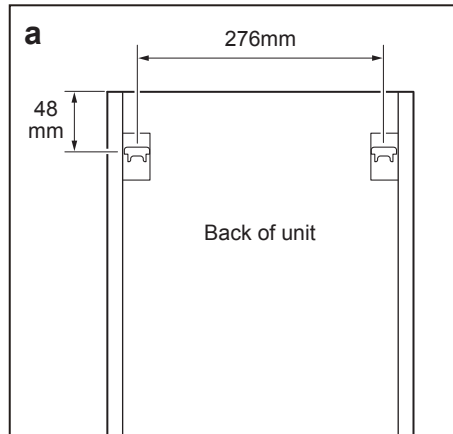
a: Use the measurements opposite, to position the 'hanging hooks'.

b: Mark the fixing hole positions onto the wall.

Drill \varnothing 8mm holes, insert the wall plugs and the 'hanging hooks'.

c: The 'hanging hooks' should protrude from the wall by 5-7mm.

Position the unit on the hanging hooks.



Step 3

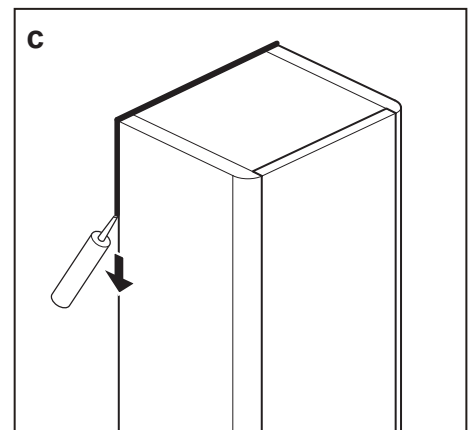
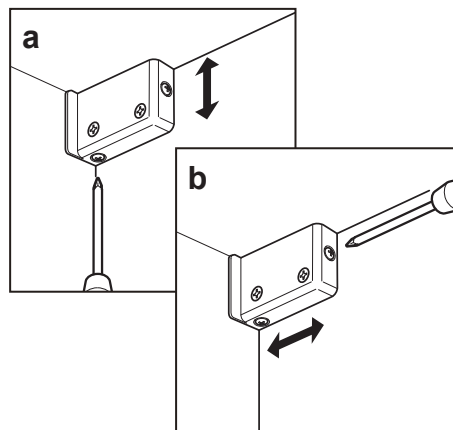
Check the unit is level. If levelling is required: inside the unit, use a screwdriver to adjust the hanging position.

a: To lift or lower the unit, adjust the screw shown.

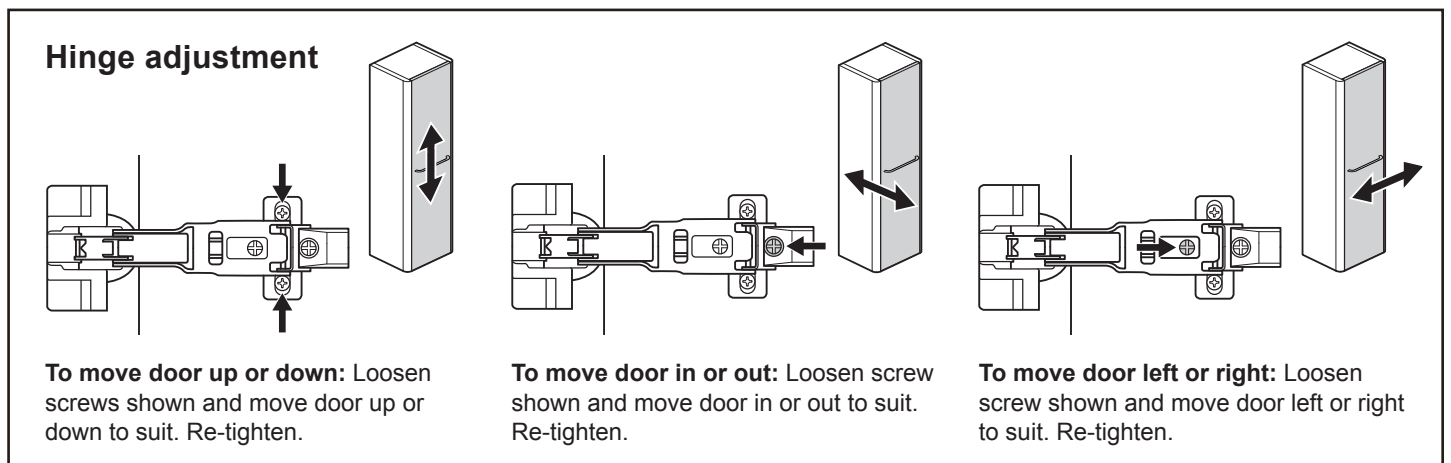
b: To move the unit closer or further from the wall, adjust the screw shown.

c: Once levelled, apply a bead of silicone to the join between the unit and wall, on all four sides.

Leave silicone, 24 hours to dry.



If the alignment of the door needs adjusting, follow the instructions below.



Important information

All ceramic sanitary ware is subject to the limitations of the manufacturing process. Unlike machine finished products, natural clay based products shrink and move during high temperature firing and, because it is not possible to control this process absolutely, minor variations in the dimensional tolerance, form and surface of the finished products will occur.

Before installing a wooden bathroom into a new property, extension or recently plastered room we strongly advise the building/room is completely dry, well ventilated and adequately heated.

bauhaus

For any further information please contact Bauhaus on: **0845 873 8840**

Or visit our web-site at:
www.bauhaus-bathrooms.co.uk

The manufacturer reserves the right to make technical modifications without prior notice.