

# Technical details

The innovative digital processor forms the core of our digital shower, containing technology that controls and monitors the water's flow and temperature.

## *Brushless pump*

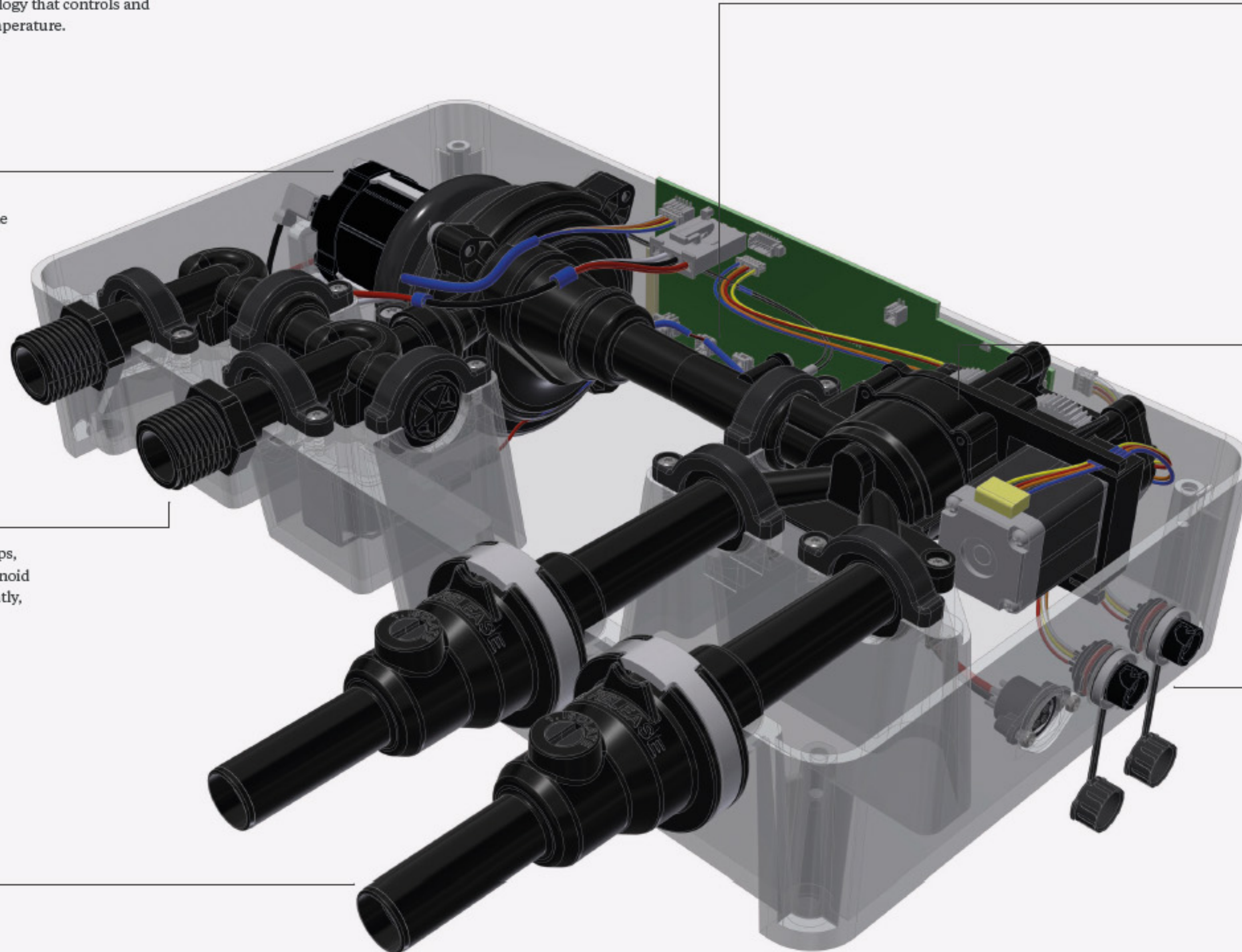
Our low-pressure digital shower has a built-in pump that boosts the water pressure to 1.5 bar. It uses a brushless motor, which is much quieter and more efficient than conventional brushed motors.

## *Solenoid valves*

If the hot or cold water supply stops, or there's a power failure, the solenoid valves will shut off the flow instantly, offering total peace of mind.

## *Push-fit isolation valves*

The hot and cold water isolation valves allow you to isolate your water supply without having to switch it off at the mains. The product has been designed to make maintenance as easy as possible.



## *Temperature thermistor*

The built-in thermistor monitors the temperature of incoming water 10 times every second, ensuring it's constantly as close as possible to the set temperature.

## *Flühs ceramic cartridge*

The highly reliable Flühs ceramic cartridge lies at the heart of the processor. It's controlled by a stepper motor, and automatically mixes the hot and cold water.

## *Push-fit electrics*

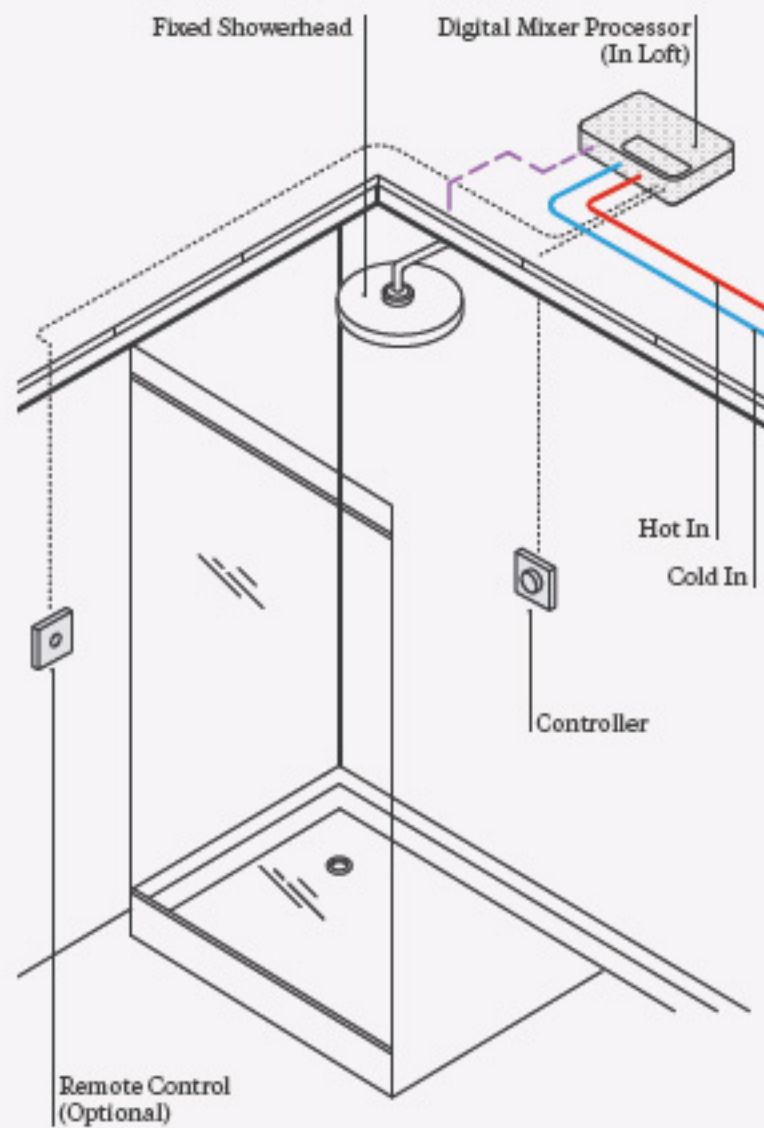
Simple, push-fit twist and lock electrical cables ensure there is no need to go inside the digital processor to set up the shower. It also makes maintenance a simple task.

# Installation

The digital processor can be installed in a few different locations depending on the layout of your bathroom and your own preferences. Whatever you choose, it will be discreetly hidden out of sight. The processor can be fitted up to 10 metres away from the control unit.

## Loft installation

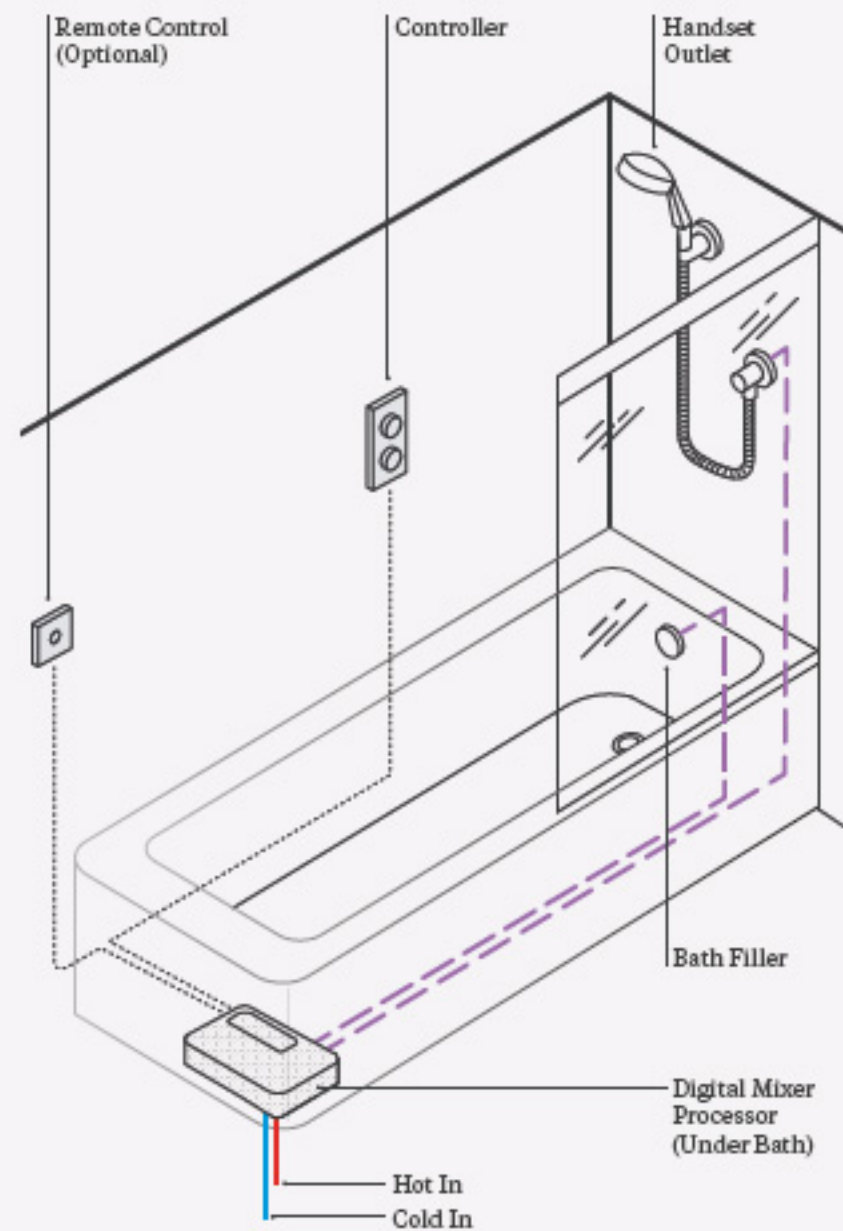
This layout is ideal if you have loft space directly above your bathroom.



- Pipework Out (Mixed Water)
- Pipework In (Cold)
- Pipework In (Hot)
- ..... Controller Cable

## Under-bath installation

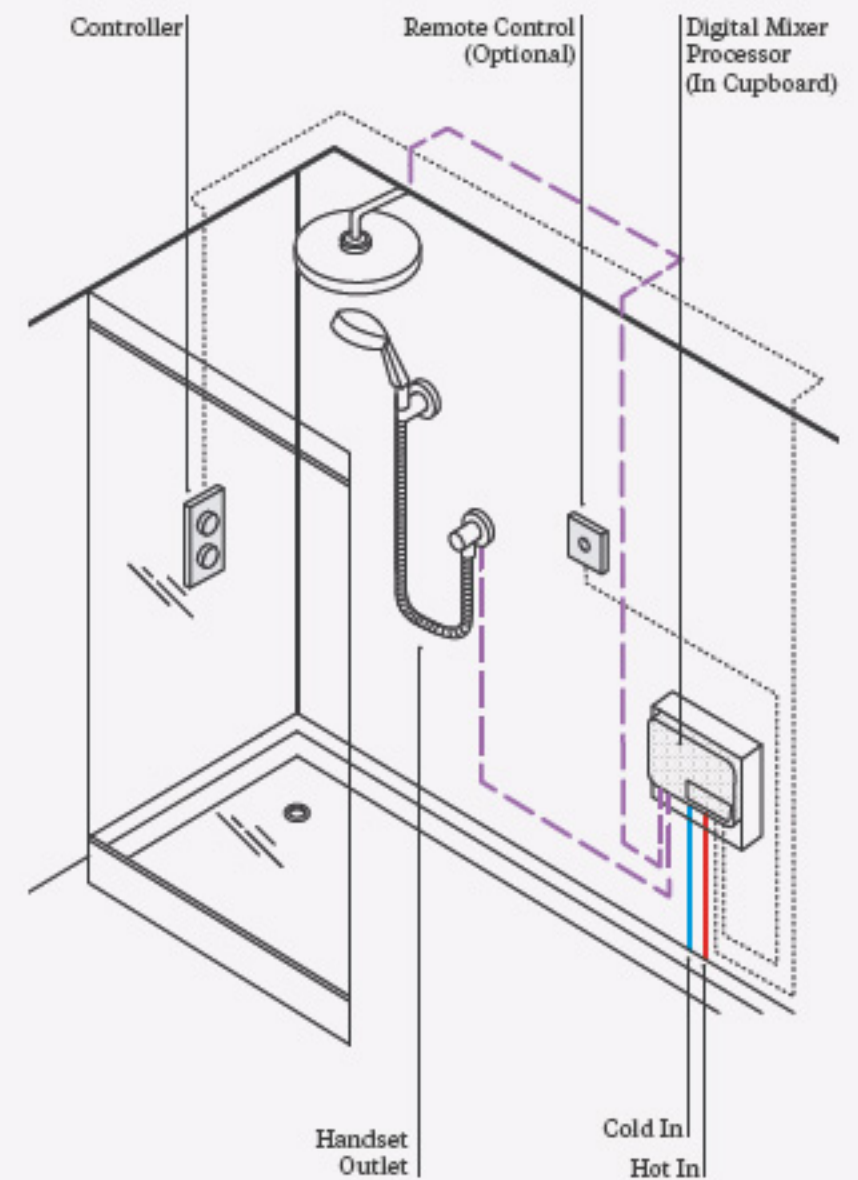
If you have an over-bath shower, there may be space to hide the processor behind the bath panel.



- Pipework Out (Mixed Water)
- Pipework In (Cold)
- Pipework In (Hot)
- ..... Controller Cable

## Cupboard installation

The digital processor and power cables can be concealed in an adjacent cupboard.



- Pipework Out (Mixed Water)
- Pipework In (Cold)
- Pipework In (Hot)
- ..... Controller Cable