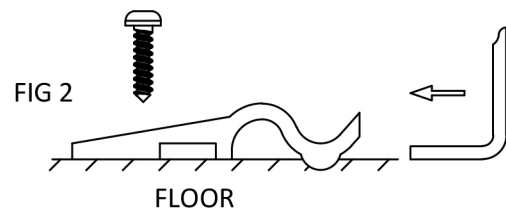
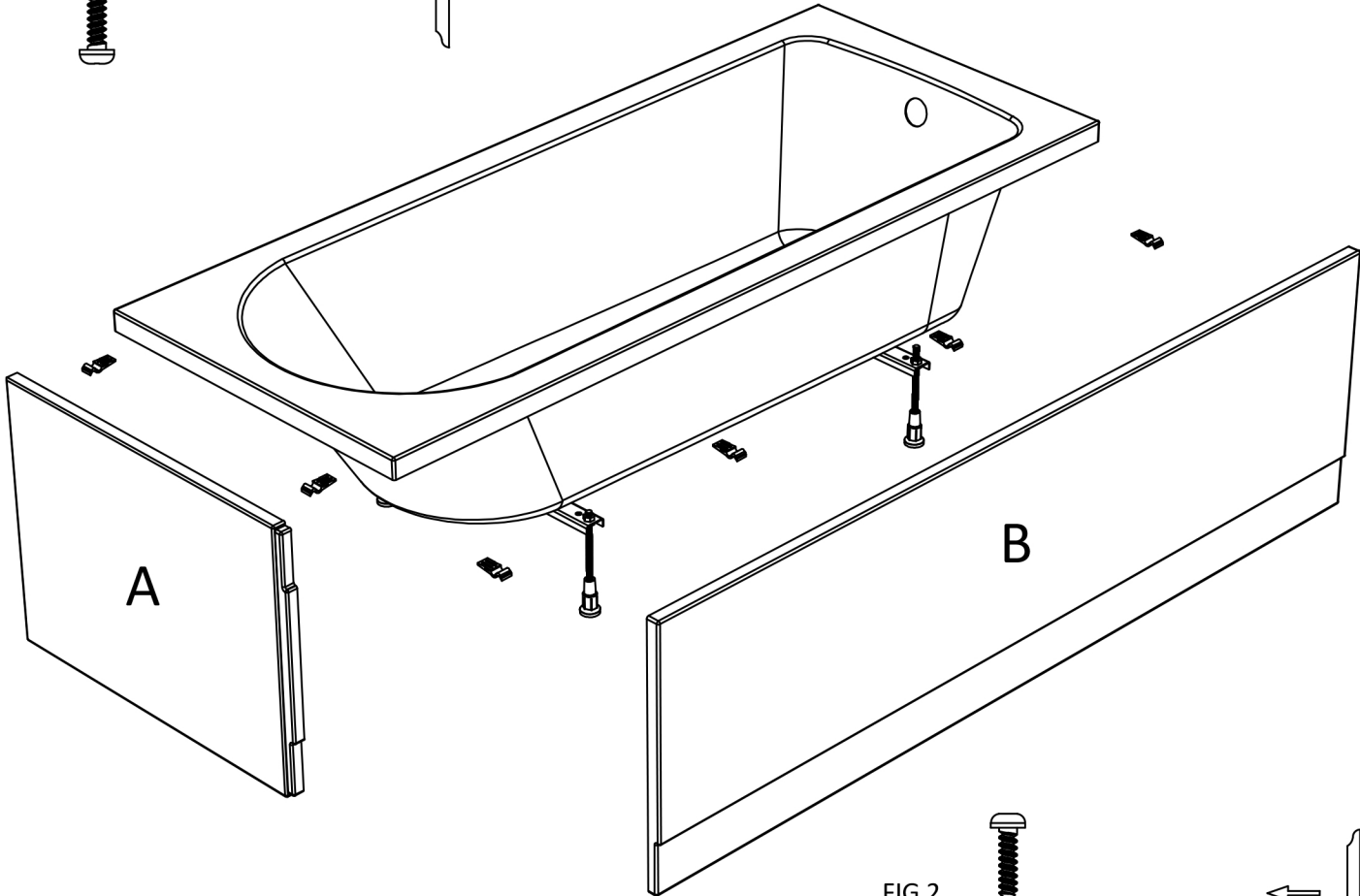
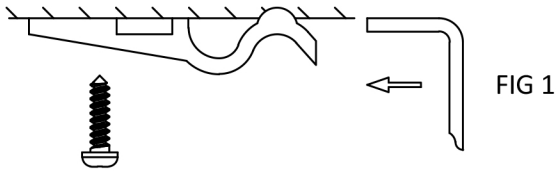


PANEL FIXING INSTRUCTION

SUPPORT BLOCK UNDER
BATH TOP FACE



Should the cutting of panels be necessary (due to water pipes or skirting board) use a small fine toothed saw or sharp knife. **Please use appropriate care and safety equipment**

1. Fit both panels in position. Locate top flanges of the panel between the support block and panel clip (Fig 1).
2. Ensure both panels are set vertical and that end panel (A) is located behind the front panel.
3. For the floor - Secure panel clips for the front panel to the floor directly in-line with the clips fitted to the bath (panel clips for the end panel) Fig 2
4. To secure the panel to the wall use a piece of timber secured to the wall vertically. Small screws can be used to secure the panel against the timber. Alternatively, Velcro or Magnetic Strips will secure in a neat fashion.

MAINTENANCE

Acrylic surface can be easily cleaned right after the water has been drained. Remove sediment with a soft cloth or sponge soaked in a liquid detergent (gel, soap, shampoo).

Do not use detergents containing abrasive components as they wear and tarnish the acrylic surface. The acrylic surface is resistant to acid and alkaline reactions. However, it needs to be protected from: organic solvents, fire and other sources of high temperature (lit cigarette, match), blows with objects (heavy or otherwise) with sharp or hard edges.